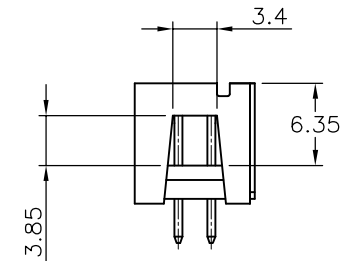
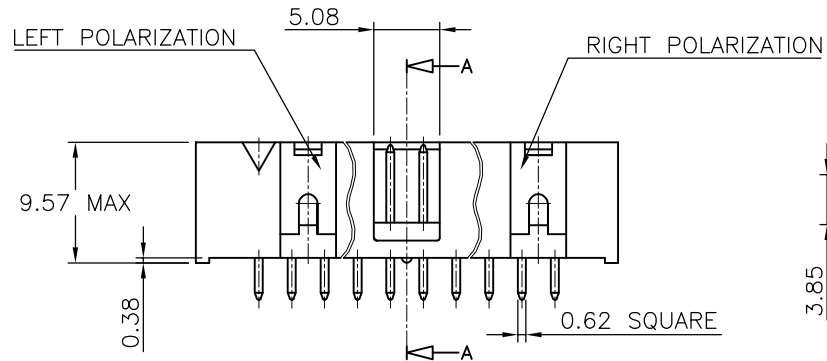
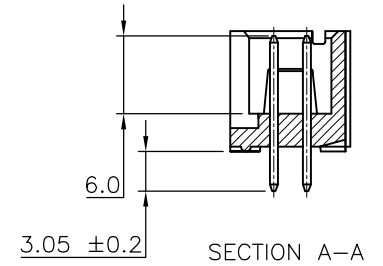
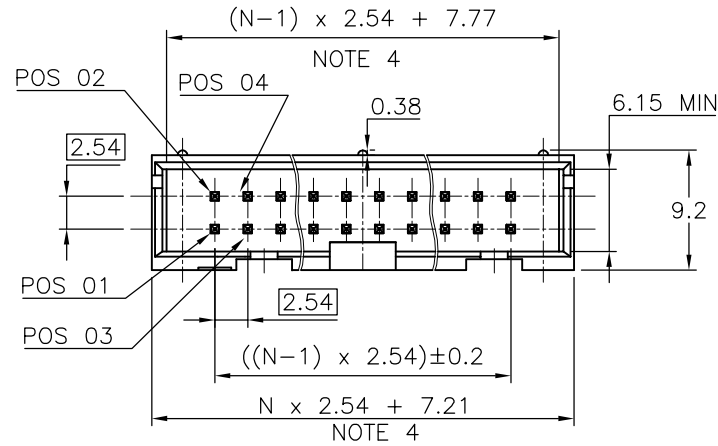


PRODUCT NUMBER  
10087122-7XXLF

PLATING  
0.05µm Au FULL PLATED  
OVER 1.27µm Ni MIN

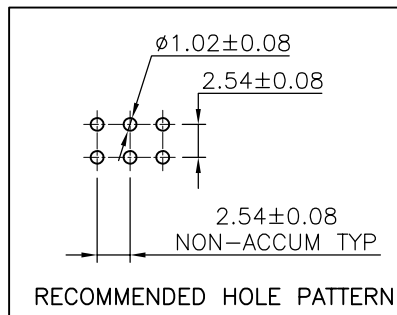
INDICATES THE PRODUCT IS RoHS  
COMPATIBLE, SEE NOTE 5

PIN STYLE	SIZE	MISSING PIN
06	2x3	
08	2x4	
09	2x4	POS 01
10	2x5	
14	2x7	
16	2x8	
18	2x9	
20	2x10	
26	2x13	
30	2x15	
34	2x17	
40	2x20	
44	2x22	
50	2x25	
60	2x30	
64	2x32	



NOTES:

- 1 - HOUSING MAT'L : GLASS FILLED THERMOPLASTIC. UL94V-0 COLOR: BLUE
- 2 - PIN MATERIAL : BRASS
- 3 - PRODUCT PACKAGED IN TUBES.
- 4 - TO DETERMINE DIMENSIONS :  
N = NUMBER OF POSITIONS PER ROW  
EXAMPLE : 8 POS N x 2.54 = 20.32mm
- 5 - RoHS COMPATIBLE PRODUCT SPECIFICATIONS
  - a - PLATING:  
- "LF" MEANS THE PRODUCT IS LEAD-FREE, 2µm MINIMUM MATTE TIN OVER 1.27µm MINIMUM NICKEL UNDERPLATE.
  - b - MANUFACTURING PROCESS COMPATIBILITY  
- THE HOUSING WILL WITHSTAND EXPOSURE TO 260°C ±5°C SOLDER BATH TEMPERATURE FOR 5 SECONDS IN A WAVE SOLDER APPLICATION WITH A 1.6mm MIN THICK CIRCUIT BOARD.
  - c - LABELLING:  
- MEETS PACKAGING SPECS AS PER GS-14-920
  - d - LEGAL STATEMENT: SEE GS-47-0004



mat'l. code		surface ISO 1302	tolerance ISO 406 ISO 1101	projection	product family QUICKIE
ltr ecn no dr date		tolerances unless otherwise specified		mm	title QKIE SSLIM HDR STR 0.05µm AU
A	F08-0149	LMU	08.03.27		
B	B-19070	LMU	14.10.15	.XX ±0.13	scale 2.5:1
C	B-19564	BVE	14.12.01	.XXX ±0.05	
D	F-28652	LMU	17.11.30	dr J.COMPAGNON 08.03.07	dwg no
			enr L.MULIN 08.03.07	appr L.MULIN 08.03.07	sheet 1 of 1 size
sheet index		revision			10087122 A3
sheet 17.11.30					type CUSTOMER Drawing