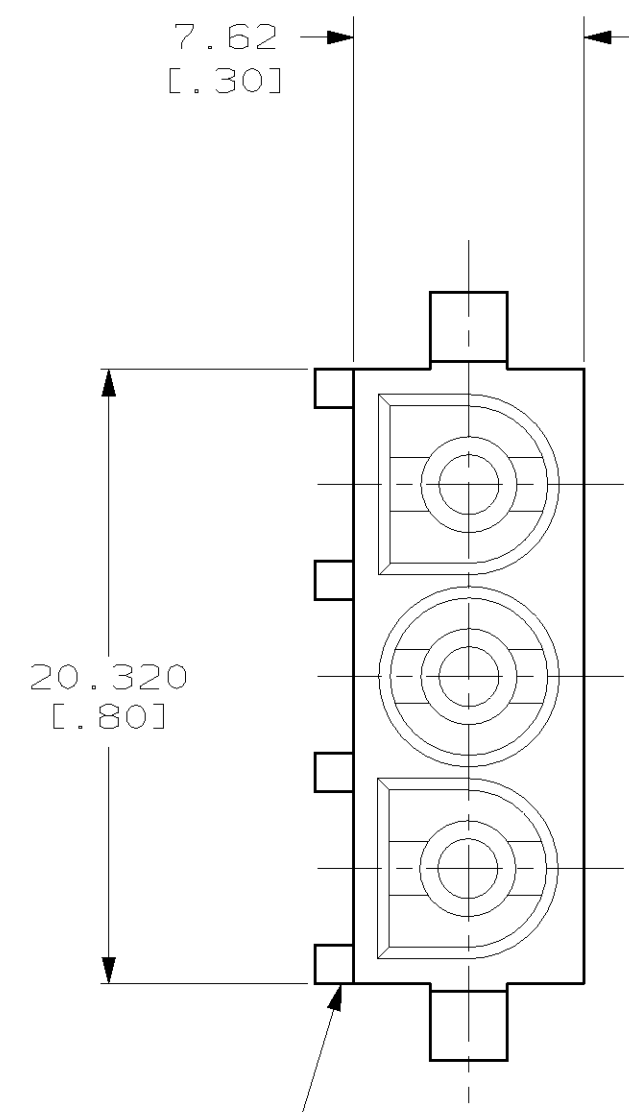


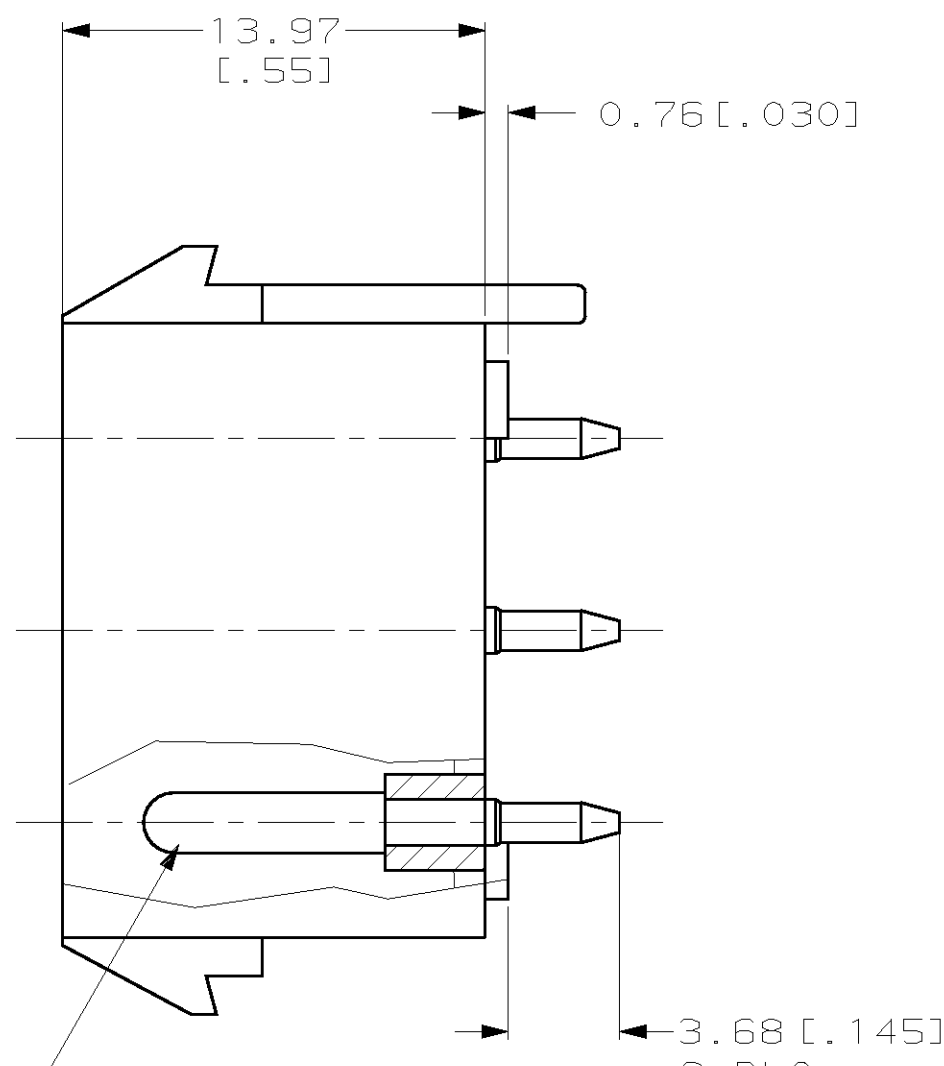
THIS DRAWING IS UNPUBLISHED. RELEASED FOR PUBLICATION
 (C) COPYRIGHT 19 BY AMP INCORPORATED. ALL RIGHTS RESERVED.

LOC	DIST	REVISIONS					
		P	LTR	DESCRIPTION	DATE	DWN	APVD
CH	11			RELEASED	26/AUG/97	DAP	-
				EC OB20-0270-98	19/FEB/98	RNP	RAR
				EC OB20-1083-98	20/AUG/98	RNP	RAR

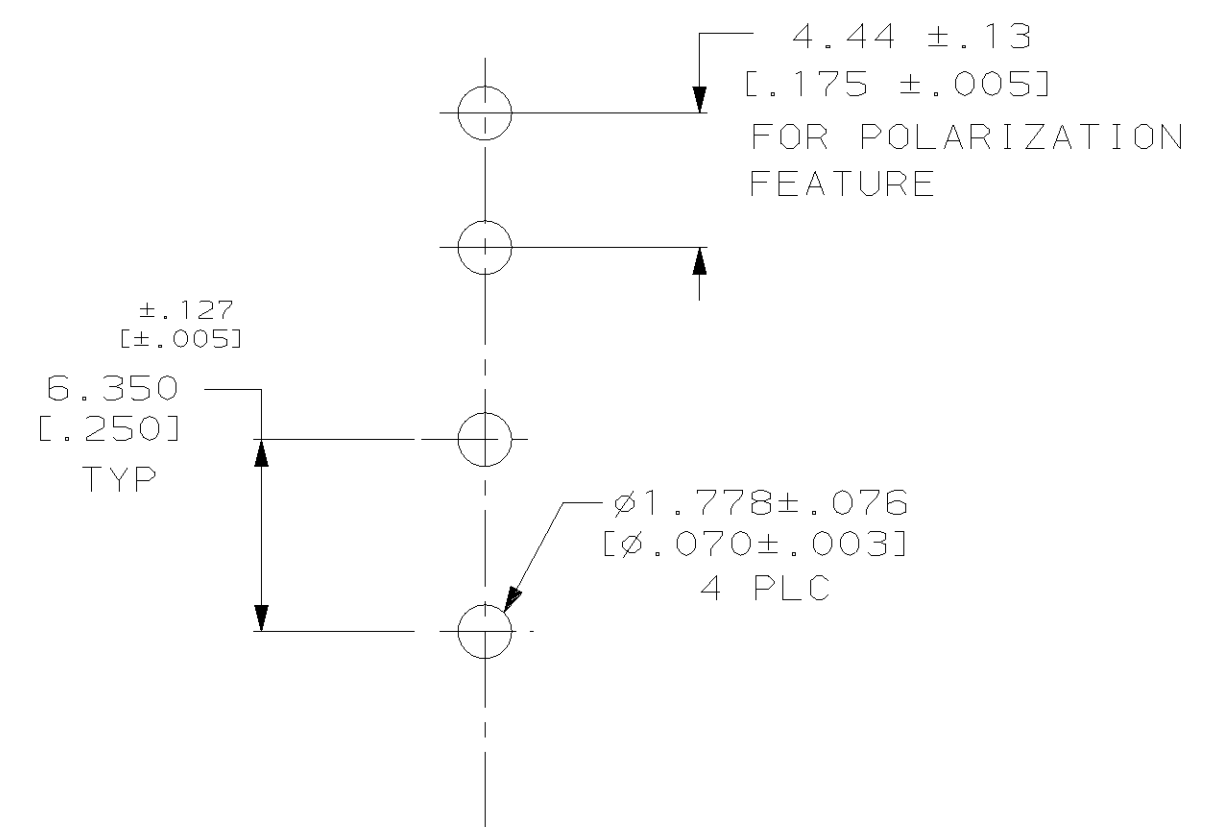
- MATES WITH MATE-N-LOK II PLUG CONNECTOR USING P/N 194211-1 OR 194213-1 SOCKET CONTACTS.
- ALL DIMENSIONS ARE REFERENCE ONLY EXCEPT P.C. LAYOUT.
- PIN CONTACTS ARE LUBRICATED.



HOUSING
 MAT'L; NYLON 94V-0



CONTACT
 MAT'L; COPPER ALLOY
 FINISH; 5.8µm [200µIN] MIN SILVER
 OVER 1.01 µm [40 µIN] MIN NICKEL



RECOMMENDED LAYOUT FOR
 1.57 [.062] THICK P.C. BOARD

THIS DRAWING IS A CONTROLLED DOCUMENT.		DWN D. A. PUERNER	26/AUG/97	AMP AMP Incorporated Harrisburg, PA 17105-3608
DIMENSIONS: mm (in)		CHK -	APVD -	
TOLERANCES UNLESS OTHERWISE SPECIFIED:		PRODUCT SPEC -		NAME HIGH CURRENT VERT. PIN HEADER ASSY. MATE-N-LOK II, 3 CIRCUIT, LUBRICATED
0 PLC ±-		APPLICATION SPEC -		
1 PLC ±-		WEIGHT -		SIZE A2
2 PLC ±-		CUSTOMER DRAWING		CAGE CODE 00779
3 PLC ±-				DRAWING NO C-194261
4 PLC ±-				SCALE -
ANGLES ±-				SHEET 1 OF 1
MATERIAL -				REV B