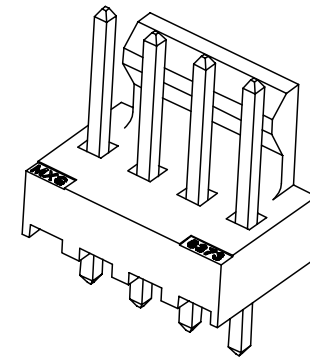
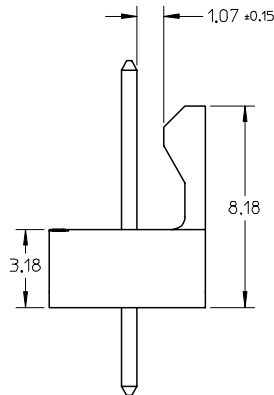
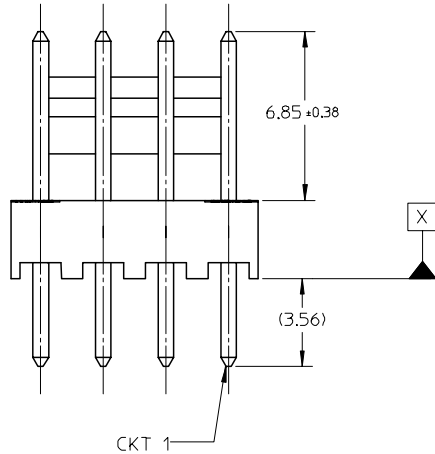
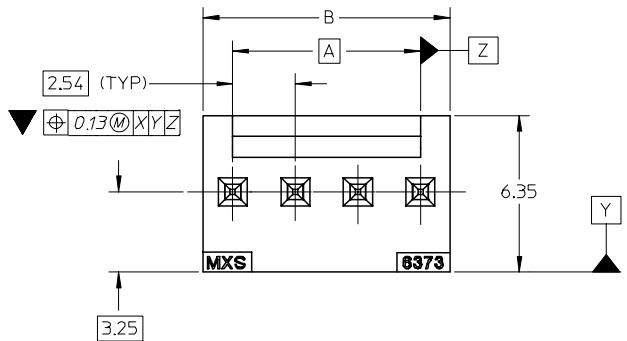


ASSEMBLY P/N	CKT SIZE	DIM. A	DIM. B
45661-1004	4	7.62	10.00



NOTES:

- MATERIAL: NYLON, UL 94V-0, COLOR: WHITE
- FINISH: 0.75um/30uin MIN. GOLD IN CONTACT AREA AND 1.88um/75uin MIN TIN IN SOLDER TAIL AREA OVER 1.25um/50uin MIN. NICKEL OVERALL.
- PRODUCT SPECIFICATION: PS-10-07

EC NO: S2005-0361 DRAWN: BOKOK 2004/11/10 CHKD: CGOH 2004/11/10 APPR: SLOW 2004/11/27	QUALITY SYMBOLS $\nabla = 1$ $\nabla = 0$	GENERAL TOLERANCES (UNLESS SPECIFIED)		DIMENSION STYLE	SCALE	DESIGN UNITS	THIRD ANGLE PROJECTION
				MM ONLY	NTS	METRIC	
REV A	DESCRIPTION	4 PLACES	\pm ---	\pm ---	DRAWN BY	DATE	TITLE
		3 PLACES	\pm ---	\pm ---	BOKOK	2004/10/20	SALES DRAWING KK 100 HEADER FRLK WITH MULTIPLY MATING
		2 PLACES	± 0.25	\pm ---	CHECKED BY	DATE	
		1 PLACE	± 0.38	\pm ---	CGOH	2004/10/26	
		ANGULAR $\pm 3^\circ$		APPROVED BY	DATE	DOCUMENT NO.	SHEET NO.
		DRAFT WHERE APPLICABLE MUST REMAIN WITHIN DIMENSIONS		SLOW	2004/11/01	SD-45661-007	1 OF 1
				MATERIAL NO.			
				SIZE	THIS DRAWING CONTAINS INFORMATION THAT IS PROPRIETARY TO MOLEX INCORPORATED AND SHOULD NOT BE USED WITHOUT WRITTEN PERMISSION		
				A3			