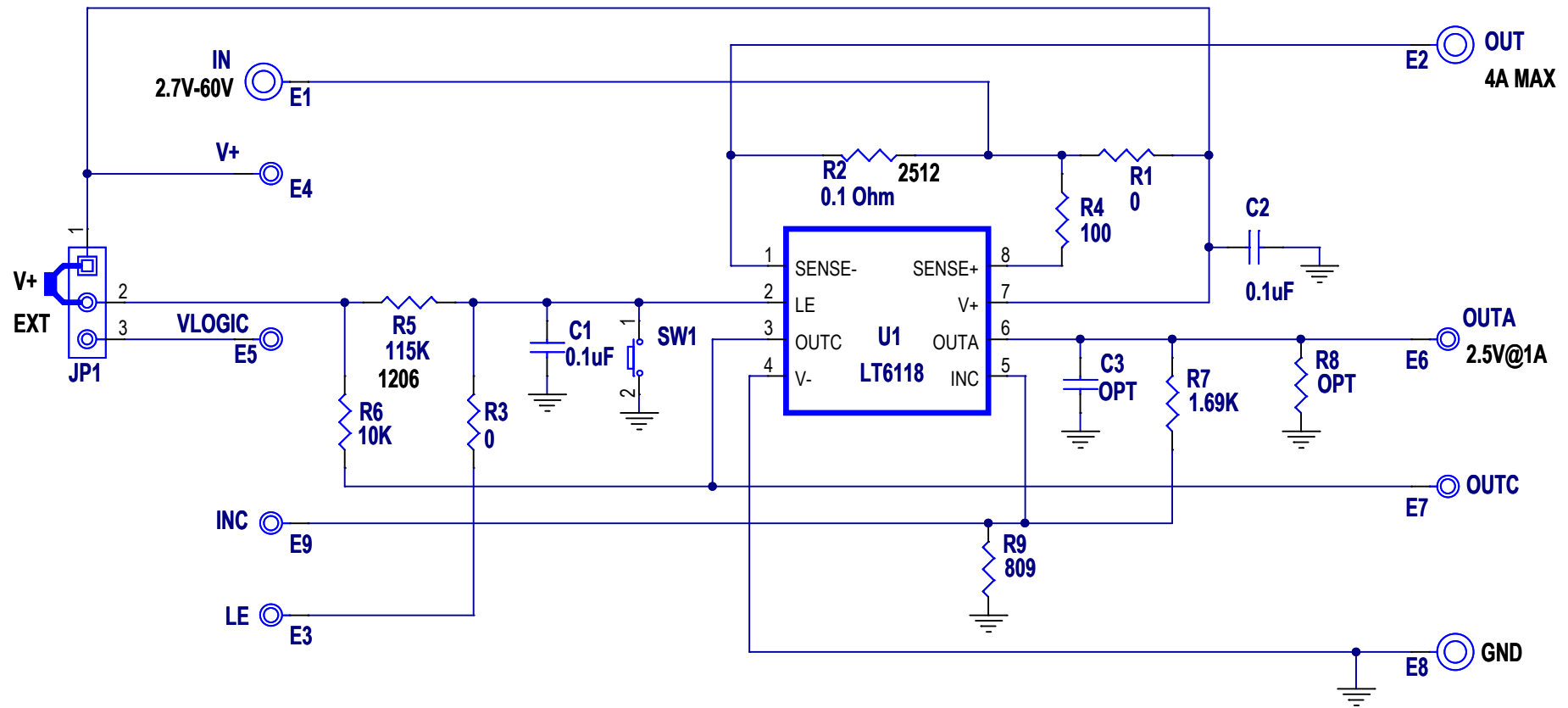



REVISION HISTORY				
ECO	REV	DESCRIPTION	APPROVED	DATE
—	2	PRODUCTION	CUYLER L.	03-12-14



NOTE: UNLESS OTHERWISE SPECIFIED

1. ALL RESISTORS ARE IN OHMS, 0603
2. ALL CAPACITORS ARE IN MICROFARADS, 0603

<p>CUSTOMER NOTICE</p> <p>LINEAR TECHNOLOGY HAS MADE A BEST EFFORT TO DESIGN A CIRCUIT THAT MEETS CUSTOMER-SUPPLIED SPECIFICATIONS; HOWEVER, IT REMAINS THE CUSTOMER'S RESPONSIBILITY TO VERIFY PROPER AND RELIABLE OPERATION IN THE ACTUAL APPLICATION. COMPONENT SUBSTITUTION AND PRINTED CIRCUIT BOARD LAYOUT MAY SIGNIFICANTLY AFFECT CIRCUIT PERFORMANCE OR RELIABILITY. CONTACT LINEAR TECHNOLOGY APPLICATIONS ENGINEERING FOR ASSISTANCE.</p>	APPROVALS		 <p>1630 McCarthy Blvd. Milpitas, CA 95035 Phone: (408)432-1900 www.linear.com Fax: (408)434-0507 LTC Confidential-For Customer Use Only</p>	<p>TITLE: SCHEMATIC</p> <p>PRECISION CURRENT SENSE WITH COMPARATOR AND REFERENCE</p>			
	PCB DES.	AK				<p>SIZE</p> <p>N/A</p>	<p>IC NO.</p> <p>LT6118IMS8</p>
	APP ENG.	CUYLER L.		<p>DEMO CIRCUIT 2193A</p>			
	<p>THIS CIRCUIT IS PROPRIETARY TO LINEAR TECHNOLOGY AND SUPPLIED FOR USE WITH LINEAR TECHNOLOGY PARTS.</p>			<p>SCALE = NONE</p>		<p>DATE: Wednesday, March 12, 2014</p>	