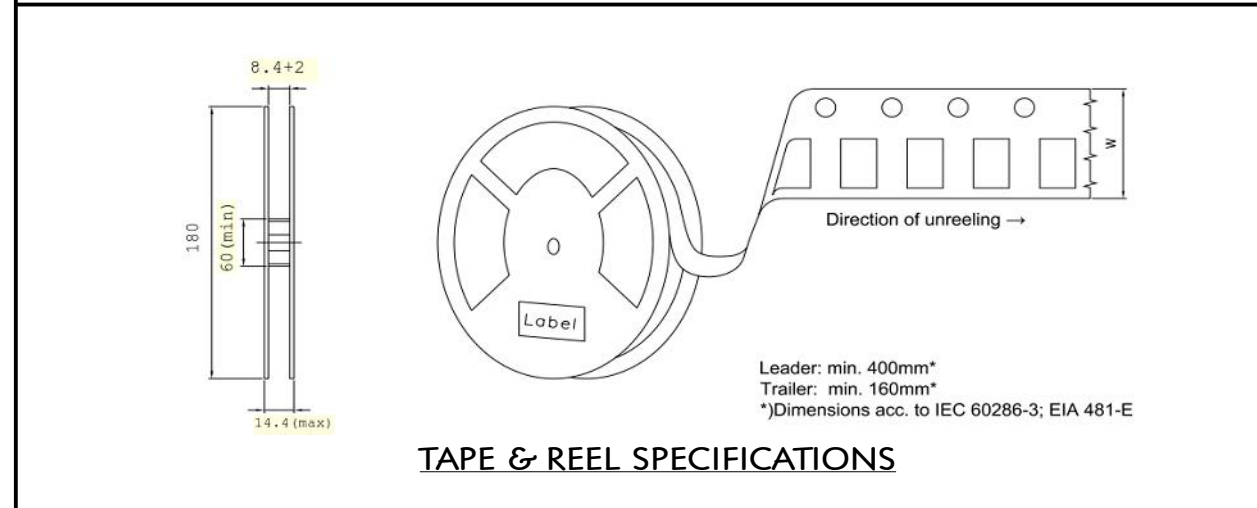
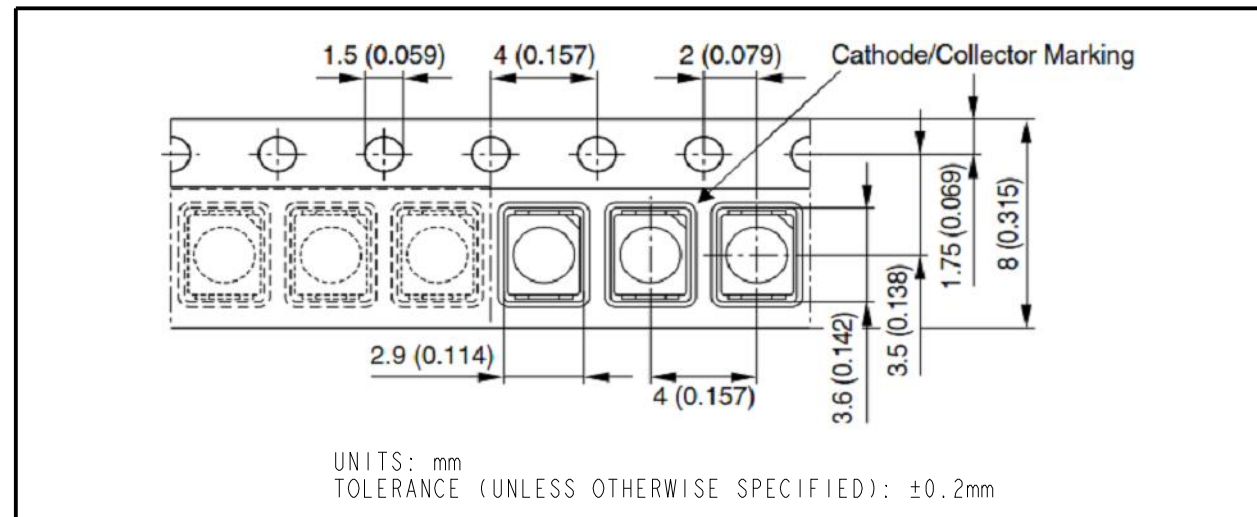
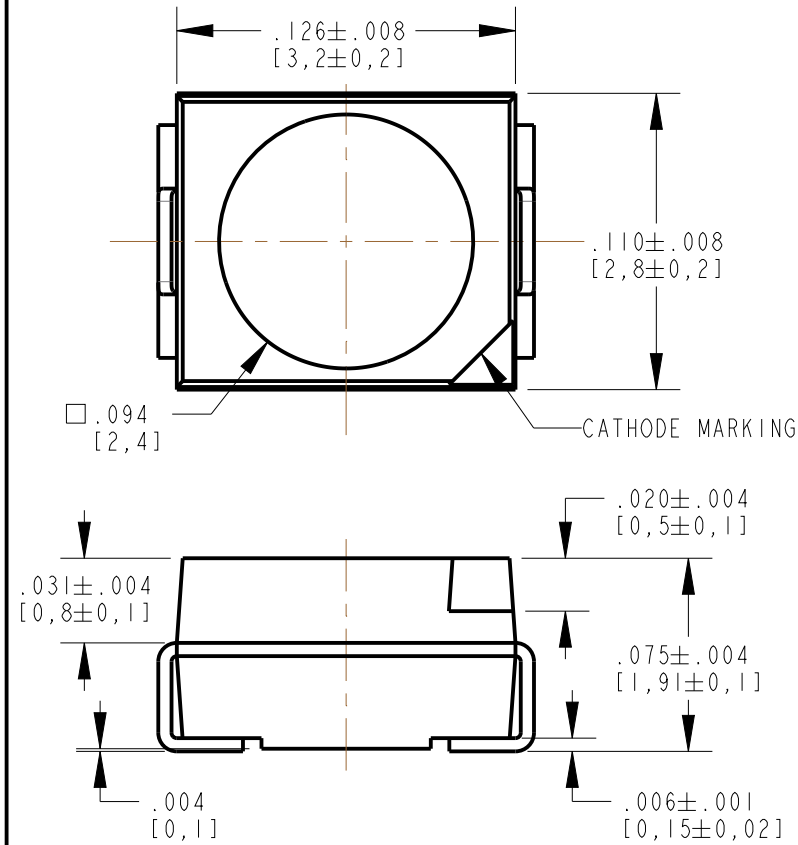


DIALIGHT PART NUMBER	LED COLOR (nm)
597-3001-202NF, 207NF	RED (633)
597-3301-202NF, 207NF	GREEN (570)
597-3401-202NF, 207NF	YELLOW (587)
597-3211-202NF, 207NF	ORANGE (606)



OPERATING CHARACTERISTICS AT T = 25°C AND I <sub>F</sub> = 20mA												
LED COLOR	PEAK WAVELENGTH (nm)	LUMINOUS INTENSITY (mcd)			DOMINANT WAVELENGTH (nm)			REVERSE CURRENT	FORWARD VOLTAGE I <sub>F</sub> =20mA			VIEWING ANGLE (DEG)
	TYP	MIN	TYP	MAX	MIN	TYP	MAX	MAX	MIN	TYP	MAX	@ 50% I <sub>V</sub>
RED	645	56	140	224	627	633	639	10µA @ VR=12V	1.8	2.0	2.3	120
GREEN	572	56	98	140	566	570	575		1.8		2.4	
YELLOW	591	112	224	355	580	587	595		1.9		2.4	
ORANGE	610	180	268	355	600	606	609		1.85		2.35	

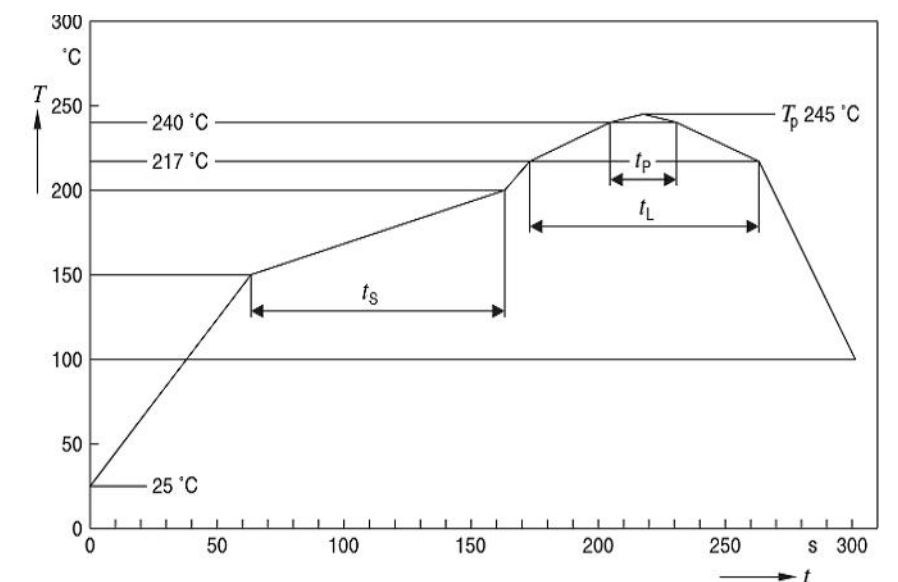
ABSOLUTE MAXIMUM RATINGS AT T = 25°C							
LED COLOR	FORWARD CURRENT (mA)	SURGE CURRENT (mA) t<10µs; D = .005	REVERSE VOLTAGE (V)	OPERATING TEMPERATURE (°C)	STORAGE TEMPERATURE (°C)	JUNCTION TEMPERATURE (°C)	ESD (V)
RED	30	1000	12	-40 TO +100	-40 TO +100	125	2000
GREEN		1000					
YELLOW		200					
ORANGE		1000					

- NOTES:**
- PIN NUMBERS ARE FOR REFERENCE ONLY, DESIGNATION NON-EXISTENT ON PART.
  - QUANTITY IS 2000 PCS PER REEL.
  - MOISTURE SENSITIVITY LEVEL IS 2
  - THIS ASSEMBLY CONTAINS ELECTROSTATIC DISCHARGE SENSITIVE DEVICES (ESDS). MAINTAIN ALL PRECAUTIONARY MEASURES DURING ASSEMBLY, HANDLING AND STORAGE IN ACCORDANCE WITH IPC-A-610.
  - THIS PRODUCT IS RoHS COMPLIANT. EACH BAG IS TO BE MARKED WITH RoHS COMPLIANT LABEL OR EQUIVALENT MARKINGS. LED MUST BE Pb FREE.



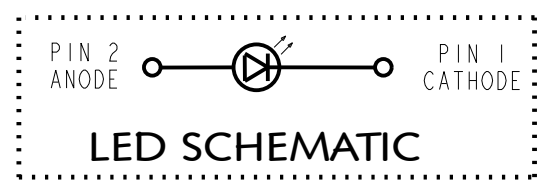
**ATTENTION:**  
OBSERVE PRECAUTIONS FOR  
HANDLING ELECTROSTATIC  
SENSITIVE DEVICES

REV	REVISIONS	DRN	APP	DATE
A	NEW RELEASE	LD	NO	10-22-20



**RECOMMENDED RoHS SOLDER PROFILE**

MARK	DEFINITION	CONDITION
T <sub>S</sub> max	Maximum of pre-heating temperature	260 °C
T <sub>S</sub> min	Minimum of pre-heating temperature	150 °C
T <sub>s</sub>	Time form T <sub>smin</sub> to T <sub>smax</sub>	60-120 sec
T <sub>L</sub>	Temperature Liquidus	217 °C
t <sub>L</sub>	Time above liquidus temperature	within 80s
T <sub>p</sub>	Peak Temperature	245 °C
t <sub>p</sub>	Time for peak temperature	within 20s
DTr/Dt	Temperature rising rate	under 3° C/sec
DTd/Dt	Temperature decreasing rate	under -3° C/sec



**RECOMMENDED SOLDER PAD LAYOUT**

THIS DRAWING AND THE CONTENTS HEREIN ARE CONFIDENTIAL AND THE SOLE PROPERTY OF DIALIGHT CORP. REPRODUCTION OF THIS DRAWING OR CONSTRUCTION OF ANY PARTS WITHIN THIS DRAWING ARE FORBIDDEN WITHOUT THE WRITTEN CONSENT OF DIALIGHT CORP.

DIALIGHT CORP INTERNAL REFERENCE ONLY = 3D MODEL : 450052185X12-A.7

SCALE: 30.000	DRAWING NUMBER	REV
ALL DIM's: INCH (mm)	C-18487	A
TOLERANCES: UNLESS OTHERWISE SPECIFIED	TITLE	
FRACTIONS: ±1/64	SM PLCC 2	
DECIMALS (.XX): ±.01	MATERIAL	
DECIMALS (.XXX): ±.005		
DECIMALS (.XXXX): ±.0005		
ANGLES: ±1°		
FINISH		
FSCM 83330		

**Dialight** 1501 ROUTE 34 SOUTH  
FARMINGDALE, NJ 07727  
(732) 919-3119  
www.dialight.com

SHEET 1 OF 1 FAMILY TABLE: