

## Housing - HC-COM-HHFS-1TGM25-PL-BK - 1012520


Please be informed that the data shown in this PDF Document is generated from our Online Catalog. Please find the complete data in the user's documentation. Our General Terms of Use for Downloads are valid (<http://phoenixcontact.com/download>)



Sleeve housing COM, for single locking latch, material: PA, cable outlets: 1, straight, height: 84 mm, cable gland: with, support sleeve: no, 1x M25, Standard



### Key Commercial Data

|                                      |   |
|--------------------------------------|---|
| Packing unit                         | 1 pc  |
| GTIN                                 | <br>4 055626 490229 |
| GTIN                                 | 4055626490229   |
| Weight per Piece (excluding packing) | 60.000 g  |
| Custom tariff number                 | 85389099  |
| Country of origin                    | China   |

### Technical data

#### Dimensions

|                         |                 |
|-------------------------|-----------------|
| Height                  | 84 mm           |
| Width                   | 39 mm           |
| Length                  | 48.8 mm         |
| External cable diameter | 10 mm ... 16 mm |

#### Ambient conditions

|                                 |                   |
|---------------------------------|-------------------|
| Degree of protection (IP)       | IP66              |
| Ambient temperature (operation) | -40 °C ... 125 °C |

#### General

|              |                |
|--------------|----------------|
| Size         | COM            |
| Housing type | Sleeve housing |

# Housing - HC-COM-HHFS-1TGM25-PL-BK - 1012520

## Technical data

### General

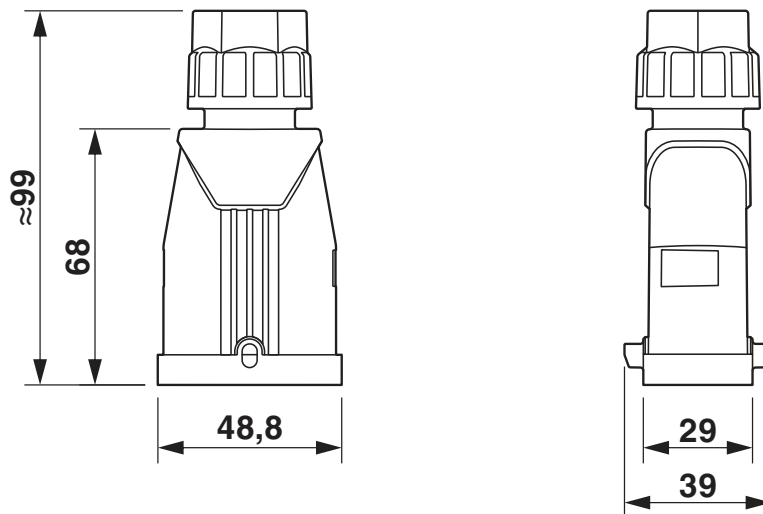
|  |                          |
|--|--------------------------|
| Color                                  | black                    |
| Locking type                           | for single locking latch |
| No. of cable outlets                   | 1                        |
| Cable outlet                           | straight                 |
| Screw connection                       | with                     |
| Type of the screw connection           | 1x M25                   |
| Housing material                       | PA                       |
| Flammability rating according to UL 94 | V0 (Housing)             |

### Environmental Product Compliance

|            |   |
|------------|---|
| China RoHS | Environmentally Friendly Use Period = 50 years  |
|            | For details about hazardous substances go to tab "Downloads", Category "Manufacturer's declaration" |

## Drawings

Dimensional drawing



## Classifications

eCl@ss

|               |          |
|---------------|----------|
| eCl@ss 10.0.1 | 27440202 |
| eCl@ss 11.0   | 27440202 |
| eCl@ss 4.0    | 27140816 |
| eCl@ss 4.1    | 27140816 |

# Housing - HC-COM-HHFS-1TGM25-PL-BK - 1012520

## Classifications

### eCl@ss

|            |          |
|------------|----------|
| eCl@ss 5.0 | 27143424 |
| eCl@ss 5.1 | 27261200 |
| eCl@ss 6.0 | 27261200 |
| eCl@ss 7.0 | 27440202 |
| eCl@ss 9.0 | 27440202 |

### ETIM

|          |          |
|----------|----------|
| ETIM 4.0 | EC000437 |
| ETIM 6.0 | EC000437 |
| ETIM 7.0 | EC000437 |

### UNSPSC

|               |          |
|---------------|----------|
| UNSPSC 6.01   | 31261502 |
| UNSPSC 7.0901 | 31261502 |
| UNSPSC 11     | 31261502 |
| UNSPSC 12.01  | 31261502 |
| UNSPSC 13.2   | 31261501 |
| UNSPSC 18.0   | 31261501 |
| UNSPSC 19.0   | 31261501 |
| UNSPSC 20.0   | 31261501 |
| UNSPSC 21.0   | 31261501 |

## Approvals

### Approvals

---

Approvals


EAC

---

Ex Approvals

---

### Approval details

|     |   |                          |
|-----|---|--------------------------|
| EAC |  | RU C-<br>DE.BL08.B.00511 |
|-----|---|--------------------------|

## Housing - HC-COM-HHFS-1TGM25-PL-BK - 1012520

### Accessories

#### Accessories

#### Protective cover

#### Protective covers - HC-COM-HCWS-PLR-BK - 1079394



Protective cover COM, with single locking latch, protective cover material: PA, height: 20.5 mm, Standard, for socket inserts

---

#### Protective covers - HC-COM-HCWS-PL-BK - 1079395



Protective cover COM, with single locking latch, protective cover material: PA, height: 20.5 mm, Standard, for pin inserts

---

---