

CUSTOMER PRINT

PART NUMBER: 6382-XSG-5XX

NOTES:

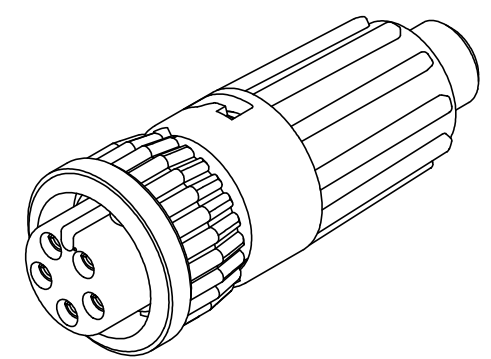
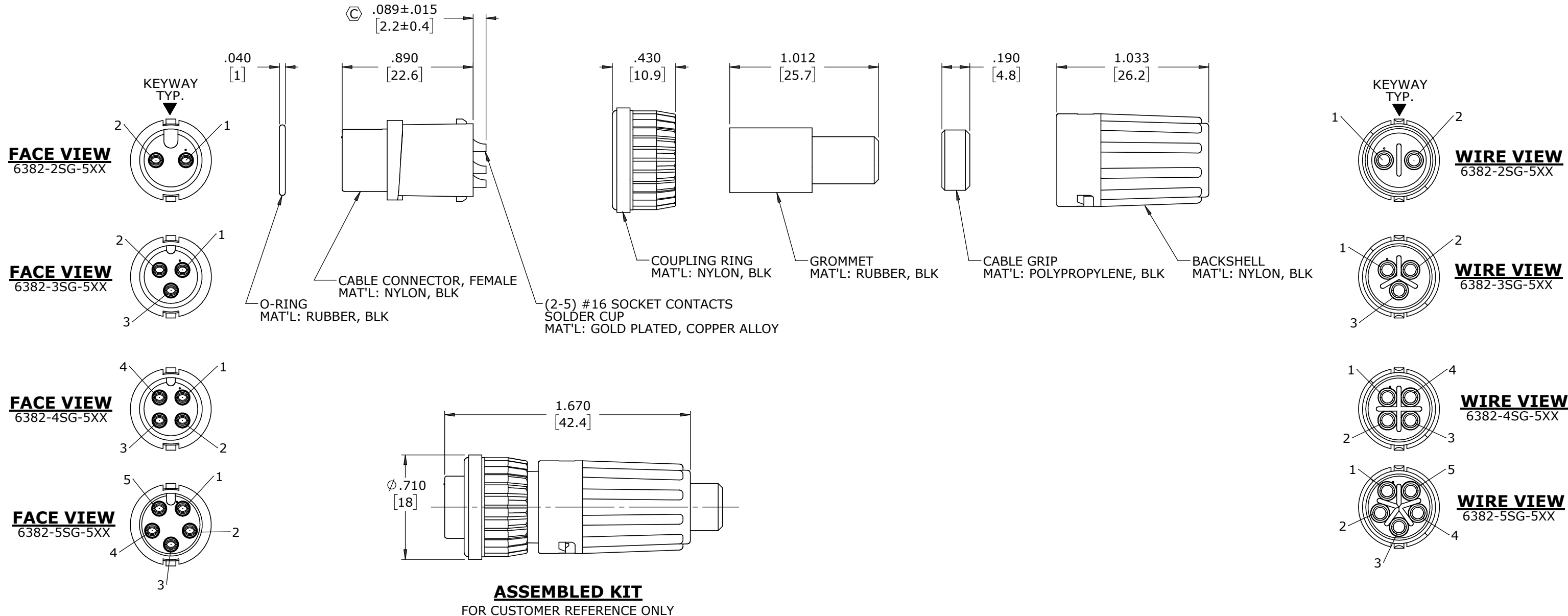
1. ALL PARTS TO BE BULK PACKED.
2. CONTACTS ARE ASSEMBLED INTO CONNECTOR
3. ALL DIMENSIONS ARE REFERENCE EXCEPT THOSE WITH A TOLERANCE

ASSY P/N	GROMMET SIZE
6382-XPG-513	.148 GROMMET I.D. FOR CABLE O.D. .13-.15 [3.3-3.8mm]
6382-XPG-516	.176 GROMMET I.D. FOR CABLE O.D. .16-.18 [4.1-4.6mm]
6382-XPG-519	.206 GROMMET I.D. FOR CABLE O.D. .19-.21 [4.8-5.3mm]
6382-XPG-522	.245 GROMMET I.D. FOR CABLE O.D. .22-.25 [5.6-6.3mm]
6382-XPG-526	.265 GROMMET I.D. FOR CABLE O.D. .25-.27 [6.3-6.8mm]
6382-XPG-528	.280 GROMMET I.D. FOR CABLE O.D. .26-.28 [6.6-7.1mm]

KIT P/N	NO. OF CONTACTS
6382-2SG-5XX	2 #16
6382-3SG-5XX	3 #16
6382-4SG-5XX	4 #16
6382-5SG-5XX	5 #16
6382-XSG-5XX	

GROMMET SIZE

NO. OF CONTACTS



DIMENSIONS IS BRACKETS [] ARE METRIC

CUSTOMER APPROVAL

THIS DOCUMENT CONTAINS CONFIDENTIAL INFORMATION PROPRIETARY TO CONXALL CORPORATION. ANY REPRODUCTION, DISCLOSURE, OR USE OF THIS DOCUMENT /INFORMATION IS EXPRESSLY PROHIBITED UNLESS AUTHORIZED IN WRITING BY CONXALL CORPORATION.

APPROVED BY: _____
DATE: _____

REV.	INIT.	DATE	DESCRIPTION
C	MA	02-15-21	CONTACT HEIGHT WAS .088, REMOVED GROMMET SIZE INFO FROM PIECE PART PER ECR 9544
B	JD	09-12-17	UPDATED CABLE GROMMET PER ECR 9065 UPDATED PIN HEIGHT DIM. FROM .68 +/- .015 PER ECR 8178
A	AN	02-22-10	DRAWING CREATED PER DOR 10-E149SL

ALL INFORMATION ILLUSTRATED IS THE PROPERTY OF "CONXALL CORPORATION". UNAUTHORIZED DUPLICATION OR DISTRIBUTION OF THIS DOCUMENT IS PROHIBITED.	ORIG. DRAWN BY: AN DATE: 02-22-10	 601 E. WILDWOOD VILLA PARK, IL 60181
ALL UNITS ARE IN FEET, INCHES, FRACTION OF INCHES AND DECIMALS.	CHECKED BY:	
APPROVED BY:	SCALE: NTS SIZE: B SHEET: 1 OF 1	TITLE: CABLE CONNECTOR KIT (2-5) #16 SKT. CONTACTS (SOLDER CUP) MINI-CON-X CUSTOMER: STANDARD PRODUCT
FILE: 6382-XSG-5XX	DIRECTORY: SLW	PART NUMBER: 6382-XSG-5XX

RoHS COMPLIANT

CRITICAL CHARACTERISTIC FLAG PER SPEC. XXXX