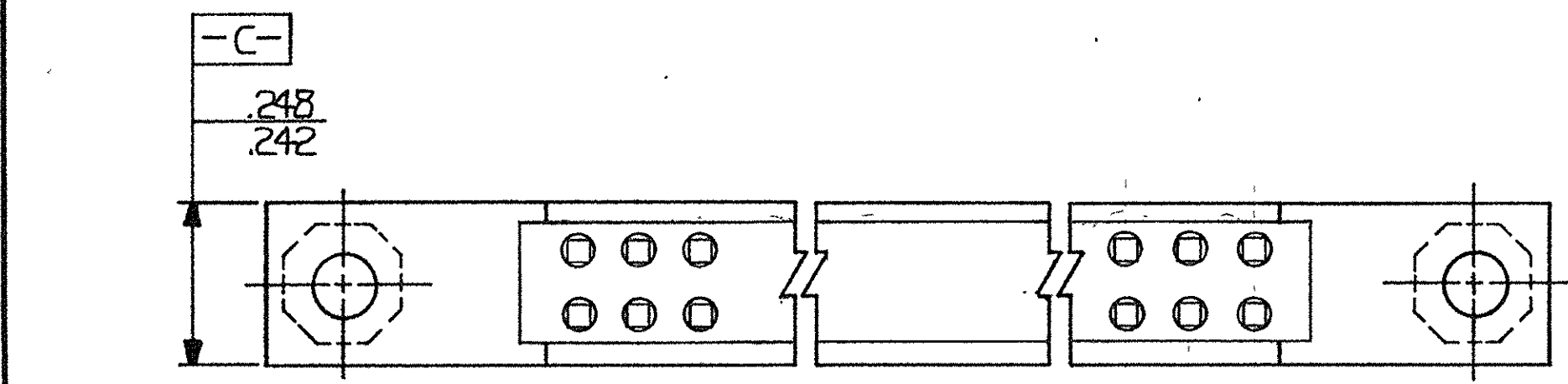
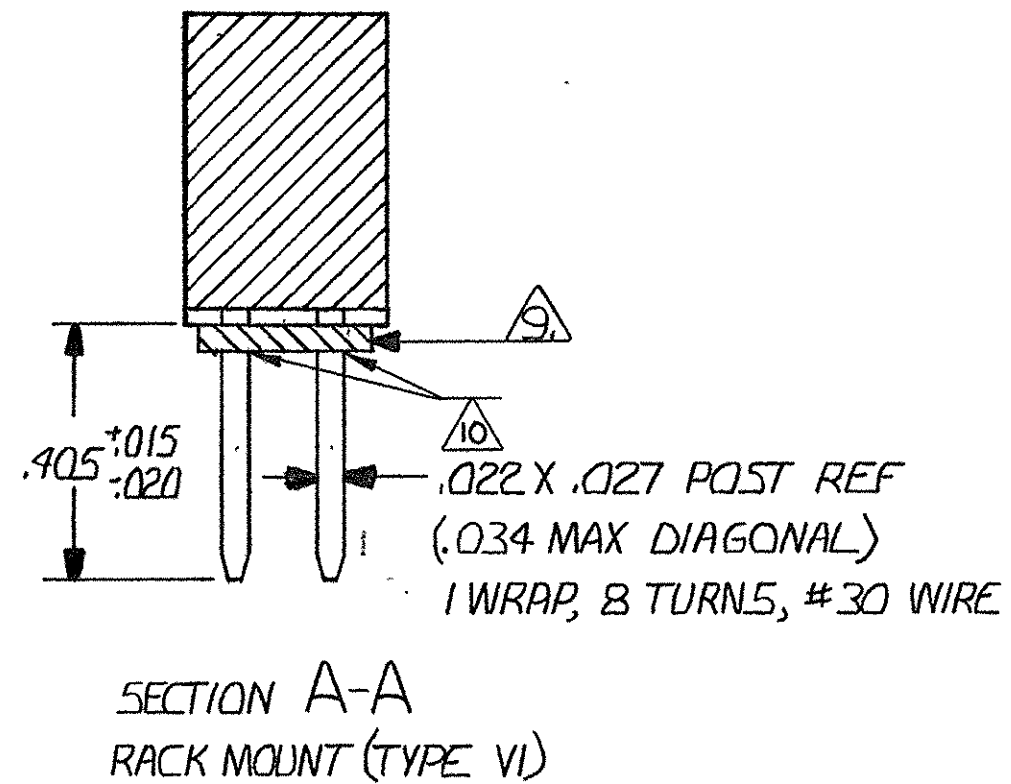
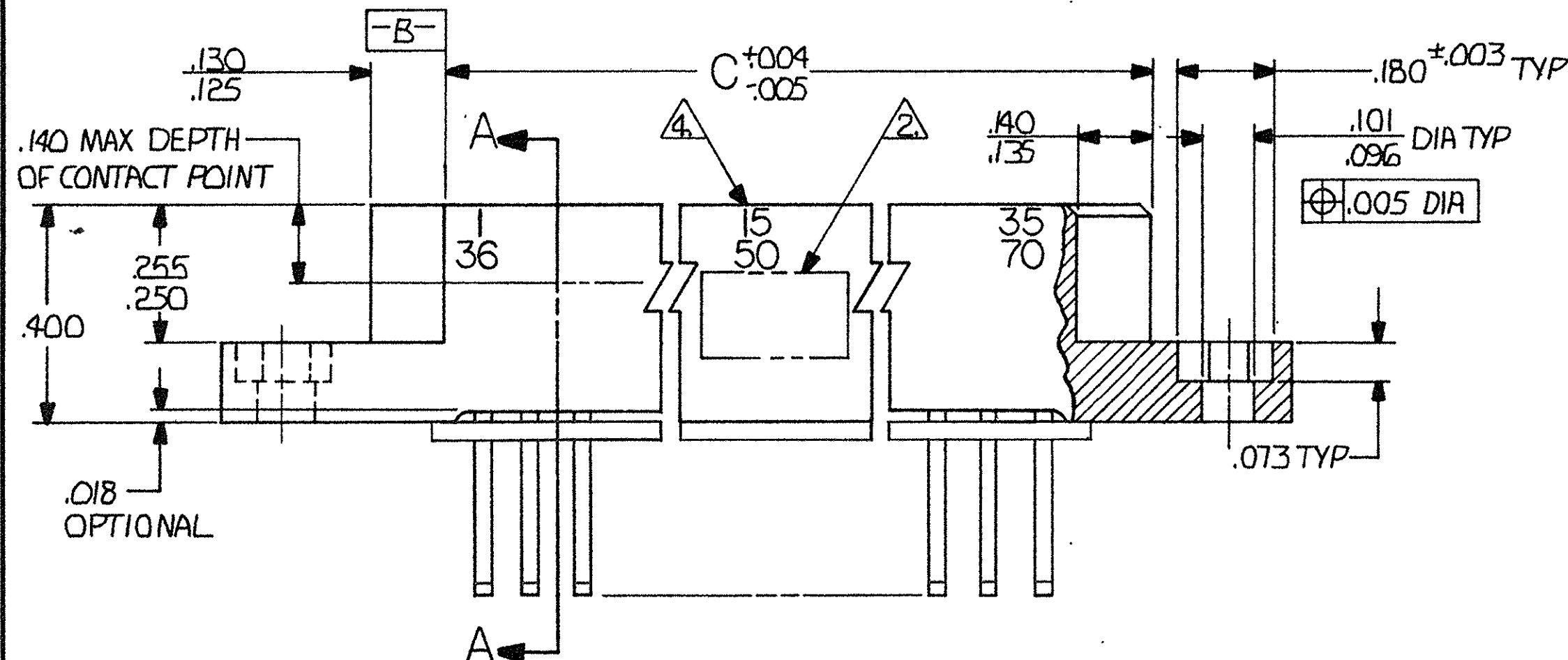
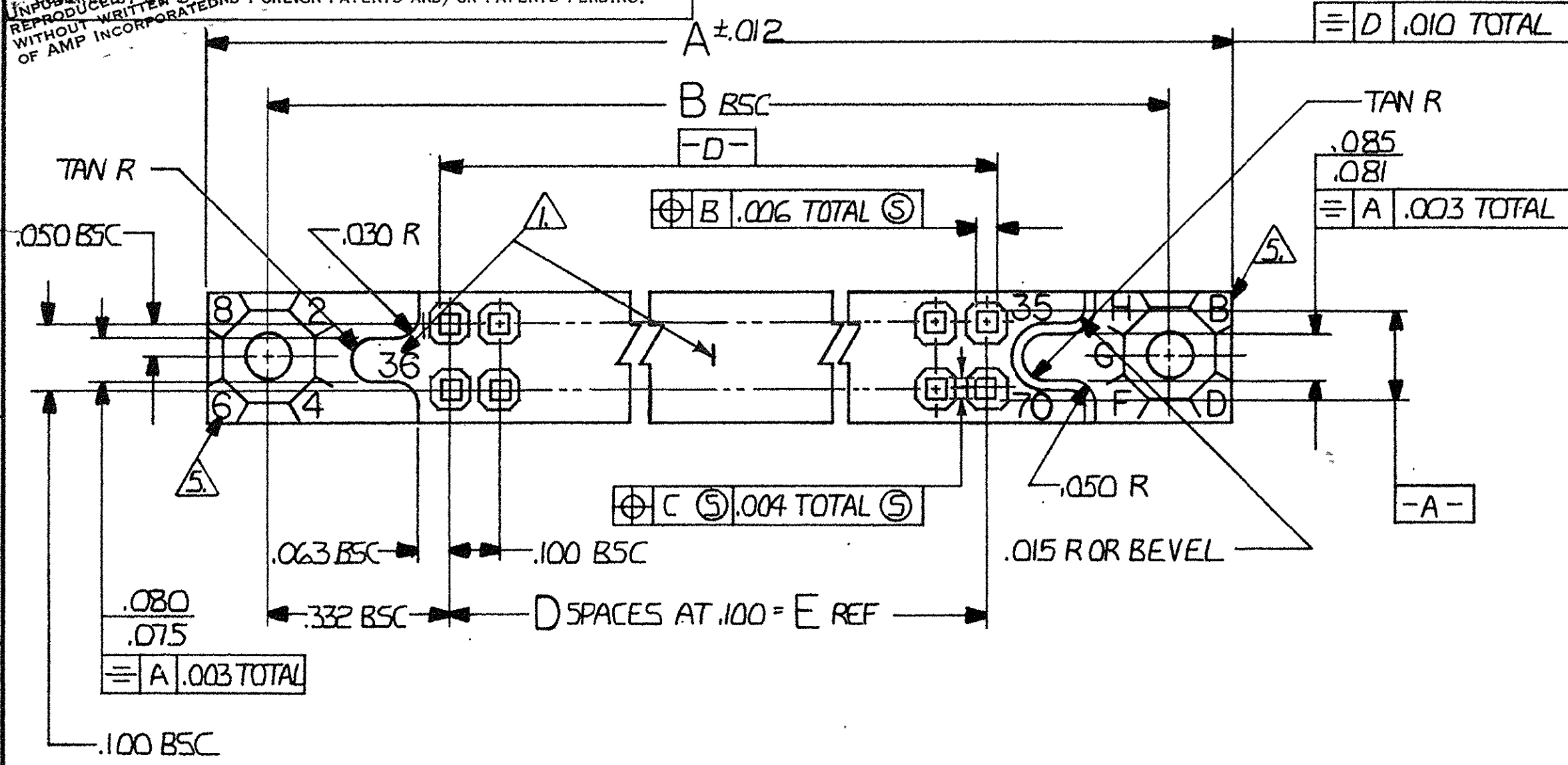


© COPYRIGHT NOT TO BE REPRODUCED OR TRANSMITTED IN ANY FORM OR BY ANY MEANS, ELECTRONIC OR MECHANICAL, INCLUDING PHOTOCOPYING, RECORDING, OR BY ANY INFORMATION STORAGE AND RETRIEVAL SYSTEM, WITHOUT WRITTEN PERMISSION OF AMP INCORPORATED. AMP INCORPORATED, HARRISBURG, PA. ALL INTERESTS RESERVED. AMP INCORPORATED PRODUCTS AND/OR PATENTS PENDING.

REVISIONS						
P	F	ZONE	LTR	DESCRIPTION	DATE	APPROVED
			01	REVISED 5061 m.s.	2-2-77	
			02	REVISED SH. 2 6152 m.s.	7-24-79	
03	✓		03	MIL. P/N'S ASSIGNED	4-80	DLK P-10
✓	✓		A	REV. PER ECN AB-0535	db	1-2-85 EAM
✓	✓		B	REV. PER DF-0457	5-10-88	SG QPB
✓	✓		C	OBS-10-13 ECN DF 0477	zp	11-88 T.W.
✓	✓		D	REACT-10-13 PER DF-1282 T.W.	1-89	DAW
✓	✓		E	REV PER DF-2240	T.W.	10-89 ASH
			F	REV PER 0600-5859-96	11	4-98 UEL
			G	REV PER ECO-05-013278	11-05	PY



UNLESS OTHERWISE SPECIFIED DIMENSIONS ARE IN INCHES. TOLERANCES ON: DECIMALS ±.005 ANGLES ±.005		CONTRACT NO		PART NO	
MATERIAL		DR Robert Walters 11-12-76		AMP INCORPORATED Harrisburg, Pa.	
FINISH		CHK R. Williams 11-23-76		NAME BOX CONNECTOR RECEPTACLE ASSY .100 GRID EXTERNAL KEYING	
		APPD R. Williams 11-23-76		SIZE CODE IDENT NO DRAWING NO	
		APPD D. Meyers 11-29-76		C 00779 530778	
		DSGN APPD		SCALE 4-1 SHEET 10FZ	
		OTHER APPD		CUSTOMER DRAWING	

530778


© COPYRIGHT 19 BY AMP INCORPORATED, HARRISBURG, PA.  
 ALL INTERNATIONAL RIGHTS RESERVED. AMP INCORPORATED PRODUCTS  
 COVERED BY U. S. AND FOREIGN PATENTS AND/OR PATENTS PENDING.

UNPUBLISHED COPY NOT TO BE  
 REPRODUCED NOR PUBLISHED  
 WITHOUT WRITTEN PERMISSION  
 OF AMP INCORPORATED.

REVISIONS						
P	F	ZONE	LTR	DESCRIPTION	DATE	APPROVED
				G (SEE SHEET 1 OF 2)		

- 1. NUMBERS AND LINES INDICATING EVERY FIVE CAVITIES MOLDED OR MARKED ON MATING FACE.
- 2. AMP PART NUMBER DATE CODE, 00779 & MILITARY PART NUMBER MOLDED OR MARKED THIS AREA. SIDE OPTIONAL
- 3. MUST MEET ALL APPLICABLE REQUIREMENTS OF MIL-C-55302.
- 4. NUMBERS INDICATING EVERY FIVE CAVITIES MOLDED OR MARKED ON SIDE.
- 5. KEY POSITION IDENTIFICATION MOLDED ON SURFACES SHOWN.
- 6. USE EXTERNAL KEY NUMBER 530341-1 MATES WITH PART NUMBER 530339.
- 7. HOUSING MATERIAL: DIALLYL PHTHALATE COLOR: BLUE PER MIL-M-14 TYPE 50G-F.
- 8. CONTACT MATERIAL: BERYLLIUM COPPER OR COPPER-NICKEL-SILICONE .00050 GOLD OVER NICKEL, TIN-LEAD ON TAILS
- 9. POST STABILIZER MATERIAL: GLASS FILLED THERMOPLASTIC, FLAME RETARDANT
- 10. EPOXY ADDED TO AREA WHERE THE CONTACT POSTS EMERGE FROM THE STABILIZER TO INSURE POST TRUE POSITION.

M55302/27-213	71	70	6.900	69	7.165	7.565	7.855	140	1-530778-3
M55302/27-212	68	134	6.600	66	6.865	7.265	7.555	134	1-530778-2
M55302/27-211	66	65	6.400	64	6.665	7.065	7.355	130	1-530778-1
M55302/27-210	61	128	5.900	59	6.165	6.565	6.855	120	1-530778-0
M 55302/27-144	56	110	5.400	54	5.665	6.065	6.355	110	530778-9
M 55302/27-143	51	100	4.900	49	5.165	5.565	5.855	100	-8
M 55302/27-142	46	90	4.400	44	4.665	5.065	5.355	90	-7
M 55302/27-141	41	80	3.900	39	4.165	4.565	4.855	80	-6
M 55302/27-140	36	70	3.400	34	3.665	4.065	4.355	70	-5
M 55302/27-139	31	60	2.900	29	3.165	3.565	3.855	60	-4
M 55302/27-138	26	50	2.400	24	2.665	3.065	3.355	50	-3
M 55302/27-137	21	40	1.900	19	2.165	2.565	2.855	40	-2
M 55302/27-136	16	30	1.400	14	1.665	2.065	2.355	30	530778-1
M 55302	CONTACT IDENTIFICATION NO		E	D	C	B	A	NO OF CONTACTS	PART NO

UNLESS OTHERWISE SPECIFIED DIMENSIONS ARE IN INCHES. TOLERANCES ON: DECIMALS ± .005 ANGLES ±	CONTRACT NO		 AMP INCORPORATED Harrisburg, Pa.	
	DR Robert Weber 11-15-76			
MATERIAL	CHK R. Williams 11-23-76		NAME BOX CONNECTOR RECEPTACLE ASSY 100GRID EXTERNAL KEYING	
	APPD R. Williams 11-23-76			
FINISH	APPD D.G. Myers 11-29-76		SIZE CODE IDENT NO DRAWING NO C 00779 530778	
	DSGN APPD			
OTHER APPD		SCALE 4-1		SHEET 2 OF 2