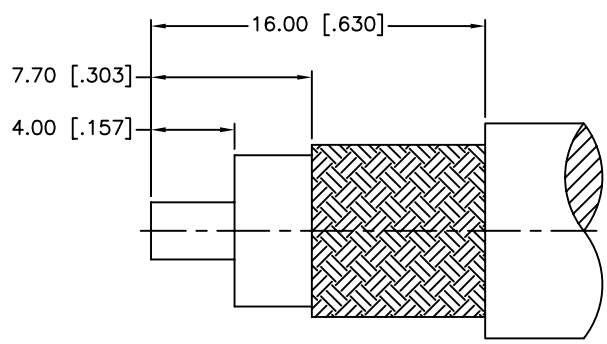
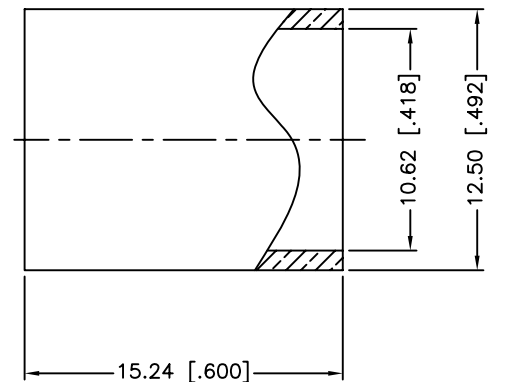
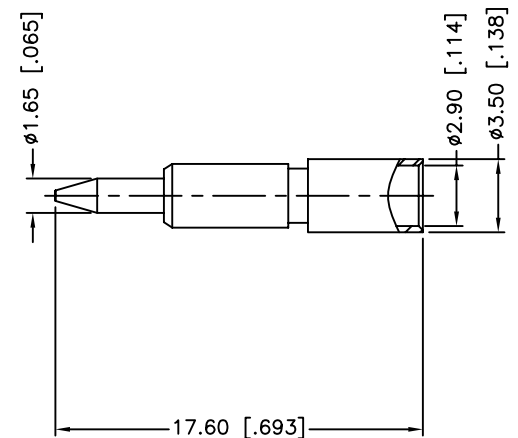
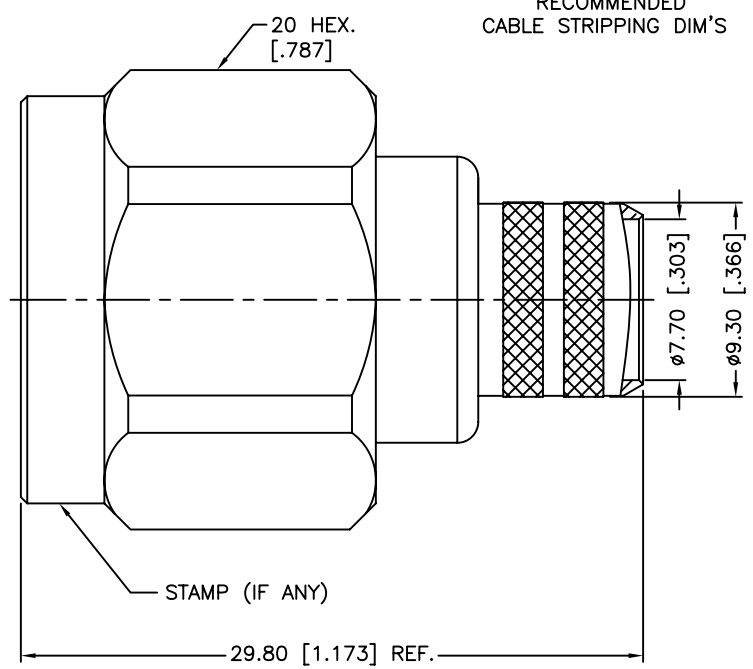


REV.	DATE	ECR NO.	DESCRIPTION
NC	07/11/11	XXXXXX	INITIAL RELEASE



RECOMMENDED
CABLE STRIPPING DIM'S



1. CRIMPED FERRULE
HEX CRIMP SIZE .429"
2. CRIMPED CONTACT PIN
HEX CRIMP SIZE .118"

8	FERRULE	COPPER	NEXCOTE	1
7	CONTACT PIN	BRASS	GOLD	1
6	RETAINER RING	SUS 304	NATURAL	1
5	GASKET	SILICONE	RED	1
4	INSULATOR	PTFE	NATURAL	1
3	BARREL	BRASS	NEXCOTE	1
2	BODY	BRASS	NEXCOTE	1
1	SHELL	BRASS	NEXCOTE	1
	DESCRIPTION	MATERIAL	FINISH	QTY

UNLESS OTHERWISE SPECIFIED DIMENSIONS ARE IN MILLIMETERS. DIMENSIONS IN [] ARE IN INCHES AND FOR CUSTOMER REFERENCE ONLY.

UNLESS OTHERWISE SPECIFIED TOLERANCES FOR MILLIMETERS ARE:
0.5 - 8mm ± 0.20mm
8 - 30mm ± 0.40mm
30 - 120mm ± 0.50mm

UNLESS OTHERWISE SPECIFIED TOLERANCES FOR INCHES ARE:
.020 - .315 ± 0.007"
.315 - 1.180 ± 0.015"
1.180 - 4.724 ± 0.020"

DO NOT SCALE DRAWING

APPROVALS	DATE
DRAWN M.ZHANG	07/11/11
CHECKED	
ISSUED	
SHEET 1 OF 1	
CAD FILE	
C:/CONNEX/172102H243HEX.DWG	

Amphenol Connex

PART DESCRIPTION
**N CRIMP PLUG W/HEX NUT
(FOR B9913 LMR400 CABLE)**

PART NO.
172102H243HEX

DWG. NO.	172102H243HEX.DWG	REV.	NC	SIZE	A	SCALE	NA
----------	-------------------	------	----	------	---	-------	----