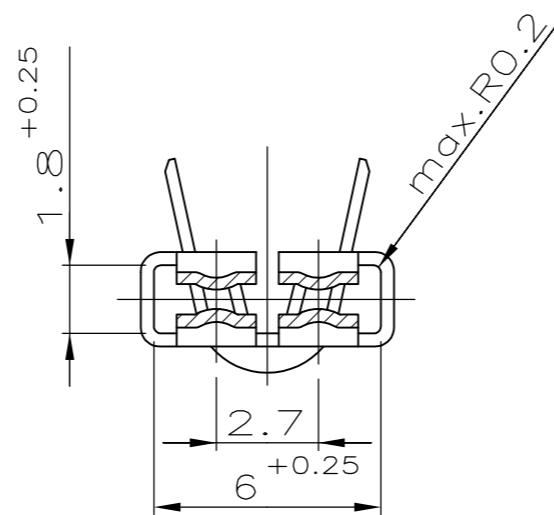
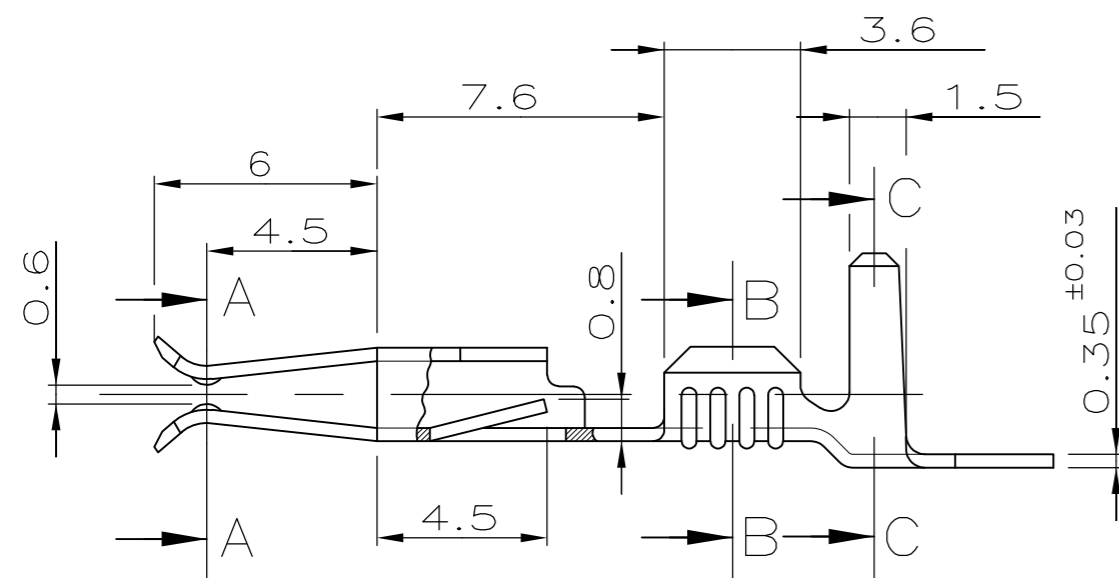
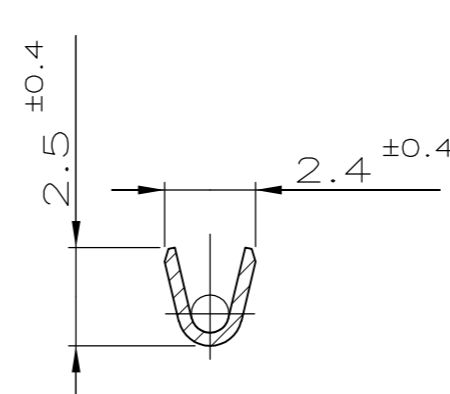


THIS DRAWING IS UNPUBLISHED. RELEASED FOR PUBLICATION
 © COPYRIGHT BY TYCO ELECTRONICS CORPORATION. ALL INTERNATIONAL RIGHTS RESERVED.

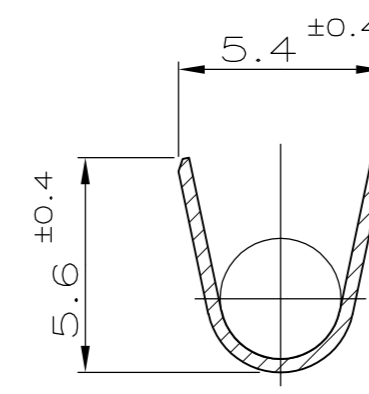
LOC		DIST		REVISIONS			
P	LTR	DESCRIPTION		DATE	DWN	APVD	
	A	REVISED PER ECR-10-003468		22FEB10	SSK	DMK	



Schnitt A-A



Schnitt B-B



Schnitt C-C

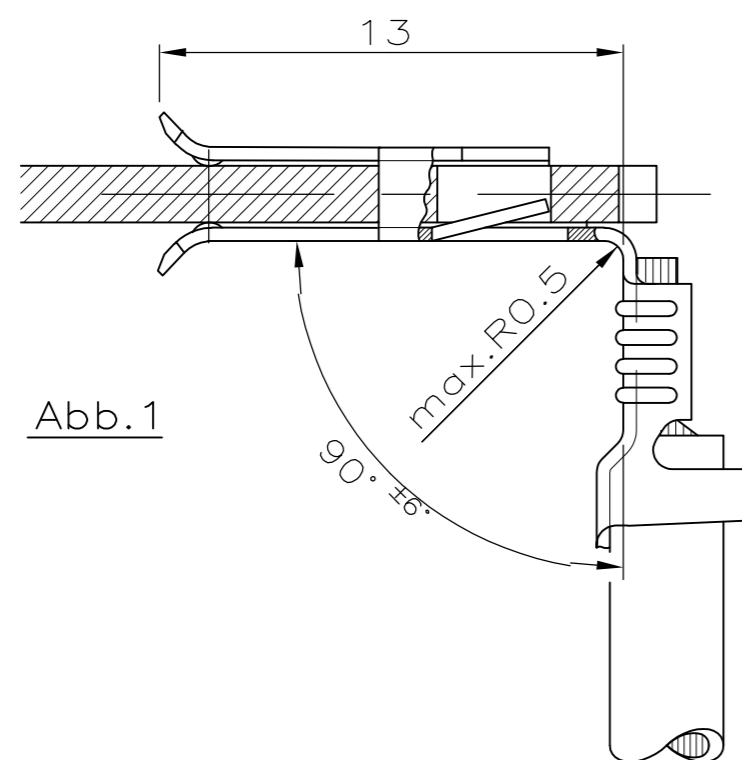
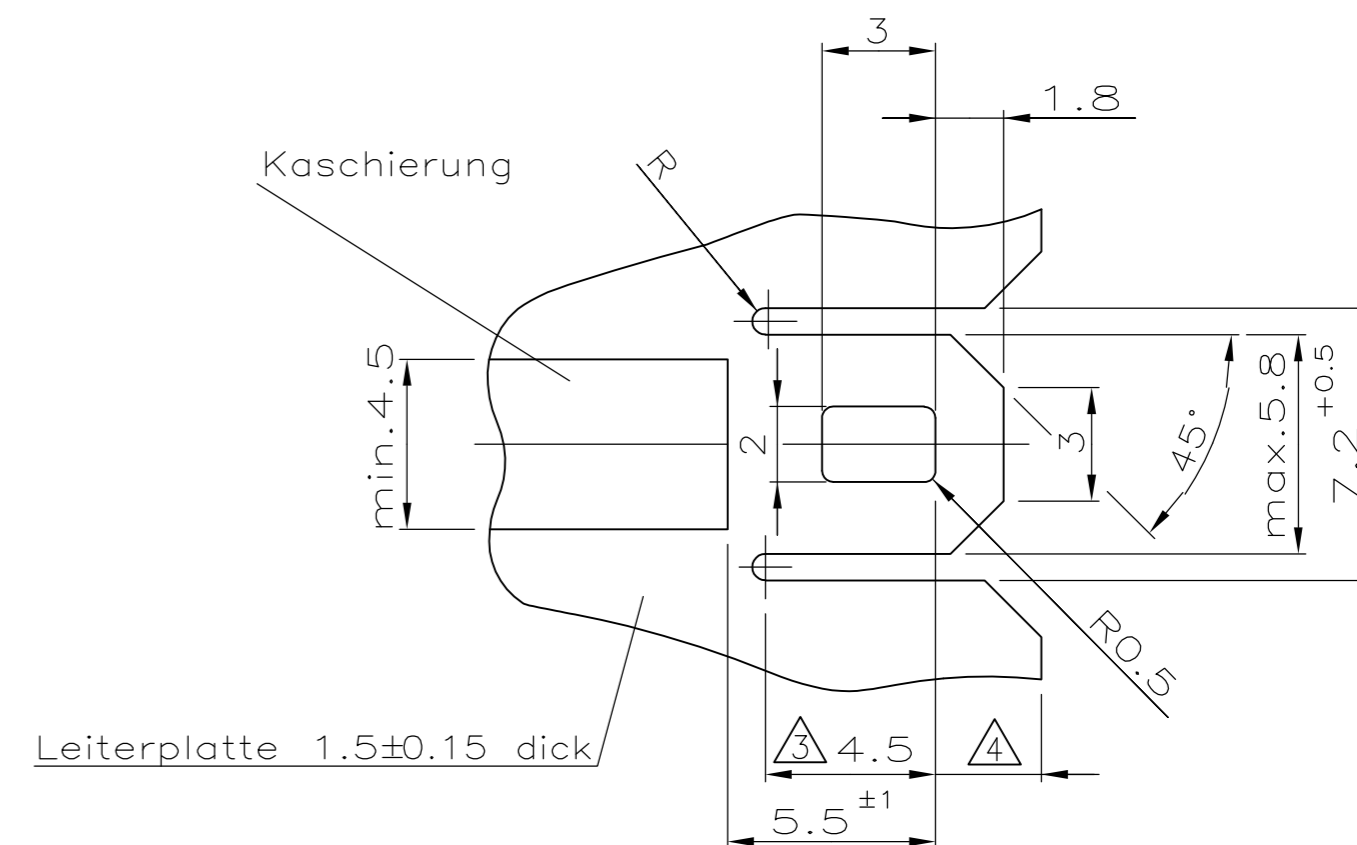
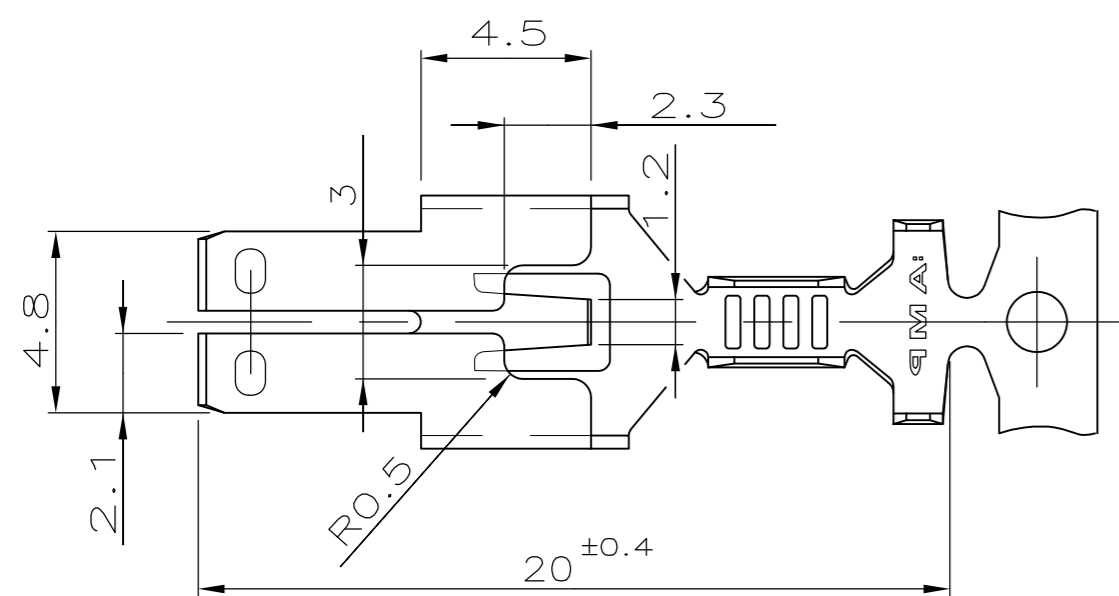


Abb.1

- 4 Ausführung nach Wahl des Herstellers
- 3 Maß für zusätzliche Anschlagkante
- 2 Kontakt kann bei Bedarf auf Anschlagmaschine abgewinkelt werden (Abb.1)
- 1 Kontakt geeignet für Litze 0.34–0.88 mm², Isolationsø 1.9–3.8 mm

THIS DRAWING IS A CONTROLLED DOCUMENT.		DWN S.Goerke 29 Sept.1988	Tyco Electronics Corporation Harrisburg, PA 17105-3608	
DIMENSIONS: mm		CHK H.Plöber 30 Sept.1988	NAME TIMER KONTAKT, PCB APPLICATION	
TOLERANCES UNLESS OTHERWISE SPECIFIED: 0 PLC ± - 1 PLC ± - 2 PLC ± 0.2 mm 3 PLC ± - 4 PLC ± - ANGLES ± -		APVD -	PRODUCT SPEC -	APPLICATION SPEC -
MATERIAL CuZn30	FINISH -	WEIGHT -	SIZE A2	CAGE CODE 00779
CUSTOMER DRAWING		DRAWING NO C=928845	RESTRICTED TO -	SCALE 5:1
		SHEET 1 of 1	REV A	