

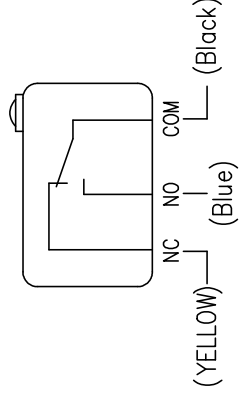
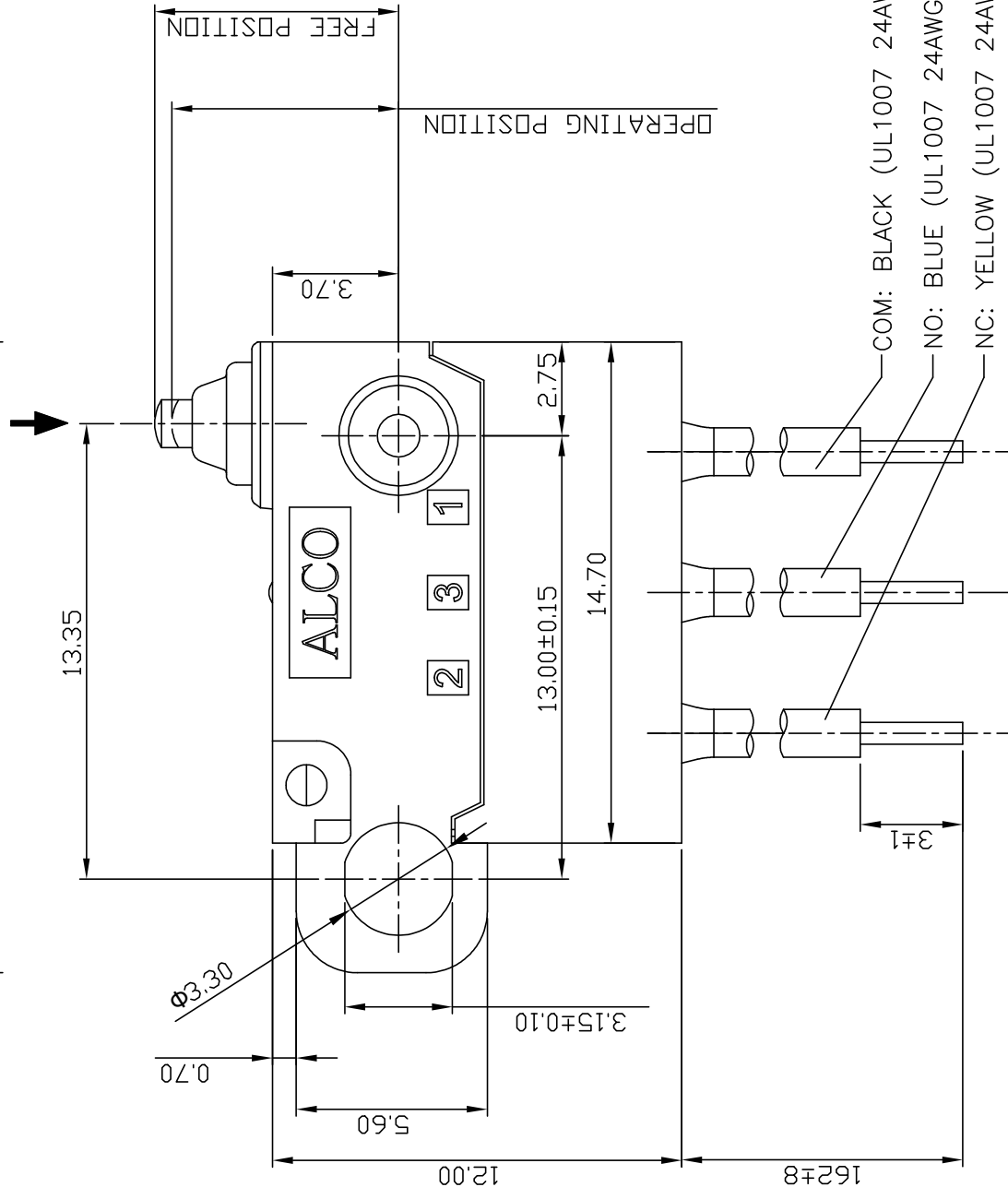
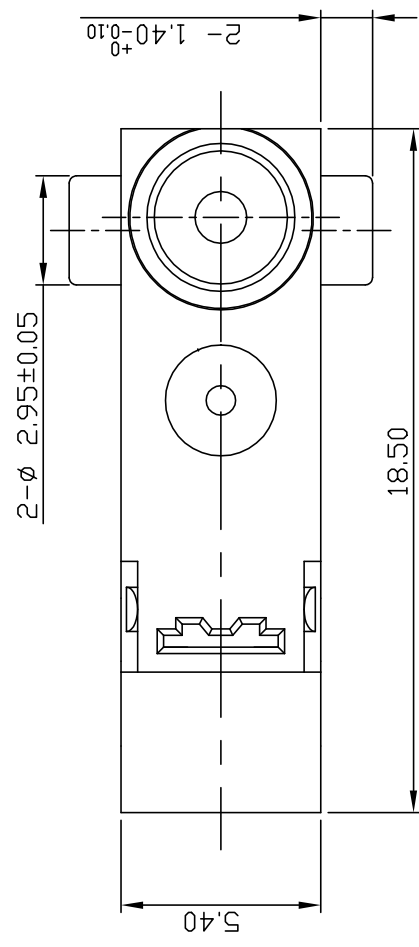
THIS DRAWING IS UNPUBLISHED.

© COPYRIGHT - TE Connectivity Ltd.

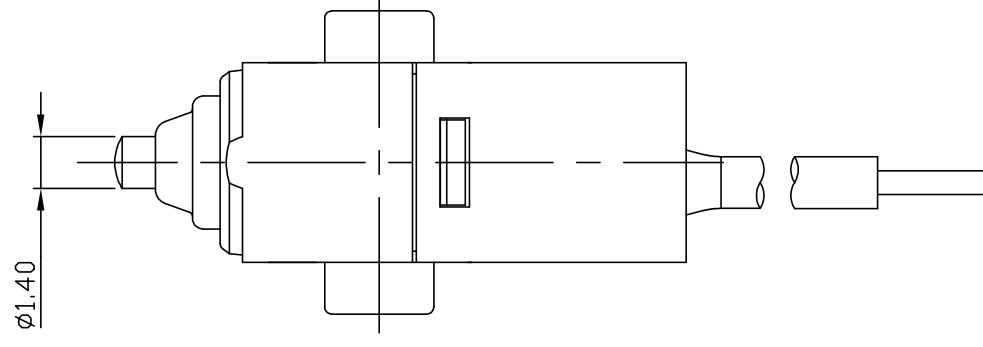
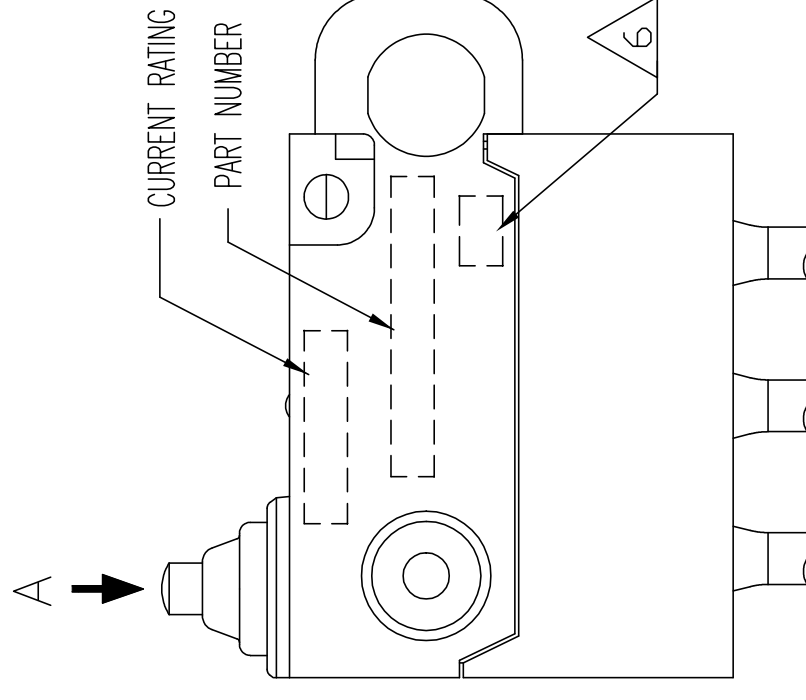
RELEASED FOR PUBLICATION
ALL RIGHTS RESERVED.

REVISIONS

P	LTR	DESCRIPTION	DATE	DWN	APVD
1	1	NEW DRAWING	13MAY2019	GCM	AS



CONTACT FORM



THIS DRAWING IS A CONTROLLED DOCUMENT.

DIMENSIONS: mm

TOLERANCES UNLESS OTHERWISE SPECIFIED:	FINISH
0 PLC ± -	± -
1 PLC ± -	± -
2 PLC ± 0.4	± -
3 PLC ± -	± -
4 PLC ± -	± -
ANGLES	± -

MATERIAL

PRELIMINARY

DWN	13MAY2019	GANESH C M	TE Connectivity Ltd.
CHK	13MAY2019	ALEXANDER SHARPE	
APVD	13MAY2019	ALEXANDER SHARPE	
PRODUCT SPEC			
APPLICATION SPEC			
WEIGHT			
CUSTOMER DRAWING			

NAME: SWITCH, MICRO SNAP ACTION, PIN PLUNGER, FLYING LEADS

SIZE: A3
CAGE CODE: 00779
DRAWING NO: C=2351463

SCALE: NTS
SHEET: 1 of 2
REV: 1

THIS DRAWING IS UNPUBLISHED.		RELEASED FOR PUBLICATION		- . - .	
© COPYRIGHT - TE Connectivity Ltd.		ALL RIGHTS RESERVED.			
REVISIONS		DESCRIPTION		DATE	
P	LTR				
	-	SEE SHEET 1		-	
				DWN	
				APVD	

OPERATING CHARACTERISTICS ARE FOR OPERATION IN THE A DIRECTION ↓

- OPERATING CHARACTERISTICS ARE FOR OPERATION IN THE A DIRECTION ↓
- PACKAGING:
SWITCHES ARE BULK PACKAGED IN BAGS, 200 SWITCHES PER BAG, 5 BAGS PER BOX.
- COMPLIANCE:
THE CURRENT STATEMENT OF COMPLIANCE IS AVAILABLE AT TE.COM.
- MATERIAL AND FINISH:
COVER: THERMOPLASTIC, BLACK
BASE: THERMOPLASTIC, BLACK
BUTTON: THERMOPLASTIC, BLACK
CONTACTS: SILVER ALLOY, SILVER
TERMINAL: BRASS, SILVER PLATED
SPRING: STAINLESS STEEL, SILVER
ACTION ARM: STAINLESS STEEL, SILVER
SEALING CAP: SILICONE RUBBER, COLOR: ORANGE
SPRING PLATE: COPPER ALLOY
BOTTOM COVER: THERMOPLASTIC, BLACK
WIRE: UL 1007, 24AWG, BLACK/BLUE/YELLOW
- SPECIFICATIONS:
CURRENT RATING: SEE TABLE
CONTACT RESISTANCE: 150mΩ MAXIMUM, INITIAL AT FREE POSITION AND TOTAL TRAVEL POSITION
INSULATION RESISTANCE: 100MΩ MINIMUM, @ 500 V DC, 1 MINUTE
DIELECTRIC WITHSTANDING VOLTAGE, BETWEEN TERMINALS OF THE SAME POLARITY: 600 V AC, 50 TO 60 Hz FOR 1 MINUTE
DIELECTRIC WITHSTANDING VOLTAGE, BETWEEN EACH TERMINAL AND GROUND: 1500 V AC, 50 TO 60 Hz FOR 1 MINUTE
DIELECTRIC WITHSTANDING VOLTAGE, BETWEEN EACH TERMINAL AND NON-CURRENT CARRYING METAL PART: 1500V AC, 50 TO 60 Hz FOR 1 MINUTE.
INGRESS PROTECTION: IP67

DATE CODE: ① ②

①	MONTH	1 TO 9, X, Y, Z (X=10, Y=11, Z=12)
②	YEAR	0 TO 9 (EX: 9=2019)

SILVER	SPDT	500,000 CYCLES, MINIMUM	100,000 CYCLES, MINIMUM	-40 TO +85°C/85% RELATIVE HUMIDITY MAXIMUM	-40 TO +85°C/60% RELATIVE HUMIDITY MAXIMUM	0.80 REF	6.675±0.275	7.35 MAXIMUM	13 gf MINIMUM	130 gf MAXIMUM	MOMENTARY	3A, 12VDC 3A, 125VAC 3A, 250VAC	SAJ53YXPP0STDSDLFLQ	2351463-2
CONTACT FINISH	CONTACT FORM	MECHANICAL LIFE	ELECTRICAL LIFE	STORAGE TEMPERATURE RANGE/HUMIDITY RANGE	OPERATING TEMPERATURE RANGE/HUMIDITY RANGE	MOVEMENT DIFFERENTIAL	OVERTRAVEL	FREE POSITION	RELEASE FORCE	OPERATING FORCE	CONTACT CONFIGURATION	CURRENT RATING	TE SMART PART NUMBER	TE PART NUMBER

THIS DRAWING IS A CONTROLLED DOCUMENT.

DIMENSIONS: mm

TOLERANCES UNLESS OTHERWISE SPECIFIED:

0	PLC	± -
1	PLC	± -
2	PLC	± 0.4
3	PLC	± -
4	PLC	± -

ANGLES: ± -

FINISH: -

MATERIAL: -

SIZE: A3

CAGE CODE: 00779

DRAWING NO: C=2351463

RESTRICTED TO: -

SCALE: NTS

SHEET: 2 of 2

REV: 1

CUSTOMER DRAWING

STE

TE Connectivity Ltd.

SWITCH, MICRO SNAP ACTION, PIN PLUNGER, FLYING LEADS

DWN: 13MAY2019, GANESH C M

CHK: 13MAY2019, ALEXANDER SHARPE

APVD: 13MAY2019, ALEXANDER SHARPE

PRODUCT SPEC: -

APPLICATION SPEC: -

WEIGHT: -

PRELIMINARY