

15 V, 0.15 A buck converter using VIPer™ Plus – VIPer0P

Data brief

**Description**

The STEVAL-ISA179V1 evaluation board implements a wide mains range buck converter (15 V / 0.15 A), developed for general purpose applications.

The core of the application is the new VIPer0P off-line high voltage converter of the VIPerPlus family, featuring the Zero Power characteristic.

The device is a high-voltage converter that intelligently integrates an 800 V rugged power MOSFET with PWM current-mode control.

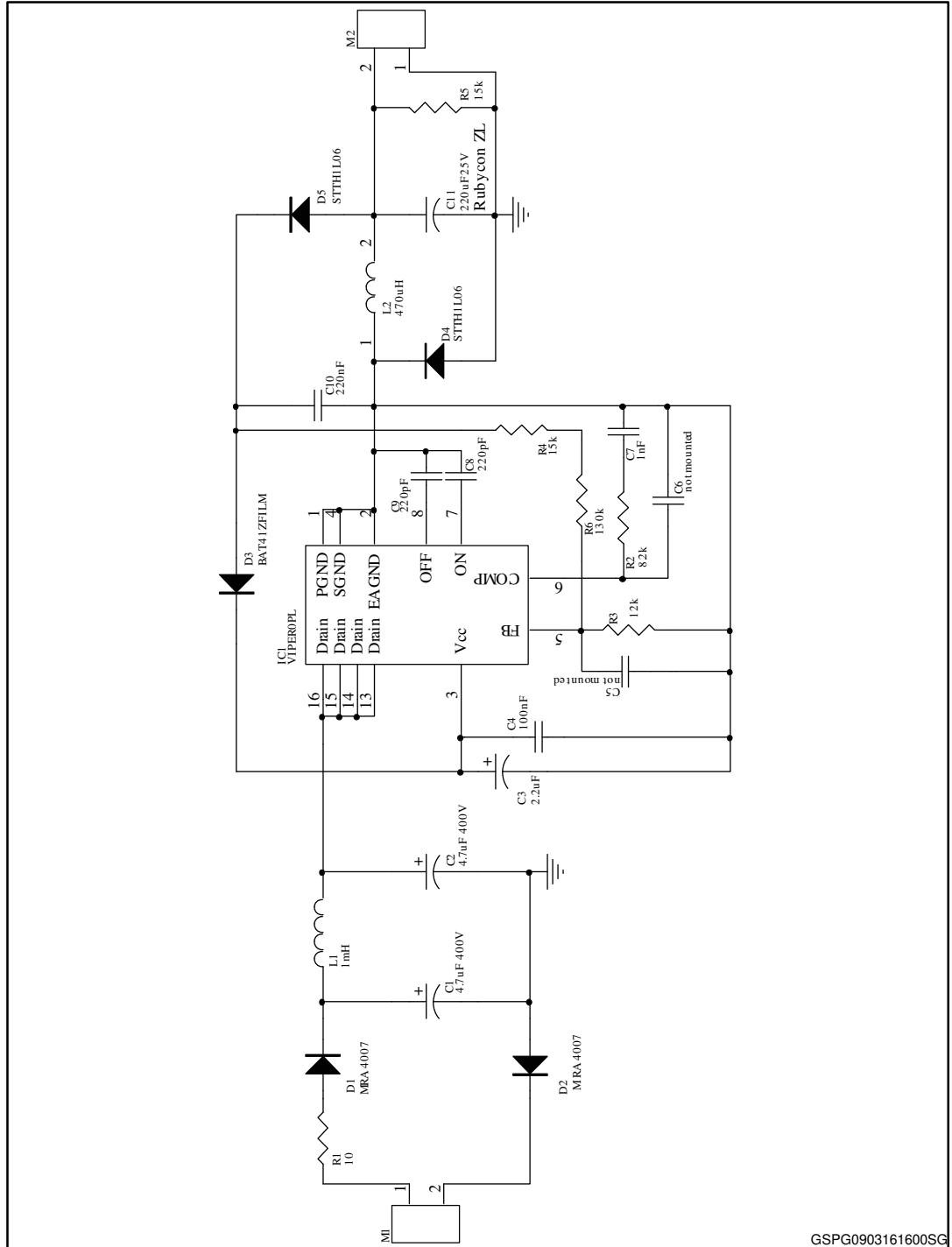
The evaluation board features a single layer design, small size, minimal BOM, high efficiency and low standby consumption.

Features

- Universal AC main input voltage range: 85 V_{AC} to 265 V_{AC}
- Output range: 15 V / 0.15 A
- Rated output power: 2.25 W
- Input power in standby @230 V_{AC}: less than 40 mW
- Active mode efficiency: greater than 77%
- EMI: EN55022-Class-B compliant
- RoHS compliant

1 Schematic diagram

Figure 1: STEVAL-ISA179V1 circuit schematic



GSPG0903161600SG

2 Revision history

Table 1: Document revision history

Date	Version	Changes
14-Mar-2016	1	Initial release.

IMPORTANT NOTICE – PLEASE READ CAREFULLY

STMicroelectronics NV and its subsidiaries ("ST") reserve the right to make changes, corrections, enhancements, modifications, and improvements to ST products and/or to this document at any time without notice. Purchasers should obtain the latest relevant information on ST products before placing orders. ST products are sold pursuant to ST's terms and conditions of sale in place at the time of order acknowledgement.

Purchasers are solely responsible for the choice, selection, and use of ST products and ST assumes no liability for application assistance or the design of Purchasers' products.

No license, express or implied, to any intellectual property right is granted by ST herein.

Resale of ST products with provisions different from the information set forth herein shall void any warranty granted by ST for such product.

ST and the ST logo are trademarks of ST. All other product or service names are the property of their respective owners.

Information in this document supersedes and replaces information previously supplied in any prior versions of this document.

© 2016 STMicroelectronics – All rights reserved