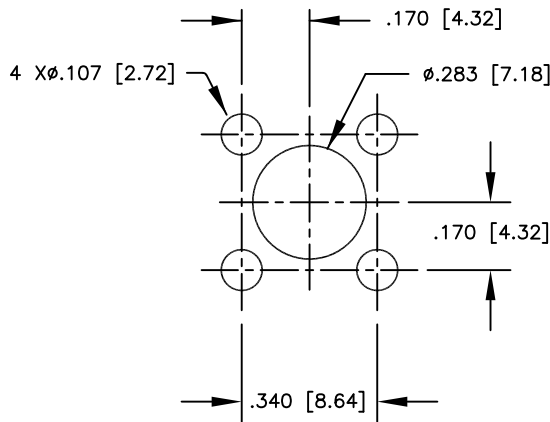


# SPECIFICATION CONTROL DRAWING

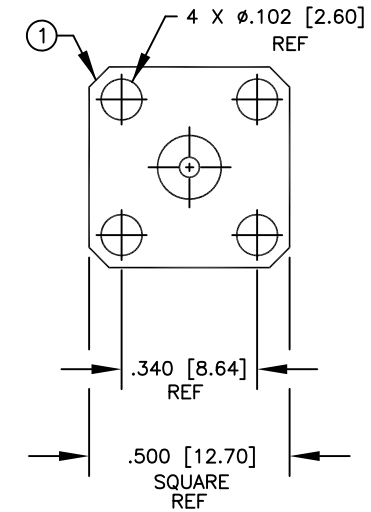
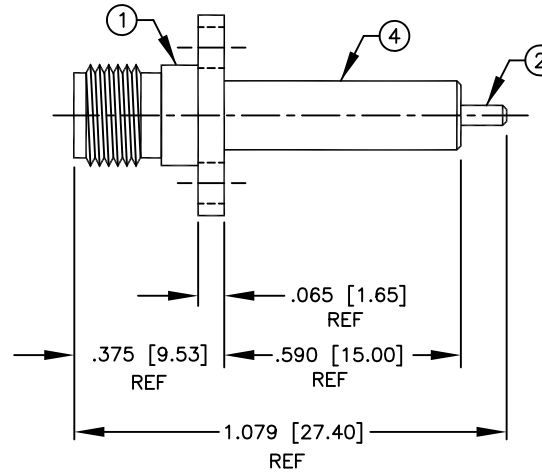
THIS DRAWING CONTAINS INFORMATION PROPRIETARY TO RF INDUSTRIES, LTD. ANY UNAUTHORIZED USE OF THIS DRAWING IS EXPRESSLY PROHIBITED. ANY VIOLATION IS PUNISHABLE UNDER U.S. COPYRIGHT LAWS.

REV	DESCRIPTION	DWN	DATE	APPROVED
A	ENGINEERING RELEASE	WMD	11/17/93	C. JONES
B	CHANGED PART NO. FROM RSA-2363-ED TO RSA-3279	WMD	1/1/94	C. JONES
C	CREATE SECTION DRAWING	KMM	10/30/95	R. RICE
D	CHG LENGTH OF DIELECTRIC \ CHG CONTACT TO BeCu	KMM	8/26/96	R. RICE

008974



SUGGESTED MOUNTING CONFIG



## SPECIFICATIONS:

IMPEDANCE: 50 OHMS  
 WORKING VOLTAGE: 335 VRMS @ SEA LEVEL  
 FREQUENCY RANGE: 0-12.4 GHz

DIMENSIONS ARE IN INCHES AND [MILLIMETERS]

UNLESS OTHERWISE NOTED TOLERANCES ARE:

DECIMALS      DIAMETER

# RF connectors

DIVISION OF RF INDUSTRIES, LTD.

7610 MIRAMAR RD  
 SAN DIEGO, CA 92126  
 (619)549-6340  
 (619)549-6345 FAX

## RSA-3279

SMA FEMALE 4 HOLE FLANGE  
 PANEL MOUNT WITH EXTENDED DIELECTRIC

ITEM	DESCRIPTION	QTY	MATERIAL	FINISH	APPROVALS	DATE
5	PRESS FIT WASHER	1	BRASS	NICKEL	DRAWN K. MAXWELL	8/26/96
4	DIELECTRIC	1	PTFE	NONE		
3	DIELECTRIC	1	PTFE	NONE	CHECKED	
2	CONTACT	1	BeCu	GOLD	ORJ DRAWN W. DANIELS	1/1/94
1	BODY	1	BRASS	NICKEL		

SIZE A	CABLE GROUP N/A	DWG NO. 8256	REV D
SCALE: 2:1		CAD FILE 13ARC B	SHEET 1 OF 1