


10431600	<b>DATA SHEET</b>	
Valid from: 13.04.2023	<b>EPIC® H-Q 5 SCM PE-S / H-Q 5 BCM PE-S</b>	

## Description

- With 5 working contacts in the proven crimp technology and one PE contact with screw termination.
- High performance crimping contacts
- PE contact with screw termination included
- 2 Coding elements with 6 different positions each



## General Characteristics

Series	H-Q 5
Version	Male (Article 10431600) Female (Article 10432600)
Number of Contacts	5+PE
Suitable contacts	EPIC® H-BE 2.5 machined contacts EPIC® H-Q 5 PE protection earth contact
Termination Methods	Crimp termination: 0.14 – 4.0 mm <sup>2</sup>
Termination Methods PE	Screw termination: 0.25 – 4.0 mm <sup>2</sup>
Temperature Range	-40°C to +120°C

## Mechanical Characteristics

Cycle of mechanical operation	500
-------------------------------	-----

## Electrical Characteristics

Rated Voltage, IEC	400 V
Rated Voltage, UL	600 V
Rated Voltage, CSA	600 V
Rated Impulse Voltage	6 kV
Rated Current, IEC	30 A
Rated Current, UL	30 A
Rated Current, CSA	22 A
Contact Resistance	< 2 mOhm
Degree of Soiling	3

## Materials and Surfaces

Contacts	Copper alloy, hard silver/gold-plated
Insulating Body	PA
Flammability Class according to UL 94	V0

## Approvals


UL-Approval, E-File-Number	E75770
----------------------------	--------



## Standard

Safety Standard	IEC 61984, UL 1977, CSA 22.2 182.3
-----------------	------------------------------------

Creator: STKU3/PDP Released: IVSE1/PDP	Document: DB10431600EN Version: 03	Page 1 of 2
---	---------------------------------------	-------------

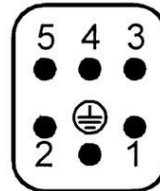
10431600	<b>DATA SHEET</b>	
Valid from: 13.04.2023	<b>EPIC® H-Q 5 SCM PE-S / H-Q 5 BCM PE-S</b>	

**Technical Drawings**



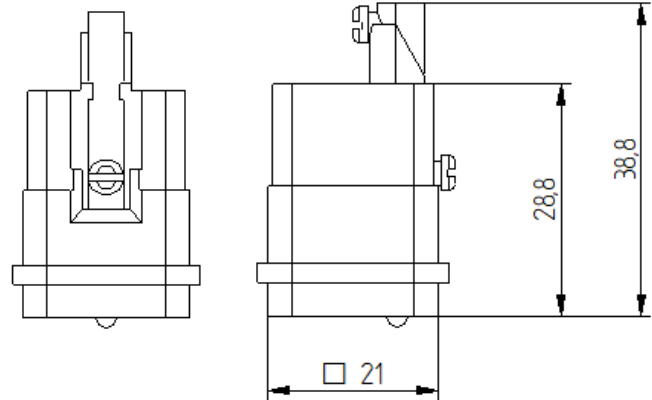
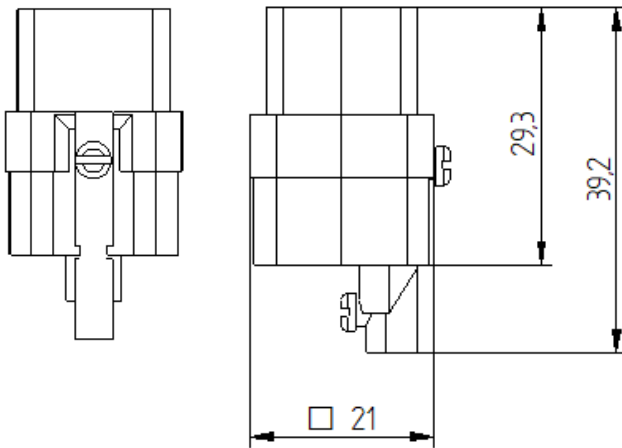
**M**

**F**



**F**

**M**



Industrial machinery and plant engineering

**Info**

Compact, powerful standard insert  
Space saving, crimping contact

**Application range**

Machine and equipment manufacturing  
Control engineering

**Remark**

Photographs are not to scale and do not represent detailed images of the respective products.

Creator: STKU3/PDP Released: IVSE1/PDP	Document: DB10431600EN Version: 03	Page 2 of 2
---	---------------------------------------	-------------