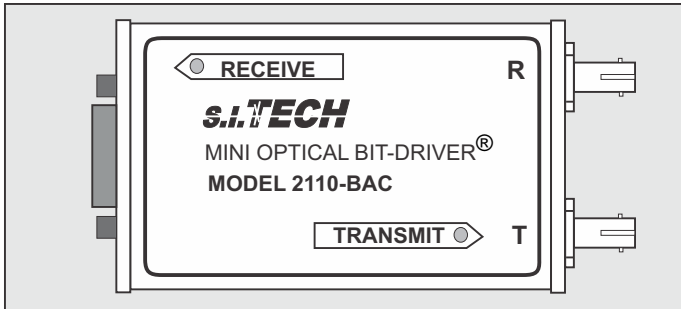


Model 2110-BAC (Bacnet)



Optical Asynchronous Mini Bit-Driver[®] Point to Point



Features:

- 0 to 76.8 Kbps asynchronous, RS-485 half duplex operation
- 6600 ft. (2Km) maximum distance capability
- 0 °C to + 50 °C operating range
- ST connector receptacle
- Designed to work with 2110-BAC (Bacnet) @ 38.4 Kbps or 2110-BAC(T) @ 76.8 Kbps
- For card version use 2310-BAC
- Cable assembly use 7110
- Data speed set at the factory

Operation Mode: Asynchronous, bi-directional, half duplex

Input/Output Interface: RS485, 9 pin type D, asynchronous at 0 to 76.8 Kbps** connects directly to terminal (RS485 cable not required)

Transmission Line Interface: ST connector is standard for interfacing with fiber optic cable

Transmission Distance: See distance chart

Optical Power into a 50 Micron

Core Optical Fiber: 0.5 microwatt, 10 dB power budget* @ 880 nanometers

Receiver Sensitivity: 50 nanowatts at less than 10⁻⁹ bit error rate

Operating Temperature: 0 °C to 50 °C

Metal Enclosure: 1.75 x 3 x 0.625 in (4.5 x 7.5 x 1.6 cm)
Panel or DIN rail mounting option

Weight: 0.25 lb (100 grams)

Input Power: External with power supply (S.I. Tech #2121 - 110 VAC to 12 Volt DC)

230V Version: Use S.I.Tech 2164 power supply

** Data rate must be set at factory

Meets FCC requirements of Class A, Part 15 Computing Devices Standard.
Specifications subject to change without notice.



RS - 485 9 PIN CONNECTOR - FEMALE PINS UTILIZED BY 2110 MINI BIT - DRIVER[®]

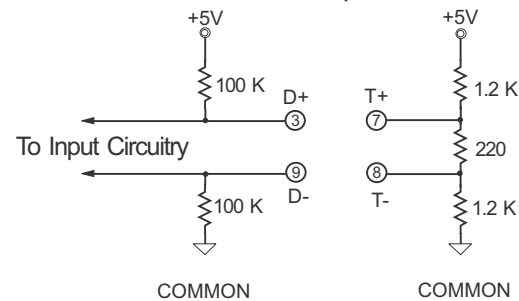
Pin No.	Description	Symbol
1	Signal Ground	SG
2	NC	
3	Data (+)	D +
5	Signal Ground	SG
6	NC	
7	Termination (+)	T +
8	Termination (-)	T -
9	Data (-)	D -

OPERATING DISTANCE FOR FIBER OPTIC CABLE

Fiber Size (Microns)	Attenuation dB/Km	Distance Meters*	Distance Feet*
50	3.0	2000	6600
62.5	4.0	2000	6600
8 SM**	1.0	10,000	33,000

* High power option available ** Single mode option

Termination Resistors provided in Bit-Driver



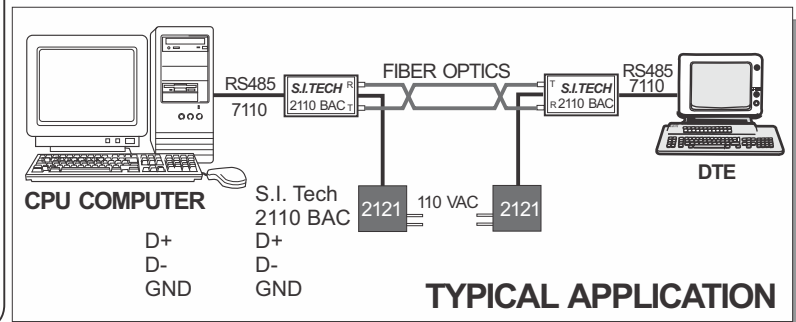
ORDERING INFORMATION

Model Numbers

2110-BAC	Bacnet @ 38.4 Kbps, RS-485 to Multimode Fiber, ST
2110-BAC(T)	Bacnet @ 76.8 Kbps, RS-485 to Multimode Fiber, ST
2110-BAC-SM	Bacnet @ 38.4 Kbps, RS-485 to Single Mode Fiber, ST
2110-BAC(T)-SM	Bacnet @ 76.8 Kbps, RS-485 to Single Mode Fiber, ST
2110-DIN-BAC	Bacnet @ 38.4 Kbps, RS-485 to Multimode Fiber, DIN Rail, ST
2110-DIN-BAC(T)	Bacnet @ 76.8 Kbps, RS-485 to Multimode Fiber, DIN Rail, ST
2110-DIN-BAC-SM	Bacnet @ 38.4 Kbps, RS-485 to Single Mode Fiber, DIN Rail, ST
2110-DIN-BAC(T)-SM	Bacnet @ 76.8 Kbps, RS-485 to Single Mode Fiber, DIN Rail, ST

Notes:

1. Power Supply # 2121 is required for all models (110VAC to 12 VDC).
2. Power Supply #2164 is for 230VAC applications



TYPICAL APPLICATION