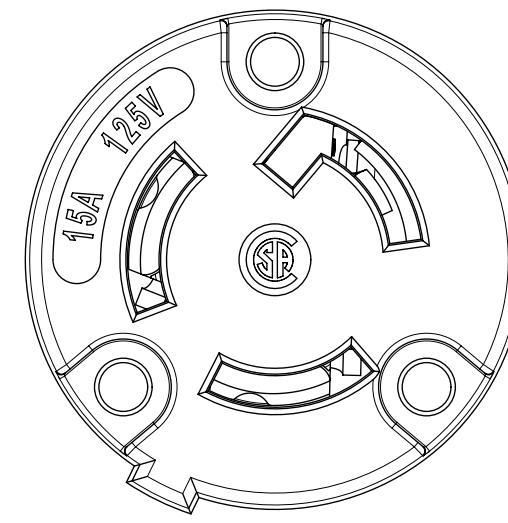
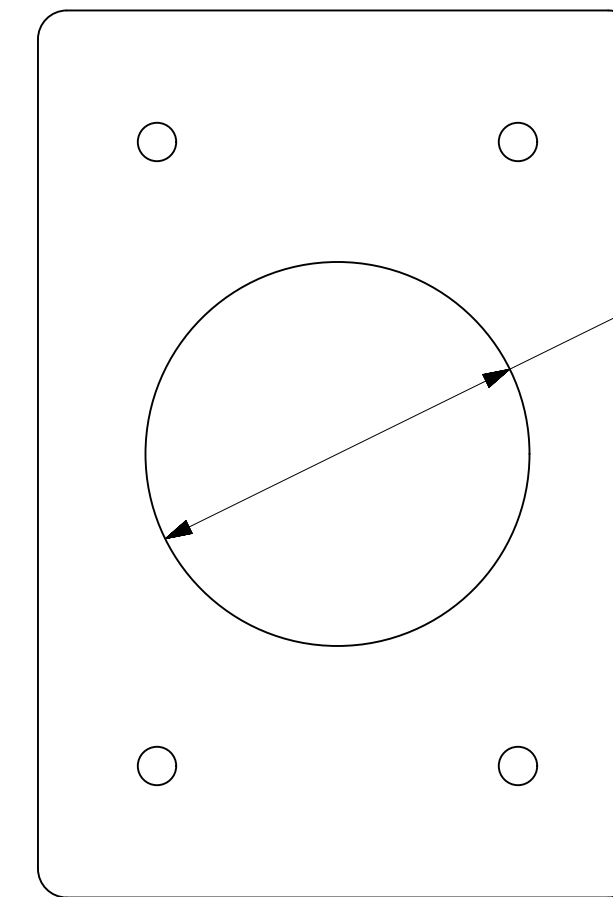
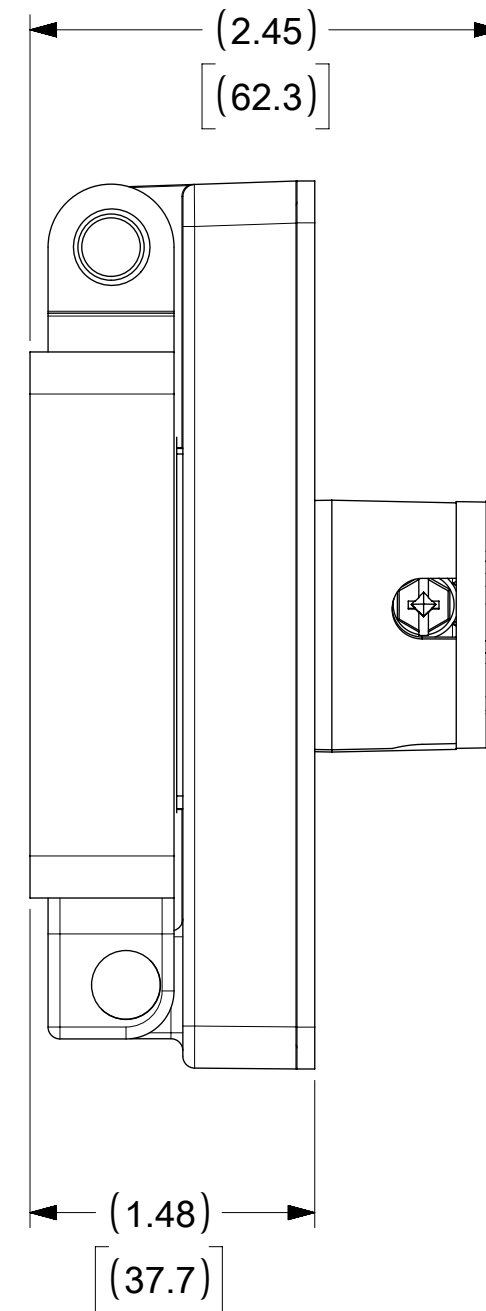
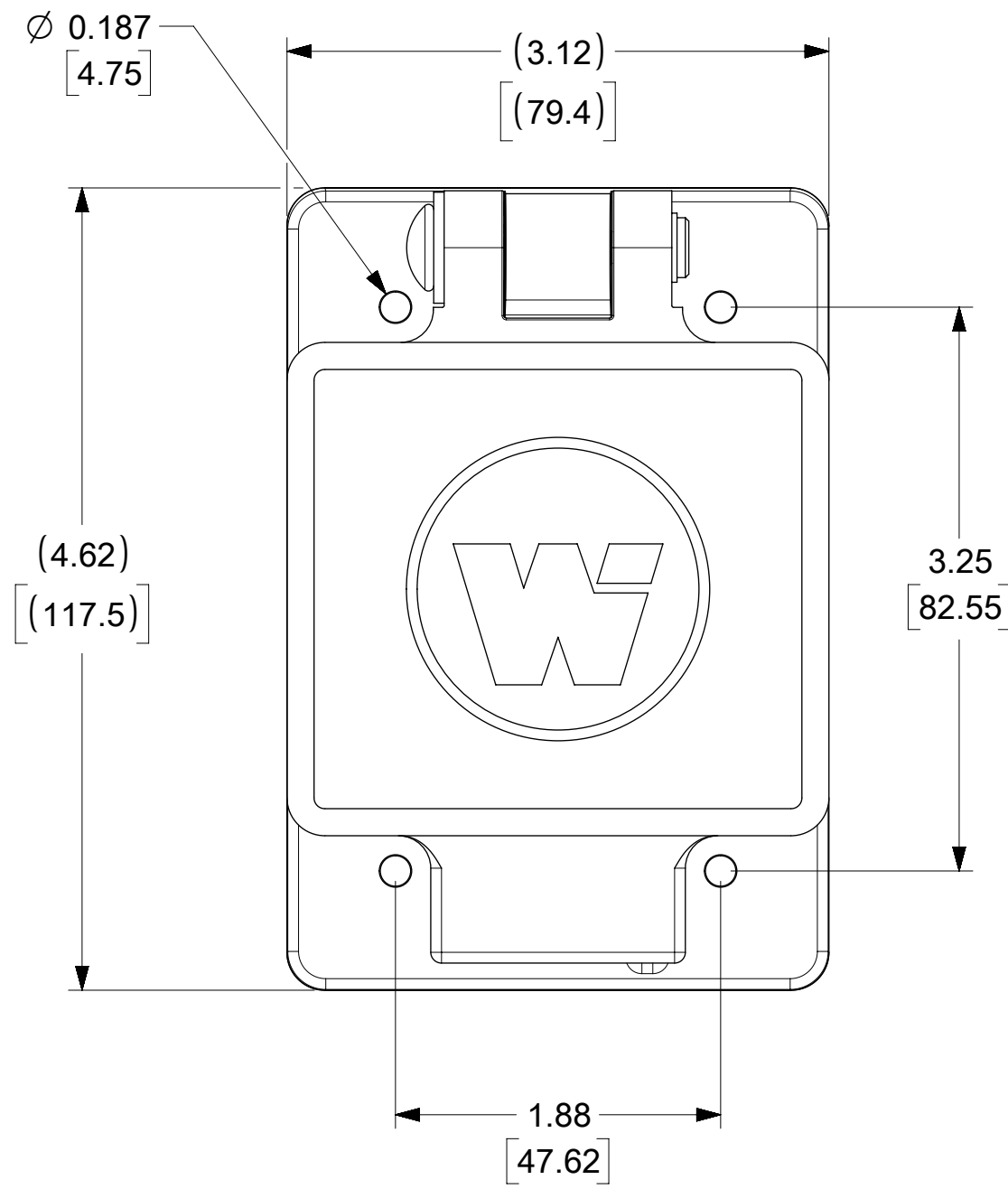
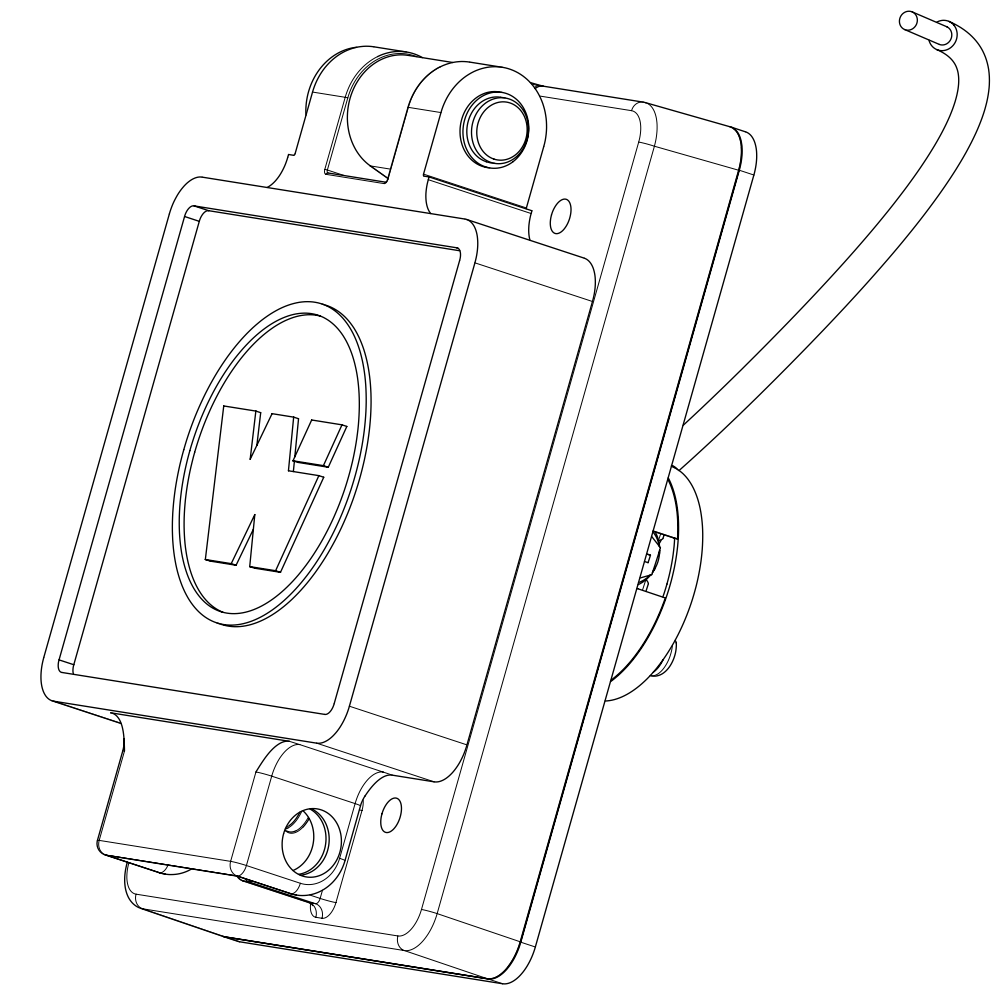


ORDER NO.	WOODHEAD NO.	COLOR
130146-0149	65W47	YELLOW
130146-0150	65W47BLK	BLACK



FACE VIEW



CLEARANCE HOLE
(FOR PANEL MOUNT)

DESCRPTION	MATERIAL	QTY.
BLADES	BRASS, NICKEL PLATED	3
RETAINING SCREWS	STAINLESS STEEL	3
CLAMP AND TERMINAL SCREW ASSY.	BRASS, ZINC PLATED	3
FEMALE INSERT	NYLON	1
TERMINAL COVER	POLYCARBONATE	1
COVER ASSEMBLY	POLYCARBONATE, STAINLESS STEEL, ALUMINUM	1
GASKET FLIP	NEOPRENE	1
SUPPORT PLATE	STAINLESS STEEL	1
SCREW (GROUND WIRE)	STAINLESS STEEL	1
JUMPER WIRE ASSY	COPPER, BRASS (TINNED FINISH)	1

THIS DRAWING CONTAINS INFORMATION THAT IS PROPRIETARY TO MOLEX ELECTRONIC TECHNOLOGIES, LLC AND SHOULD NOT BE USED WITHOUT WRITTEN PERMISSION									
SYMBOLS		DIMENSION UNITS		SCALE		CURRENT REV DESC: MIGRATE TO ECTR/NX			
▽ = 0	INCH	MM	NTS	EC NO: 613579 DRWN: SRPATIL 2018/12/20 CHK'D: DNGUYEN62 2019/03/14 APPR: HKNEELAND 2019/03/21 INITIAL REVISION: DRWN: SRPATIL 2018/12/20 APPR: HKNEELAND 2019/03/21					
▽ = 0	GENERAL TOLERANCES (UNLESS SPECIFIED)								
▽ = 0	4 PLACES	±	±						
▽ = 0	3 PLACES	±	±						
▽ = 0	2 PLACES	±	±	PRODUCT CUSTOMER DRAWING DOCUMENT NUMBER: 1301460149 DOC TYPE: PSD DOC PART: 000 REVISION: A					
▽ = 0	1 PLACE	±	±						
▽ = 0	0 PLACES	±	±	ANGULAR TOL ± °		THIRD ANGLE PROJECTION		DRAWING SERIES: C-SIZE 130146	
▽ = 0	DRAFT WHERE APPLICABLE MUST REMAIN WITHIN DIMENSIONS			MATERIAL NUMBER: SEE TABLE		CUSTOMER: GENERAL MARKET		SHEET NUMBER: 1 OF 1	

DOCUMENT STATUS	P1	RELEASE DATE	2019/03/21 15:23:30
-----------------	----	--------------	---------------------