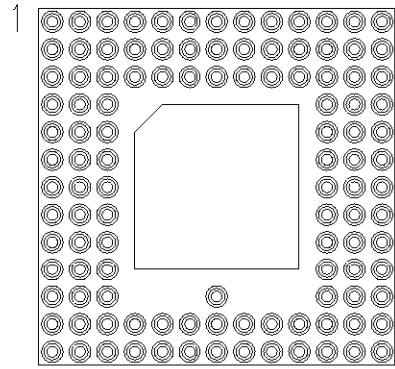
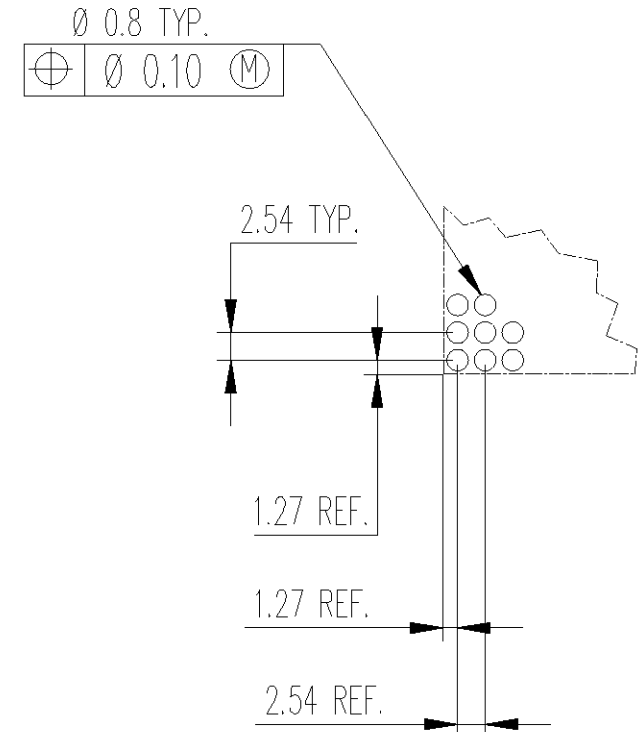
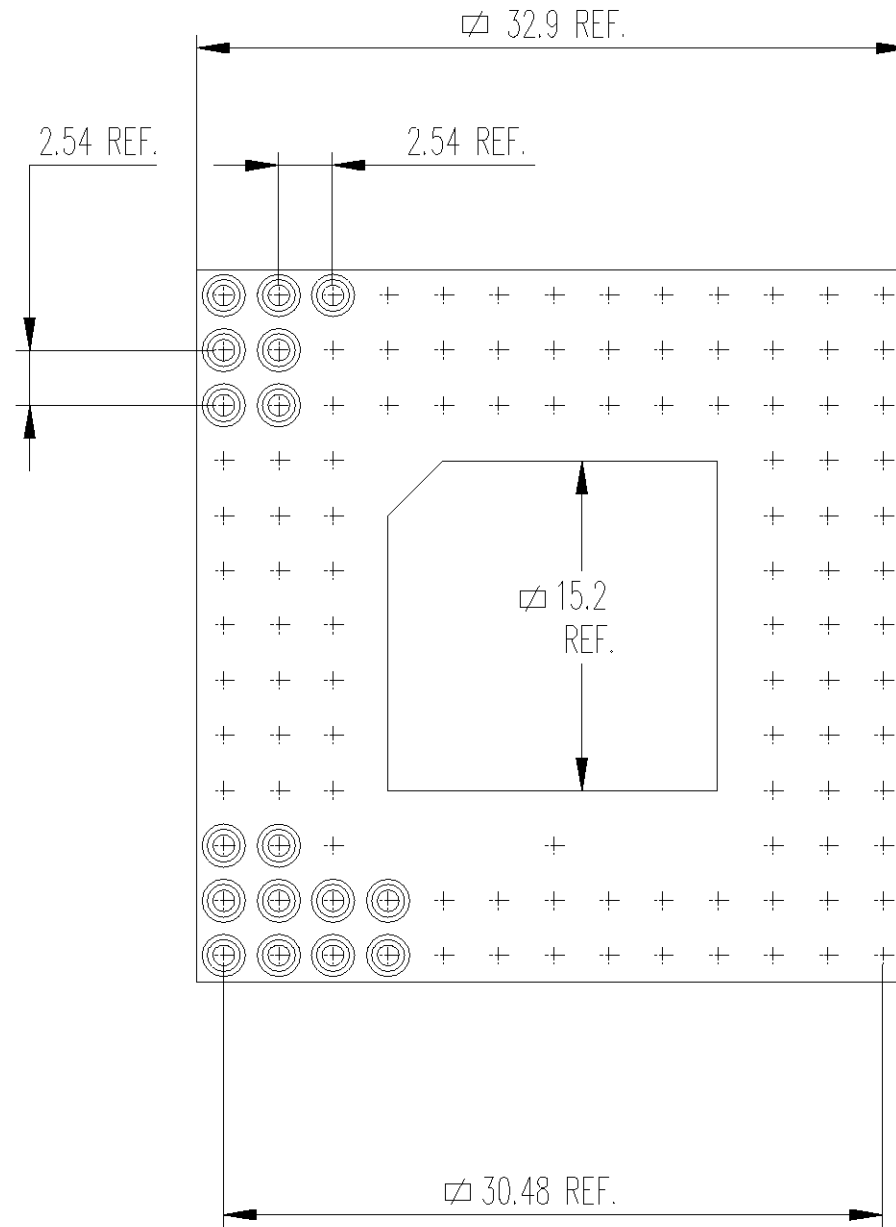
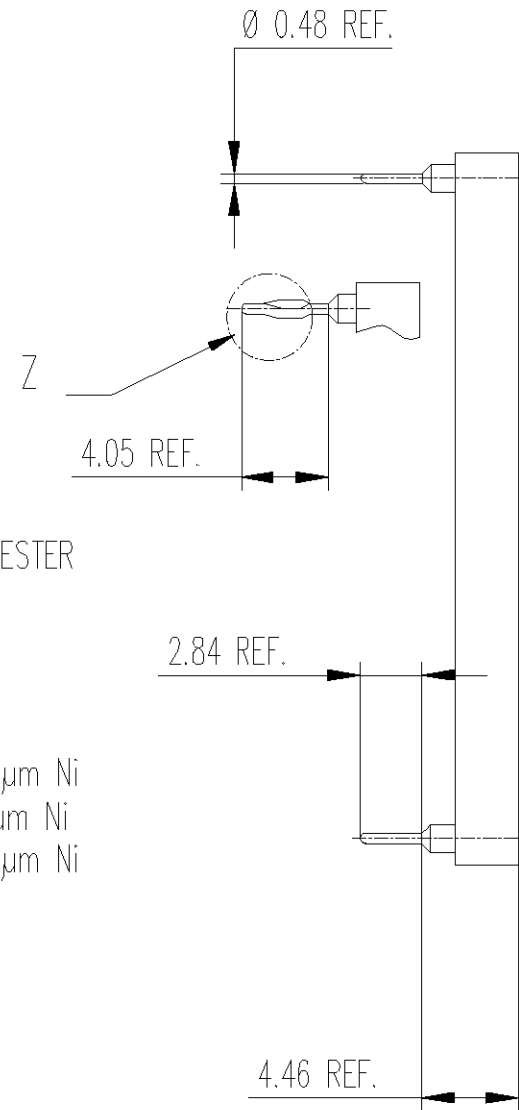


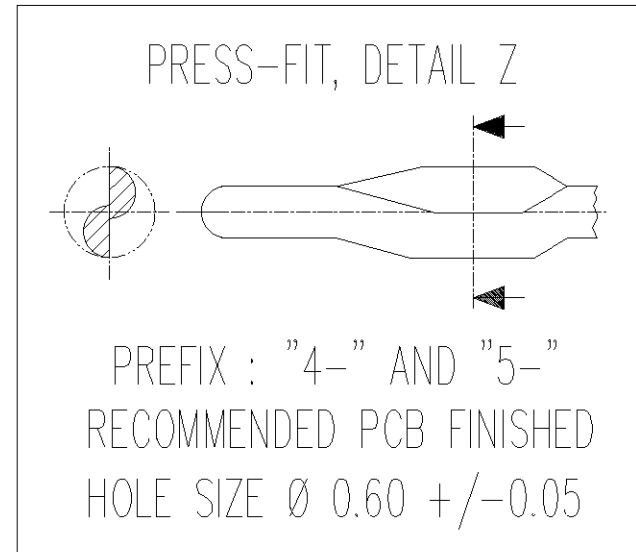
DRAWING NO
C - 210223



114 positions
Ech. 1:1



RECOMMENDED P.C.
BOARD PATTERN
Ech. 1:1



NOTE :

1. MATERIAL
 - INSULATOR : GLASSFILLED THERMOPLASTIC POLYESTER
 - SOLDER TAIL SLEEVE : BRASS
 - PRESS-FIT SLEEVE : PHOSPHOR BRONZE
 - CLIP : STAMPED BERYLLIUM COPPER
2. SLEEVE PLATING:
 - PREFIX "0-" AND "2-": 5 μ m Sn/Pb OVER 2-3 μ m Ni
 - PREFIX "1-" AND "3-": 0.25 μ m Au OVER 2-3 μ m Ni
 - PREFIX "4-" AND "5-": 3 μ m Sn/Pb OVER 2-3 μ m Ni
3. INNER CONTACT PLATING
 - SUFFIX "-1" 0.25 μ m 18c. Au
 - SUFFIX "-3" 0.75 μ m 18c. Au
 - SUFFIX "-4" 0.75 μ m 24c. Au
 - SUFFIX "-5" 5 μ m MIN. Sn/Pb **
 - SUFFIX "-6" 0.1 μ m FLASH 24c. Au
 - ** ONLY WITH PREFIX "0-", "2-", "4-" AND "5-"

4. INNER SPRING CONTACT ACCEPT $\varnothing 0.40$ TO 0.56
OR RECTANGULAR PIN 0.25×0.45

5. INSERTION CHARACTERISTICS:
-PREFIX "0-", "1-" AND "4-": VERY LOW FORCE
-PREFIX "2-", "3-" AND "5-": ULTRA LOW FORCE

6. MECHANICAL DATA WITH A $\varnothing 0.43$ TEST PIN :

-MAX. INSERTION FORCE : $\frac{VI}{0.7N}$ $\frac{ULI}{0.2N}$
-MIN. EXTRACTION FORCE : $\frac{VI}{0.1N}$ $\frac{ULI}{0.05N}$
-MECHANICAL LIFE : 100 CYCLES MIN.

WAS 700-114-1-13-0-CC AND CCAP

DIMENSIONS	mm						DRAWN P.-A. MEIER	05 FEB 99	THIS INFORMATION IS CONFIDENTIAL AND IS DISCLOSED TO YOU ON CONDITION THAT NO FUTHER DISCLOSURE IS MADE BY YOU TO OTHER THAN AMP PERSONNEL WITHOUT WRITTEN AUTHORIZATION FROM DSM SWITZERLAND.			
							CHECKED A. BOLIS	05 FEB 99				
SURFACE TEXTURE							APPROVED		NAME OPEN FRAME PGA 13 x 13, 114 SOCKETS			
CONCENTRICITY			02	EW00-0014-02	E. BRESSOUD	30 JAN 02	H. CACHOD					
PRODUCT SPEC.			P	REV	ECN	DRWN	DATE	APVD				
AMP DSM DECOLLETAGE SA SAINT-MAURICE CH 1890 SAINT-MAURICE (VS)							LOC EK	SCALE 2/1	SIZE A4	DRAWING NO C - 210223	SHEET 1 of 1	REVISION 02