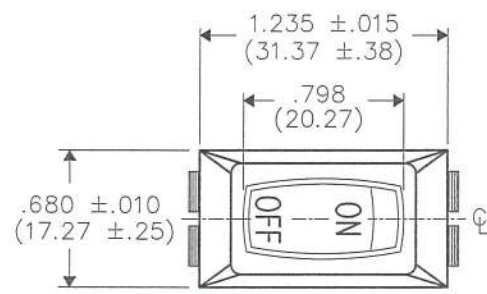
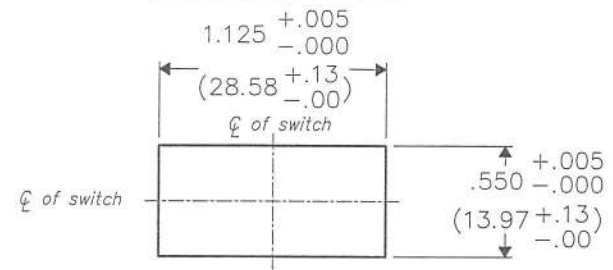


THIS INFORMATION IS CONFIDENTIAL AND PROPRIETARY TO CW INDUSTRIES INCORPORATED AND ITS AFFILIATES. IT MAY NOT BE DISCLOSED TO ANYONE OTHER THAN CW INDUSTRIES PERSONNEL, WITHOUT WRITTEN AUTHORIZATION FROM CW INDUSTRIES INCORPORATED, SOUTHAMPTON, PENNSYLVANIA, U.S.A.

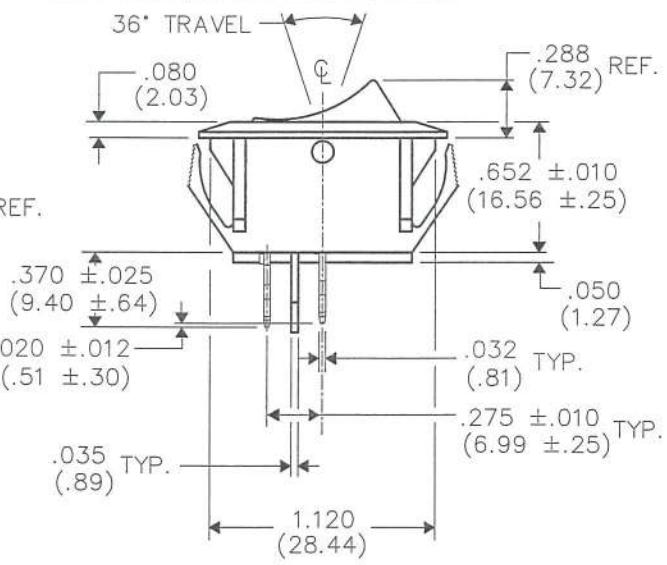
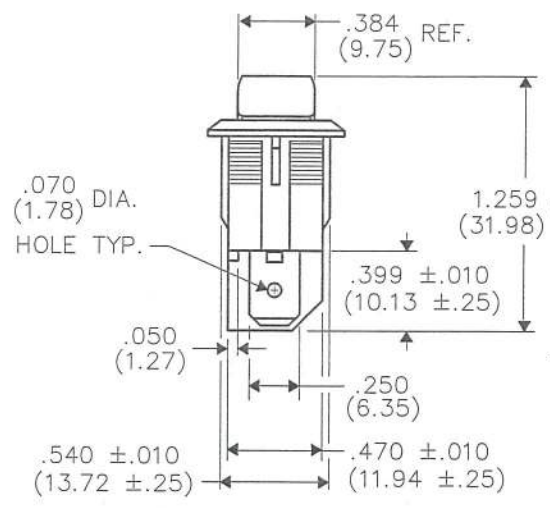
DIMENSIONS IN INCHES (MILLIMETERS)
 DO NOT SCALE DRAWING
 Dwg. No. **GRS-2011-2015**

PANEL PIERCING



SWITCH COLOR - Black
 LEGEND COLOR - White

SWITCH RATINGS:
 UL & CSA
 16A. 125VAC 12A. 250VAC
 3/4 H.P. 125-250 VAC
 10A. 14V (T)



1 2 3 4 5 6 7 8 9 10

B-FORMAT 2002	REVISIONS	0
	RELEASED.	JUL 19 2013
	7-01-13	

PDF MADE	CW INDUSTRIES Southampton, Pa. 18966	Title: ROCKER SWITCH ASSEMBLY S.P.S.T.
	TOLERANCES UNLESS OTHERWISE SPECIFIED	NON-POLARIZED W/BARRIER
	2 Place Decimal ±.010 METRIC	1.125" x .550" PANEL
	3 Place Decimal ±.005	1 Place Dec. ±.25mm 2 Place Dec. ±.13mm
Made for: CW IND.	Division: SWITCH	
Drawn by: DGW 7-01-13	Dwg. No. GRS-2011-2015	
Checked by: <i>G. Gold 7-2-13</i>		
Approval: <i>G. Gold 7-2-13</i>		

MASTER