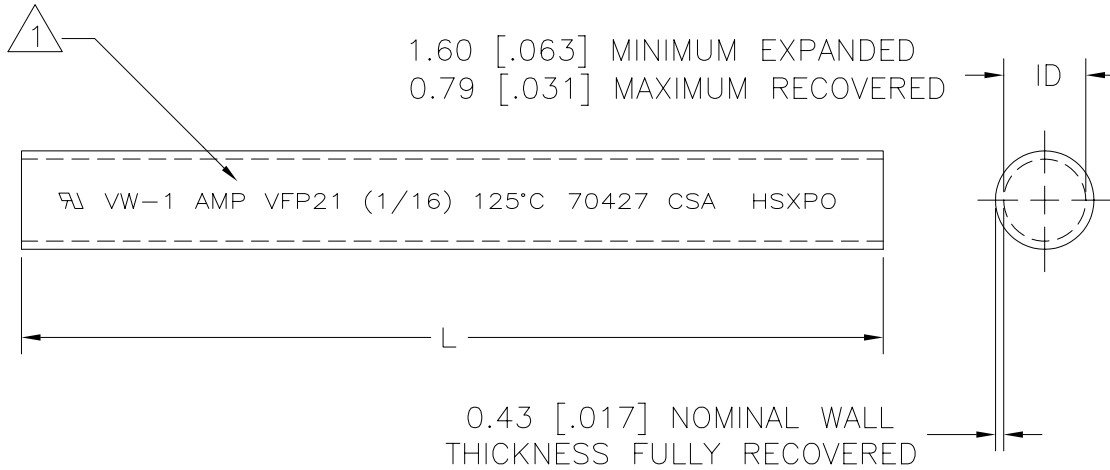


REVISIONS		
LTR	DESCRIPTION	DATE
H	REVISED PER DCR NO R060222	10/13/2006



1 TUBING VFP21 MARKED AS SHOWN IN WHITE CHARACTERS ON SURFACE INDICATED.

2 TUBING VFP21 IS UL RECOGNIZED, IS RATED 125°C [257°F], 600 V AND MEETS VW-1 FLAME TEST.

3 TUBING VFP21 IS CSA CERTIFIED AND MEETS VW-1 FLAME TEST.

4 TUBING FP21 IS UNMARKED AND MEETS REQUIREMENTS OF AMS-DTL-23053/5-102-0

5. WEIGHT PER LINEAR FOOT/304.8 mm:
.51 g/.001 lbs.

6. MATERIAL: BLACK POLYOLEFIN

If this document is printed it becomes uncontrolled. Check for the latest revision

4	4	304.8 m [1000 ft] MINIMUM	1-603322-2
		1.22 m [4 ft] MINIMUM	1-603322-1
1	2 3	304.8 m [1000 ft] MINIMUM	603322-3
		1.22 m [4 ft] MINIMUM	603322-1
MARKING	NOTES	LENGTH L	PART NUMBER

SPECIFICATION CONTROL DRAWING

UNLESS OTHERWISE SPECIFIED DIMENSIONS ARE IN mm. INCH DIMENSIONS ARE IN BRACKETS.	DRAWN	DATE	Tyco Electronics Corporation 300 Constitution Drive Menlo Park, CA. USA 94025	
	UNGUYEN	10/13/2006		
DECIMALS .XX ± .01 [.0004 in] .X ± .1 [.004 in] ANGLES .X ± 0.5 DEG	RPN	TITLE		
	CAD NAME	AMPSULATION VFP21 AND FP21 1/16 INCH ID, BLACK		
THIRD ANGLE PROJECTION	SIZE	CODE IDENT. NO.	DWG. NO.	
	B	06090	603322	
DO NOT SCALE THIS DRAWING			SHEET 1 OF 1	