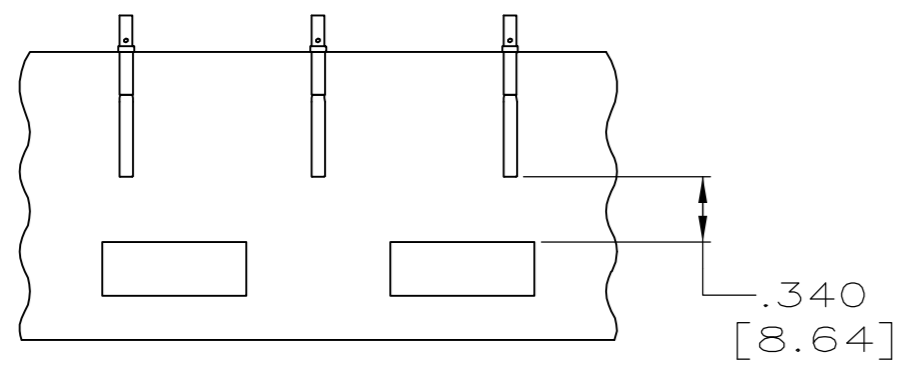


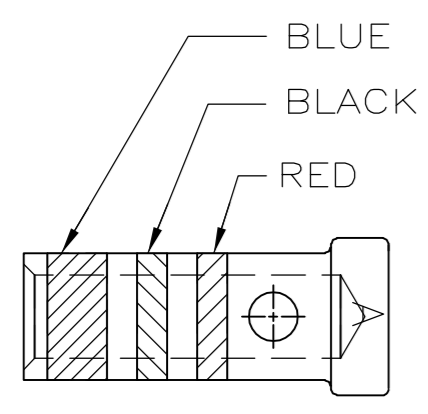
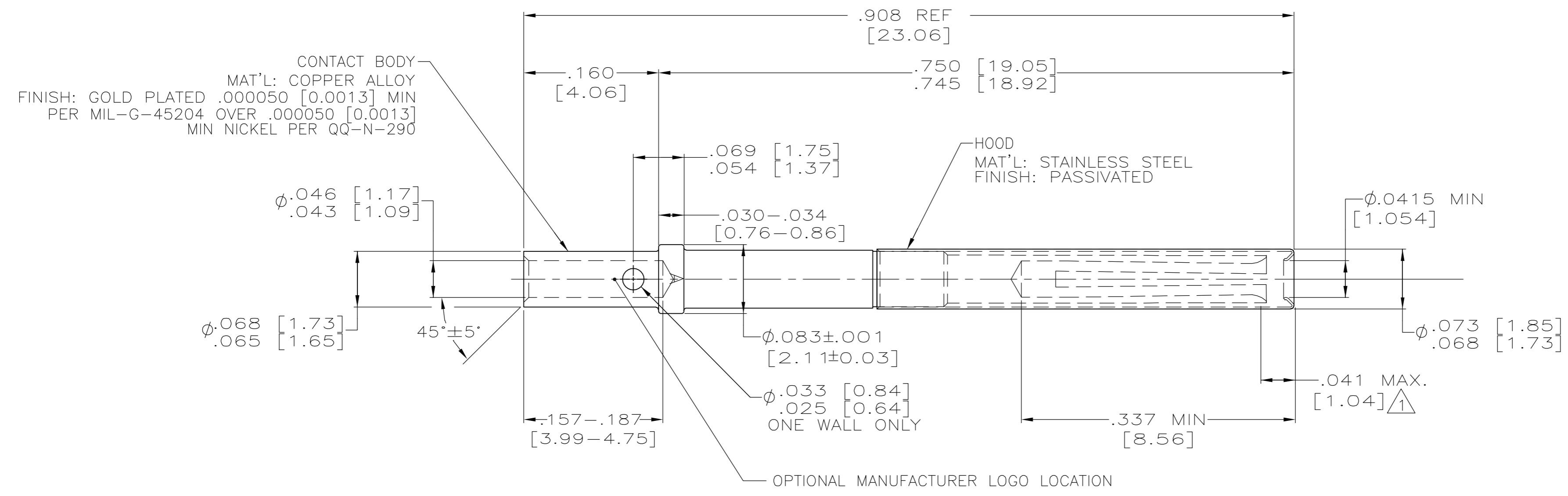
THIS DRAWING IS UNPUBLISHED. RELEASED FOR PUBLICATION
 © COPYRIGHT BY TYCO ELECTRONICS CORPORATION. ALL RIGHTS RESERVED.

LOC	DIST	REVISIONS					
DF	A0	P	LTR	DESCRIPTION	DATE	DWN	APVD
		F		REV PER EC 0H14-0154-04	23JAN06	TK	CT

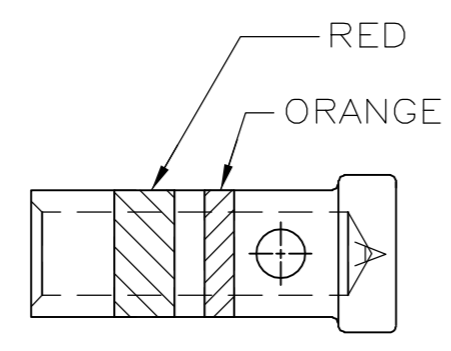


DETAIL A
 SCALE 1:1
 TAPE MOUNTED
 (-3 ONLY)

ELECTRICAL ENGAGEMENT POINT.



DETAIL C
 -4 ONLY



DETAIL B
 -2 & -3 ONLY

SEE DETAIL C	208267-4
SEE DETAIL A & B	208267-3
SEE DETAIL B	208267-2
DESCRIPTION	PART NO.

THIS DRAWING IS A CONTROLLED DOCUMENT.		DWN	C.C.THOMAS	12/21/00	Tyco Electronics Corporation Harrisburg, PA 17105-3608
DIMENSIONS: INCHES		CHK	S.GLATFELTER	1-10-01	
TOLERANCES UNLESS OTHERWISE SPECIFIED:		APVD	S.GLATFELTER	1-10-01	
0 PLC ± - 1 PLC ± - 2 PLC ± - 3 PLC ± .005 [0.13] 4 PLC ± - ANGLES ± -		NAME			
MATERIAL: SEE CALLOUTS		FINISH: SEE CALLOUTS		WEIGHT	-
SEE CALLOUTS		SEE CALLOUTS		CUSTOMER DRAWING	
SIZE			A2	CAGE CODE	00779
DRAWING NO			C=208267		RESTRICTED TO
SCALE			10:1		SHEET
SHEET			1 of 1		REV
REV			F		