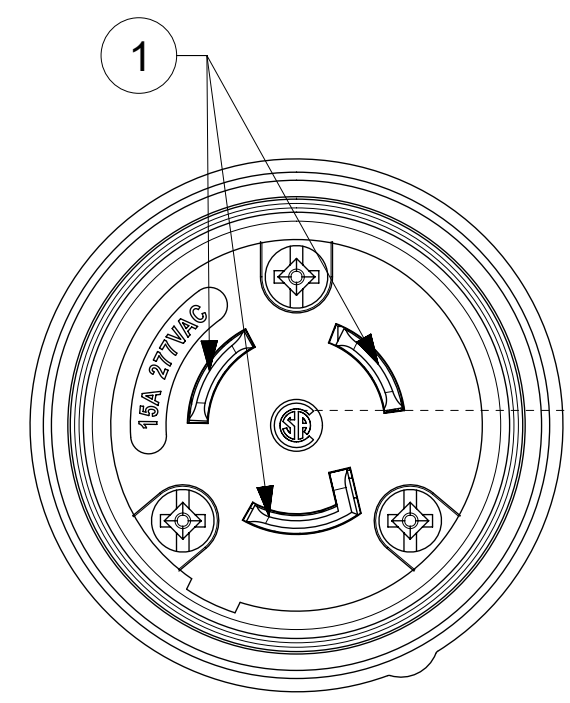
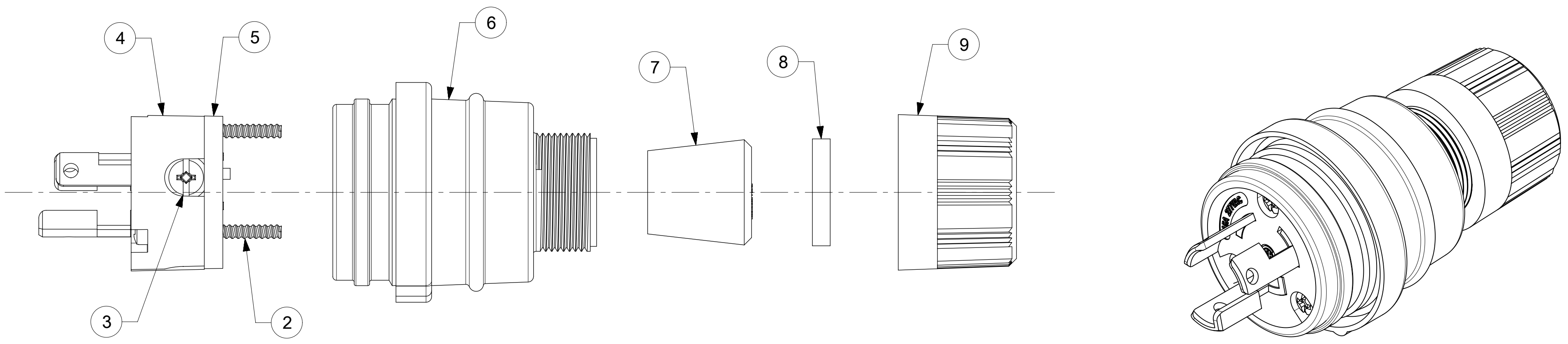
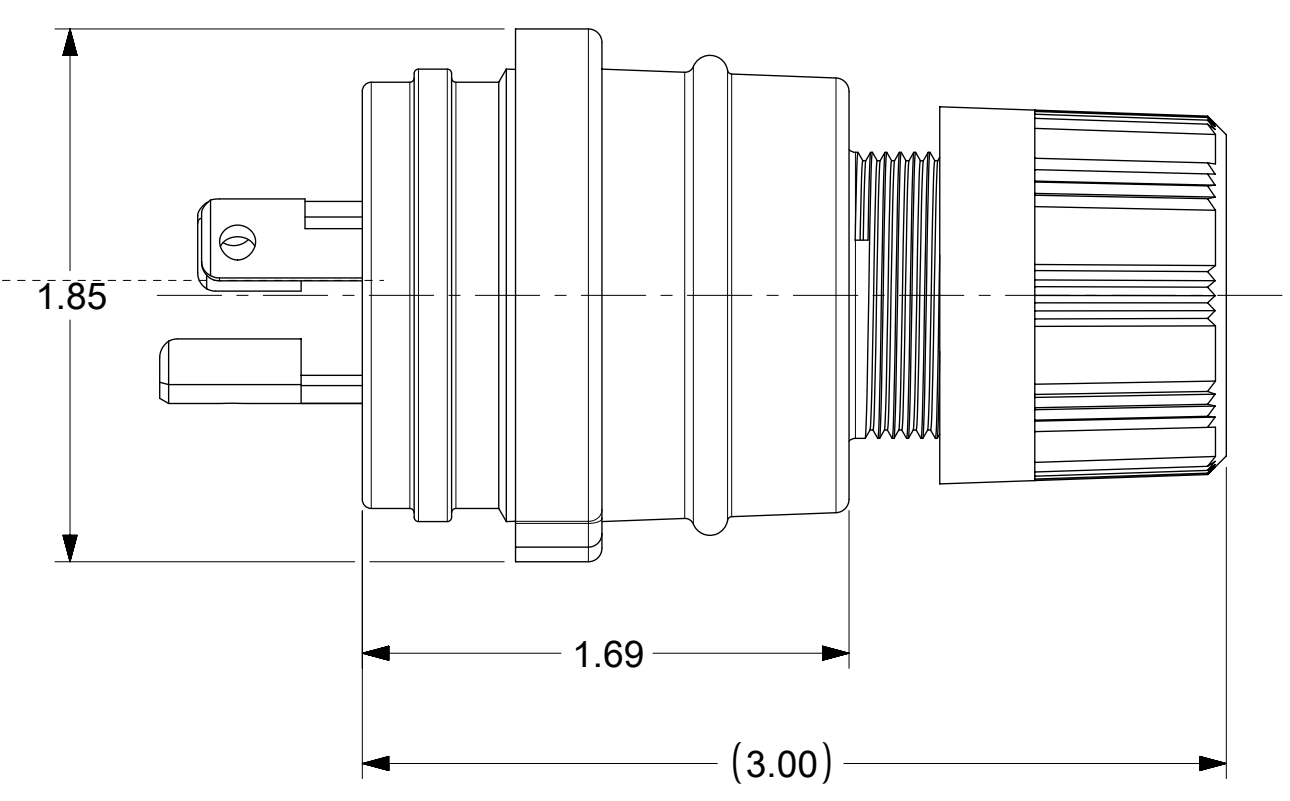


ORDER NO.	WOODHEAD NO.	COLOR
130146-0207	24W34-P	YELLOW
130146-0208	24W34BLK-P	BLACK



FACE VIEW



- NOTES:**
- SEE INSTRUCTION SHEET NUMBER 1301414770 FOR PRODUCT SPECIFICATION.
 - CABLE RANGE FROM 0.375" TO 0.625"

ITEM NO.	DESCRIPTIONS	MATERIAL	QTY.
1	BLADES	BRASS	3
2	RETAINING SCREWS	STAINLESS STEEL	3
3	TERMINAL SCREWS	BRASS, ZINC PLATED	3
4	INSERT	NYLON	1
5	TERMINAL COVER	POLYCARBONATE	1
6	HOUSING	RUBBER WITH NYLON THREAD	1
7	GROMMETS	RUBBER	5
8	FRICTION RING	NYLON	1
9	COMPRESSION NUT	NYLON	1

SYMBOLS ▽ = 0 ▽ = 0 ▽ = 0 ▽ = 0 ▽ = 0 ▽ = 0 ▽ = 0 ▽ = 0 ▽ = 0 ▽ = 0 ▽ = 0 ▽ = 0		THIS DRAWING CONTAINS INFORMATION THAT IS PROPRIETARY TO MOLEX ELECTRONIC TECHNOLOGIES, LLC AND SHOULD NOT BE USED WITHOUT WRITTEN PERMISSION. DIMENSION UNITS: INCH SCALE: NTS CURRENT REV DESC: RELEASED GENERAL TOLERANCES (UNLESS SPECIFIED) ANGULAR TOL ± 0.5° 4 PLACES ± 3 PLACES ± 0.005 2 PLACES ± 0.01 1 PLACE ± 0.02 0 PLACES ± DRAFT WHERE APPLICABLE MUST REMAIN WITHIN DIMENSIONS		EC NO: 613683 DRWN: ABABU01 2018/11/13 CHK'D: DNGUYEN62 2019/03/15 APPR: HKNEELAND 2019/03/21 INITIAL REVISION: DRWN: ABABU01 2018/11/13 APPR: HKNEELAND 2019/03/21				WATERTITE PLUG, L7-15P		PRODUCT CUSTOMER DRAWING	
DOCUMENT STATUS: P1 RELEASE DATE: 2019/03/21 14:45:07		DIMENSION UNITS: INCH SCALE: NTS		MATERIAL NUMBER: 1301460207 CUSTOMER: GENERAL MARKET		DOC TYPE: PSD DOC PART: 000 REVISION: A		SHEET NUMBER: 1 OF 1		SEE TABLE	