

4

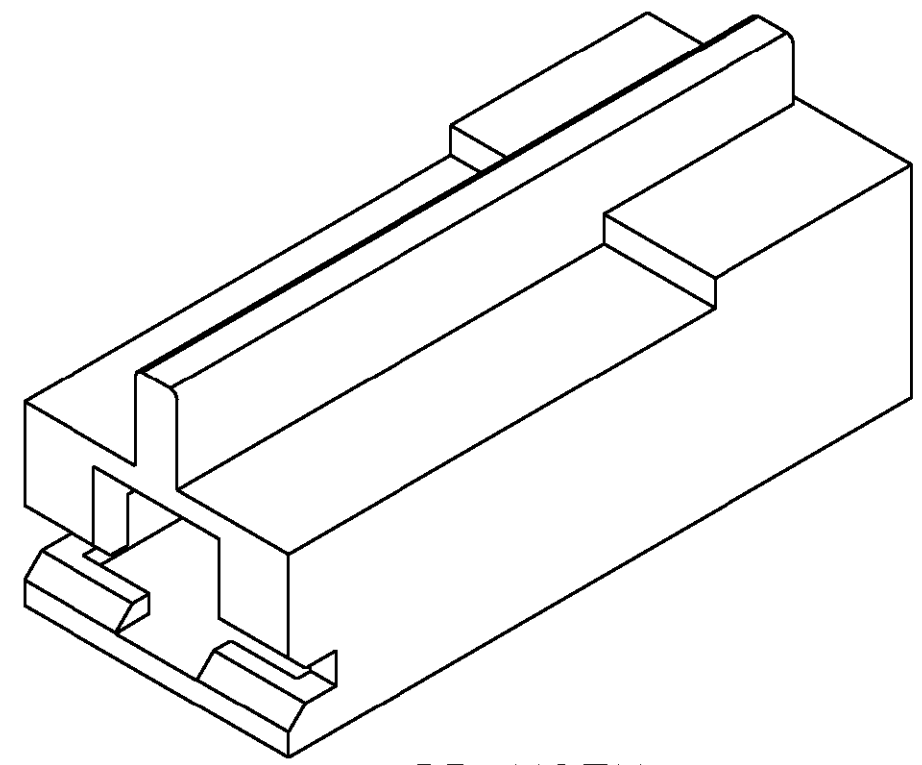
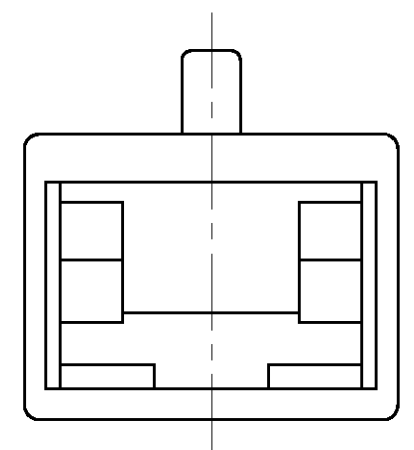
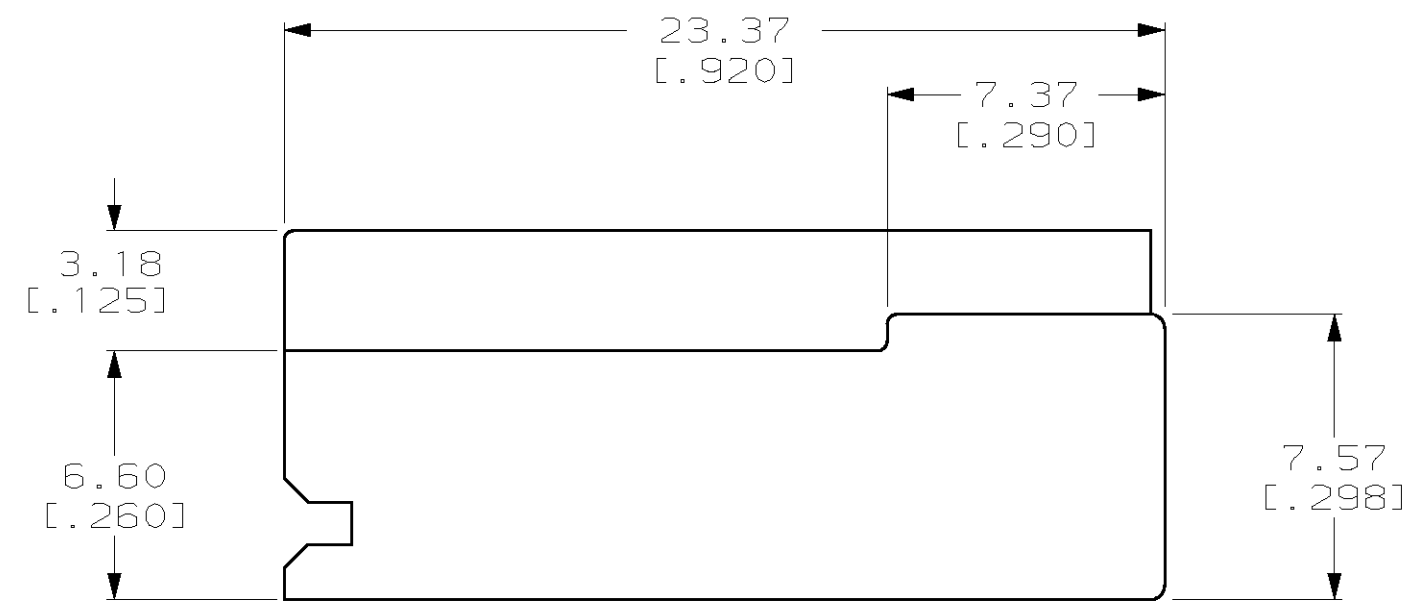
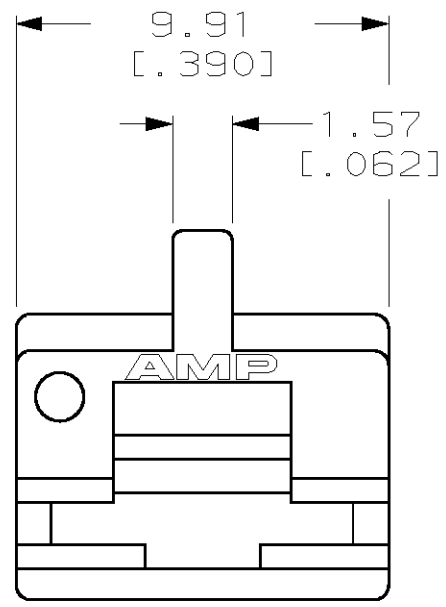
3

2

1

THIS DRAWING IS UNPUBLISHED. RELEASED FOR PUBLICATION, 19 .  
© COPYRIGHT 19 BY AMP INCORPORATED. ALL RIGHTS RESERVED.

LOC	DIST	REVISIONS			
P	LTR	DESCRIPTION	DATE	DWN	APVD
AF	50	A	REL PER 063A-0067-00	07FEB00	JR PD



3D VIEW

521136-1  
PART NO.

THIS DRAWING IS A CONTROLLED DOCUMENT.		DWN JR RUTH 3/27/97	<b>AMP</b> AMP Incorporated Harrisburg, PA 17105-3608
DIMENSIONS: MM [INCHES]		CHK MS FEHER 3/27/97	
TOLERANCES UNLESS OTHERWISE SPECIFIED:		APVD R BEAVER 3/27/97	NAME HOUSING, RECEPTACLE, FASTON, 6.35 [.250] SERIES
0 PLC ±- 1 PLC ±- 2 PLC ±0.25 [.010] 3 PLC ±- 4 PLC ±- ANGLES ±-		PRODUCT SPEC -	SIZE A3
MATERIAL 6/6 NYLON		FINISH NATURAL	CAGE CODE 00779
		APPLIC. SPEC -	DRAWING NO C-521136
		WEIGHT -	RESTRICTED TO
		CUSTOMER DRAWING	SCALE 5:1
			SHEET 1 OF 1
			REV A