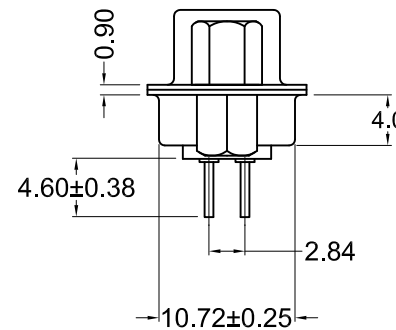


Recommended PCB Layout  
(Top View)



**Material and Finish**

Shell: Steel, Nickel plated  
 Insulator: PBT thermoplastic with glass-fiber reinforcement, UL94V-0 rated  
 Color: Black

Contact Material:  
 Plug - Brass

Contact Plating Options:  
 Standard: gold flash on mating end, tin on termination end, nickel underplate on entire contact  
 15 Option: 15u" gold on mating end, tin on termination end, nickel underplate on entire contact  
 30 Option: 30u" gold on mating end, tin on termination end, nickel underplate on entire contact

**Electrical Specifications**

Rated Current: 2A  
 Rated Voltage: 30V RMS  
 Insulation Resistance: more than 1000 megohms at 500V DC  
 Contact Resistance: 13 milliohms max.  
 Dielectric Withstanding Voltage: 1000V for 1 minute  
 Operating Temperature: -55°C to +105°C

**Ordering Information**

Part Number	Contact Area Plating Finish
K85X-CD-37P-KJ	Gold Flash (standard)
K85X-CD-37P-KJ15	15u" Gold (15 option)
K85X-CD-37P-KJ30	30u" Gold (30 option)



Tolerances
X.X ± 0.25
X.XX ± 0.15
Unless Stated Otherwise

REV.	DATE	DESCRIPTION	REV. BY	CHK. BY	DRAWN BY	DATE
A1	4/10/07	New Drawing	R. Aguirre	H. MA	R. Aguirre	12/19/05
A2	1/9/08	ECO #07-052	WILL H.	H. MA		
A3	08/10/11	ECO #11-053	S. Vien	H. MA		
A4	12/31/17	ECO #17-030	G. Serrato	C. Furumasa		
					UNITS	
					mm	

**K85X-CD-37P-KJ**

Vertical PCB Mount D-Sub, RoHS Compliant  
 37 Pin Female with Jackscrews

