

# SPECIFICATIONS

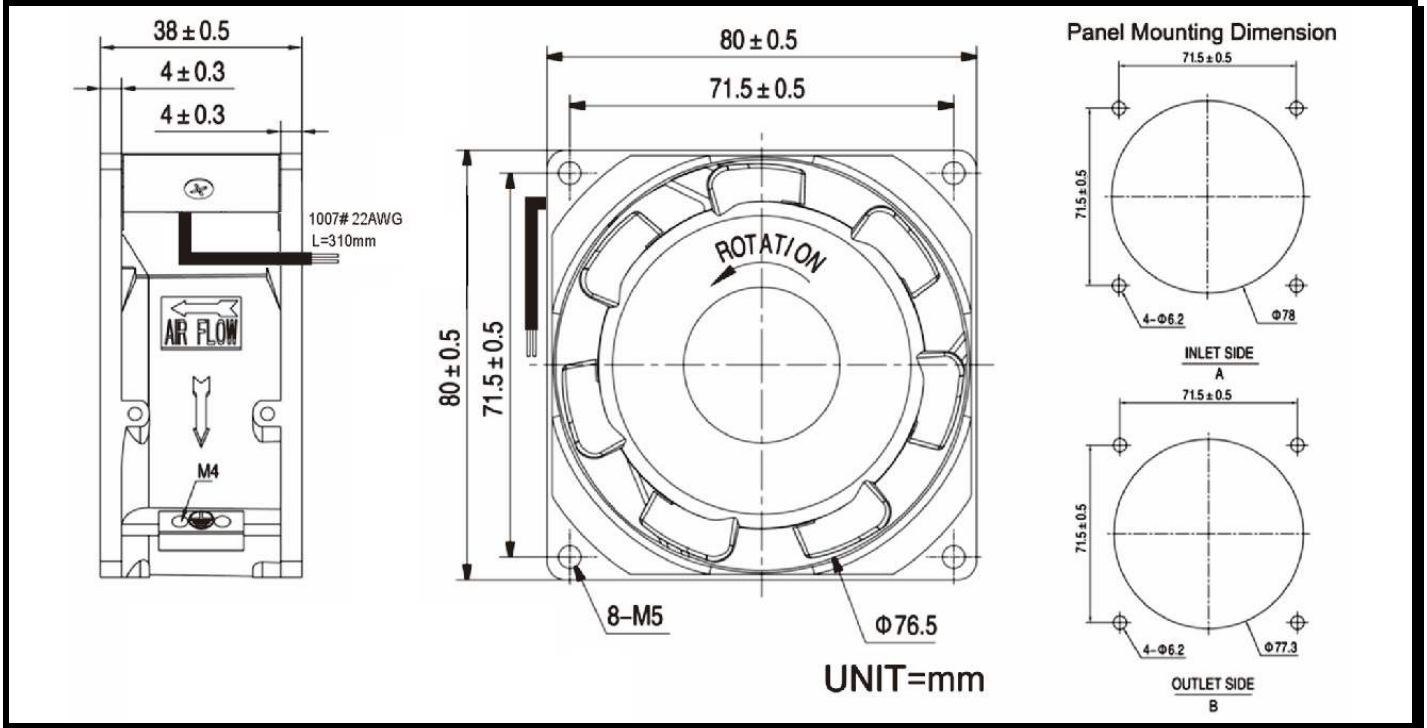
RoHS

Version: 07  
Dec 29, 2017



Model Number: SU3B1  
Part Number: 19028331A

## Mechanical Drawing:



### Motor:

|                         |  |
|-------------------------|--|
| Normal Voltage          | = 220 VAC  |
| Operating Voltage Range | = 198~242VAC   |
| Operating Frequency     | = 50/60Hz  |
| Rated Current           | = 0.07/0.06A   |
| Input Power             | = 15/12Watt  |
| Average Speed           | = 2380/2800RPM   |
| Bearings                | = Ball   |
| Airflow                 | = 24/31CFM<br>(Measuring at zero static pressure)              |
| Static Pressure         | = 0.13/0.17'' H <sub>2</sub> O<br>(Measuring at zero air flow) |
| Noise Level             | = 30/32 dB(A)  |
| Net Weight              | = 250 gram.  |

### Construction:

Venturi: High quality magnesium alloy die-casting frame with ED coating and powder coating, Black.  
Propeller: Magnesium alloy with ED coating, Black

### Life Expectancy:

This fan is designed for continuous duty life of 62,000 hours at 70°C

### Additional Features:

Insulation Resistance: 100M $\Omega$  or more at 500 V megger.  
Dielectric strength: 2 seconds at 1800 VAC/ 50-60 Hz.  
Thermal Shock: Test per MIL-STD-202F, method 107G, condition D.  
Operating Temperature: -10°C to 70°C  
Storage Temperature: -40°C to 85°C

### Termination:

See Mechanical Drawing.  
Lead wire connection suit with 22AWG 1007#  
Wire length= $310 \pm 25.4$  mm

### Agency Approvals:

UL, CUL, CE

PQ Curve:

