

# Type TFLP Automotive Fuse Link Locking Female Terminal



www.optifuse.com

(619) 593-5050

## Specifications:

**Voltage:** 32 VDC

**Amperage:** 45A, 65A, 75A

**Interrupting Rating:** 5,000A @ 32 VDC

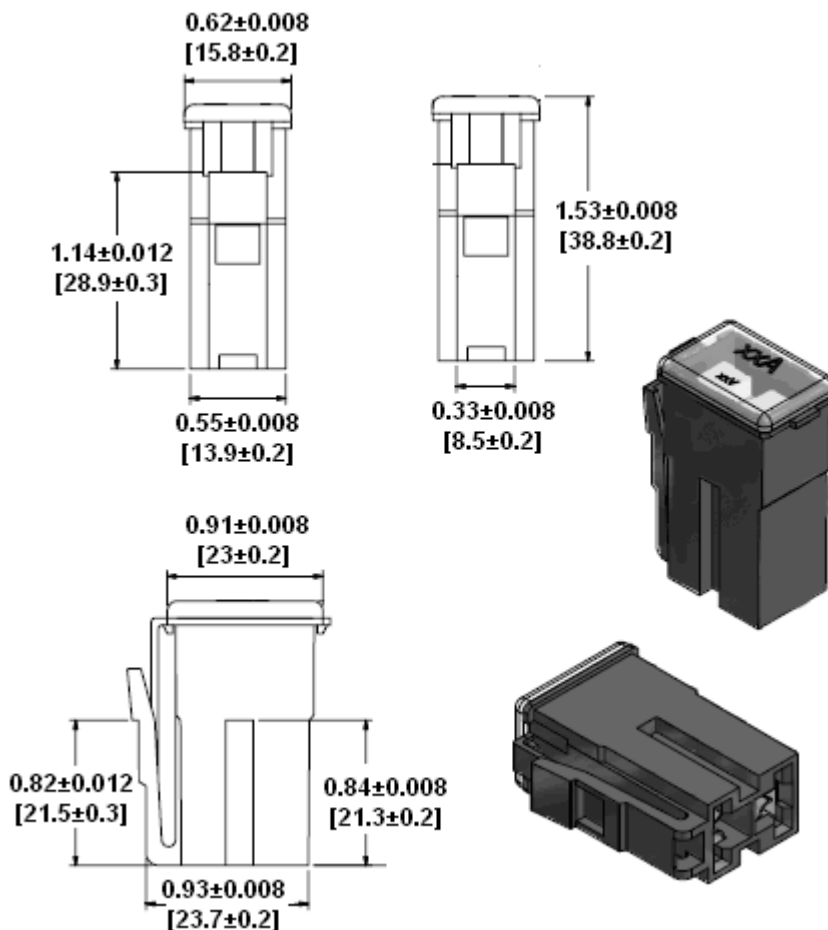
**Material:** Body - Nylon and Glass Fiber  
Cover - PC

## Agency Standards and Listings:

JASO D612-4:2001

Time Characteristics		
% of rated current	Min hold time	Max hold time
110%	4h	
150%	100s	
200%	2s	60s
300%		5s
400%		2s

## Mechanical Dimensions: Inches [mm]



Part Number	Ampere Rating	Housing Color
TFLP-45A	45A	Red
TFLP-65A	65A	Black
TFLP-75A	75A	Gray

## Warning:



-Operation beyond the specified maximum ratings or improper use may result in damage and possible electrical arcing and/or flame.

-Avoid contact of device with chemical solvent. Prolonged contact will damage the device performance.