

4

3

2

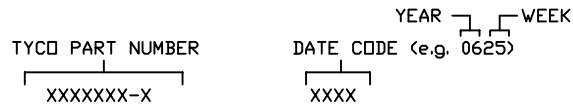
1

This drawing involves proprietary design rights of Tyco Electronics Corporation, and all design, manufacture, reproduction, use and sale rights regarding the same are expressly reserved. It is submitted for a specific purpose and the recipient by accepting this drawing, assumes custody and control and agrees to take reasonable precautions: (a) that this drawing will not be copied and reproduced, in whole or in part, or its contents revealed in any manner, or to any person except to meet the purpose for which it was delivered and (b) that any special features peculiar to this design will not be incorporated in other projects without the expressed written permission of Tyco Electronics Corporation.

REVISIONS

EC	REV	DESCRIPTION	DATE
CPR	A	NEW RELEASE, PREVIOUSLY CUD 499-069	04/01/06

8. REFERENCE ELCDN PART NUMBER 235-0163-01100.
 7. SEE DRAWING C-1648132 FOR MATING PIN CONNECTOR.
 6. ITEMS PROVIDED TO THIS SPECIFICATION TO BE PERMANENTLY IDENTIFIED PER THE FOLLOWING IDENTIFIER:



5. ALL DIMENSIONS SHOWN ACROSS A CENTERLINE (ϕ) SHALL BE CENTRALIZED WITHIN THE TOLERANCE INDICATED FOR THAT DIMENSION.
 4. A REFERENCE DIMENSION (.XXX) IS WITHOUT TOLERANCE AND USED FOR INFORMATION PURPOSE ONLY.

3. RECOMMENDED MOUNTING HARDWARE: TO BE ORDERED SEPARATELY.

- FOR PANEL MOUNTING, USE
 - 1650402-1: SHOULDER SCREW, #8-32
 - 1650106-1: SHOULDER SCREW, #6-32
 - 1650589-1: SHOULDER SCREW, M4X0.7
- FOR PCB MOUNTING, USE COMMERCIALLY AVAILABLE SCREW AND WASHER (IF REQUIRED).

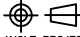


2. MATERIALS:
- HOUSING: THERMOPLASTIC, GLASS REINFORCED, COLOR-BLACK
 UL94V-0 FLAMMABILITY RATED.
- RETENTION CLIP: COPPER ALLOY OR STAINLESS STEEL

1. PART NUMBER CHANGES AND OR DESIGN CHANGES AFFECTING ITEM INTERCHANGEABILITY REQUIRE PRIOR TYCO APPROVAL AND AUTHORIZATION BY REVISION TO THIS DRAWING.

NOTES: UNLESS OTHERWISE SPECIFIED

1648133-1	AS SHOWN
-----------	----------

PART NUMBER	DESCRIPTION
-------------	-------------

INCH OR INCH (MM)  THIRD ANGLE PROJECTION UNLESS OTHERWISE SPECIFIED DIMENSIONS ARE IN INCHES (METRIC) TOLERANCES ANGLES ± .5° DECIMALS .XXX ± .010 (.25) .XX ± .02 (.3)	DRAWN HA NGUYEN	DATE 04/01/06	 Tyco Electronics Corporation Menlo Park, Ca 94025 	
	CHECKED			TITLE CONNECTOR, SOCKET HOUSING SIZE 4X#12, 36X#20 2-36-2 SQUARE DRAWER
	APPROVED			SIZE DWG NUMBER B C = 1648133
	APPROVED STEVE FLICKINGER	04/01/06		REV. A
	DCA APPROVED HA NGUYEN	04/01/06		
	ACAD FILE NUMBER	C1648133A.DWG	DWG SCALE 1=1 SH 1 OF 3	

4

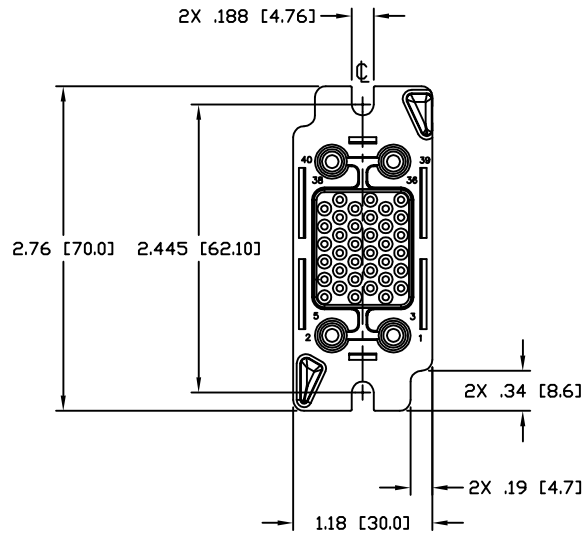
3

2

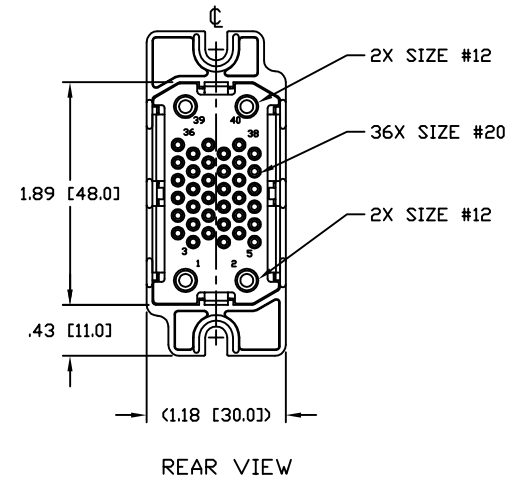
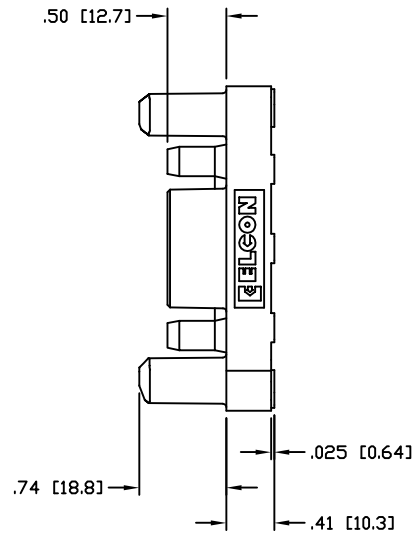
1

This drawing involves proprietary design rights of Tyco Electronics Corporation, and all design, manufacture, reproduction, use and sale rights regarding the same are expressly reserved. It is submitted for a specific purpose and the recipient by accepting this drawing, assumes custody and control and agrees to take reasonable precautions: (a) that this drawing will not be copied and reproduced, in whole or in part, or its contents revealed in any manner, or to any person except to meet the purpose for which it was delivered and (b) that any special features peculiar to this design will not be incorporated in other projects without the expressed written permission of Tyco Electronics Corporation.

REVISIONS			
EC	REV	DESCRIPTION	DATE
		SEE SHEET 1	



FRONT VIEW

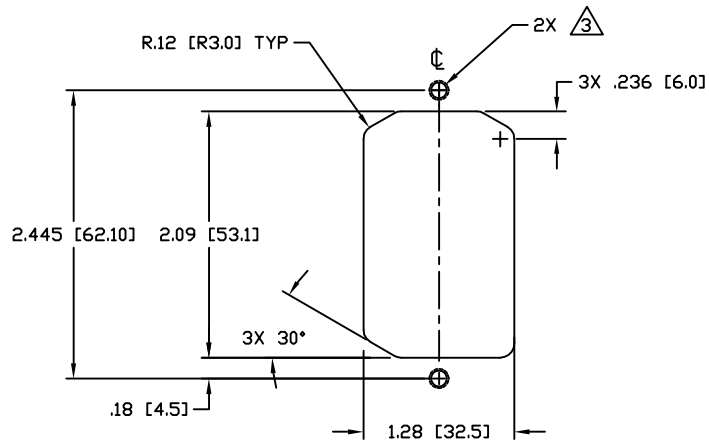


REAR VIEW

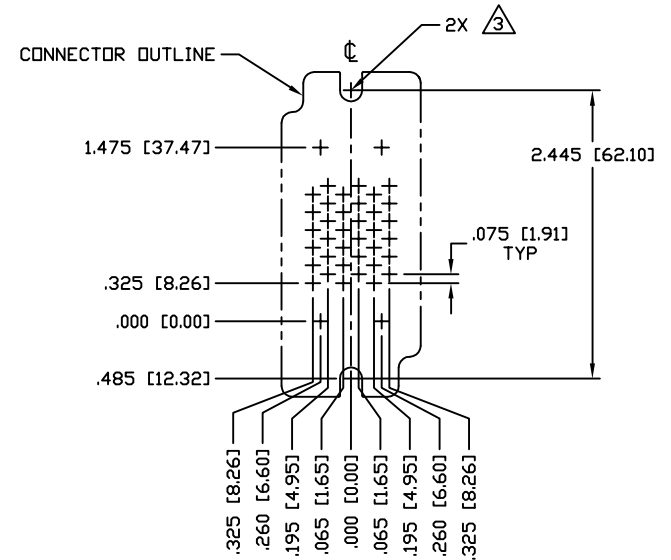
INCH OR INCH (MM) THIRD ANGLE PROJECTION UNLESS OTHERWISE SPECIFIED DIMENSIONS ARE IN INCHES (METRIC) TOLERANCES ANGLES ± .5° DECIMALS .XXX ± .010 (.25) .XX ± .02 (.3)	DRAWN	DATE	Tyco Electronics Corporation Menlo Park, Ca 94025
	HA NGUYEN	04/01/06	
	CHECKED		TITLE
	APPROVED		CONNECTOR, SOCKET HOUSING SIZE 4X#12, 36X#20 2-36-2 SQUARE DRAWER
	APPROVED		SIZE DWG NUMBER
	STEVE FLICKINGER	04/01/06	B C = 1648133
	DCA APPROVED		REV.
	HA NGUYEN	04/01/06	A
	ACAD FILE NUMBER	C1648133A.DWG	DWG SCALE 1=1 SH 2 OF 3

This drawing involves proprietary design rights of Tyco Electronics Corporation, and all design, manufacture, reproduction, use and sale rights regarding the same are expressly reserved. It is submitted for a specific purpose and the recipient by accepting this drawing, assumes custody and control and agrees to take reasonable precautions: (a) that this drawing will not be copied and reproduced, in whole or in part, or its contents revealed in any manner, or to any person except to meet the purpose for which it was delivered and (b) that any special features peculiar to this design will not be incorporated in other projects without the expressed written permission of Tyco Electronics Corporation.

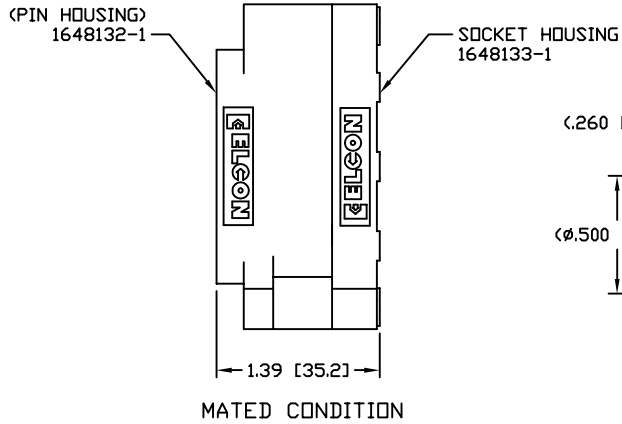
REVISIONS			
EC	REV	DESCRIPTION	DATE
		SEE SHEET 1	



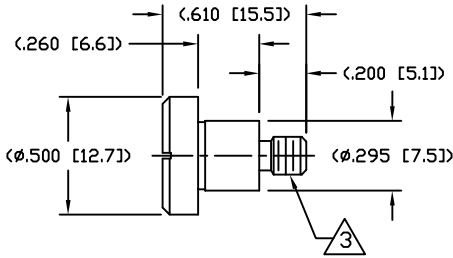
RECOMMENDED PANEL CUTOUT
AS VIEWED FROM CONNECTOR MOUNTING SIDE
(FRONT VIEW)



RECOMMENDED CONTACT LAYOUT
AS VIEWED FROM CONNECTOR MOUNTING SIDE
(FRONT VIEW)



MATED CONDITION



SHOULDER SCREW
SCALE 2:1
SHOWN FOR REFERENCE ONLY

INCH OR INCH (MM) THIRD ANGLE PROJECTION UNLESS OTHERWISE SPECIFIED DIMENSIONS ARE IN INCHES (METRIC) TOLERANCES ANGLES ± .5° DECIMALS .XXX ± .010 (.25) .XX ± .02 (.5)	DRAWN HA NGUYEN	DATE 04/01/06	Tyco Electronics Corporation Menlo Park, Ca 94025 	
	CHECKED			TITLE USER INFORMATION RECOMMENDED PANEL CUTOUT CONTACT LAYOUT & MATED CONDITION
	APPROVED		APPROVED STEVE FLICKINGER DCA APPROVED HA NGUYEN	SIZE DWG NUMBER B C = 1648133
	ACAD FILE NUMBER C1648133A.DWG	DATE 04/01/06	REV. A	DWG SCALE 1=1 SH 3 OF 3