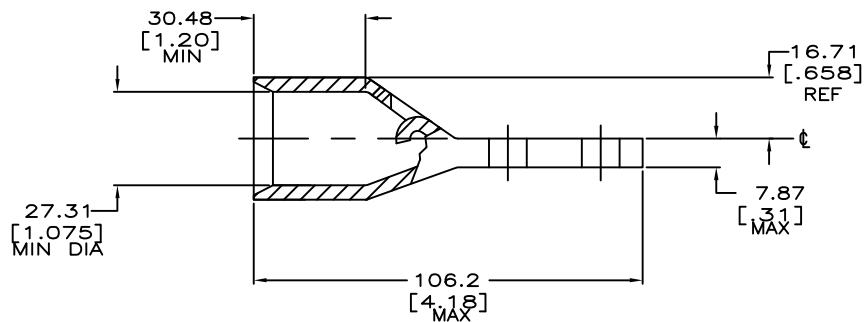
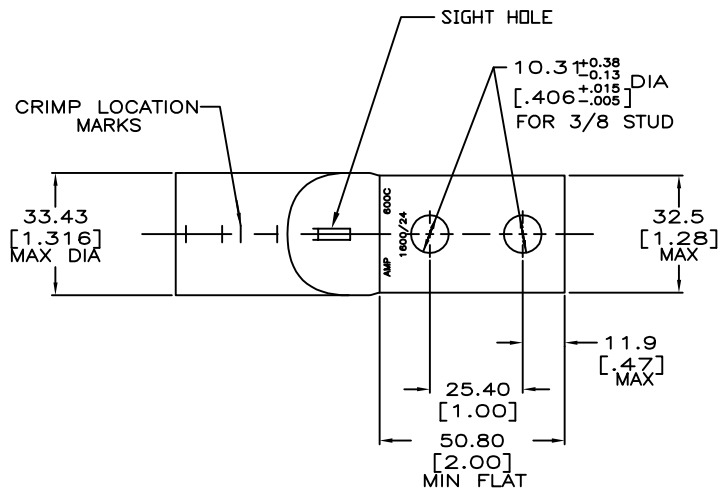


THIS DRAWING IS UNPUBLISHED. RELEASED FOR PUBLICATION
 © COPYRIGHT - By - ALL RIGHTS RESERVED.

| LOC | | DIST | | REVISIONS | | | | |
|-----|----|-------------|-----------------------|-----------|------|----|-----|--|
| P | LR | DESCRIPTION | | | DATE | DM | APD | |
| G | 86 | F | REV PER ECR-13-007004 | 25APR2013 | PK | HK | | |



- ① TIN PL 0.00381[.000150] MIN THK PER MIL-T-10727
- 2 CIRCULAR MIL RANGE: 550-650 MCM
- ③ COPPER PER ASTM B-75, ANNEALED

| | | |
|------------|--------|----------|
| REQUIRED | ① | 276918-3 |
| NONE | ① | 276918-1 |
| SIGHT HOLE | FINISH | PART NO. |

| | | | | | |
|--|--|--|--|---|--|
| THIS DRAWING IS A CONTROLLED DOCUMENT. | | DWG DK SCHRUM 10/15/91 | | | |
| | | CHK AJ KAUFMAN 10/16/91 | | | |
| DIMENSIONS: MM [INCHES] | | TOLERANCES UNLESS OTHERWISE SPECIFIED: | | APD WJ VOCKROTH 10/16/91 | |
| | | 0 PLC ± - 1 PLC ± - 2 PLC ± 0.51[.020] 3 PLC ± - 4 PLC ± - | | NAME | |
| MATERIAL | | FINISH | | PRODUCT SPEC APPLICATION SPEC SIZE CAGE CODE DRAWING NO WEIGHT CUSTOMER DRAWING | |
| - ③ | | SEE TABLE | | A2 00779 C=276918 RESTRICTED TO SCALE 1:1 SHEET 1 of 1 REV F | |