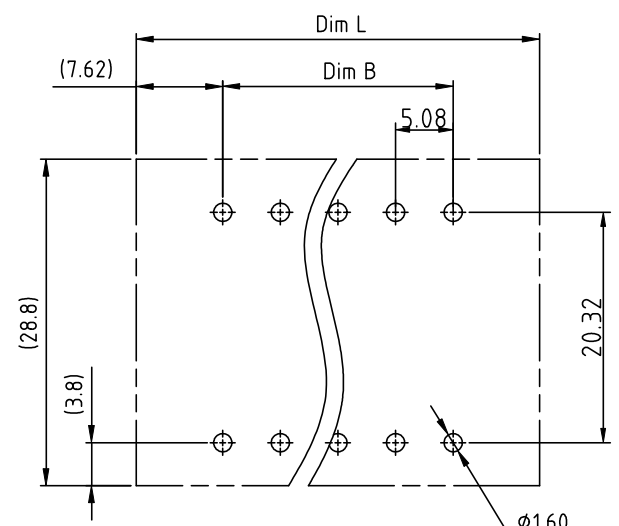
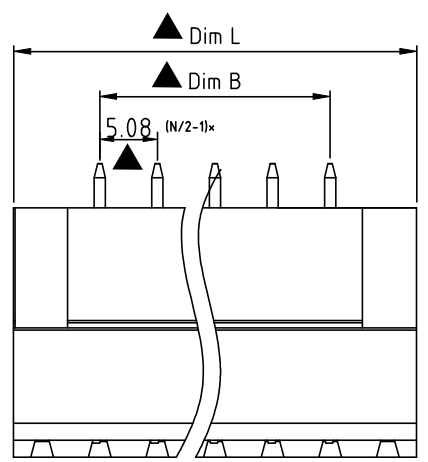


Rev	SIGN	DATE	DESCRIPTION	APPROVER
D	△	1/29'07	Soldering temperature changed from 245° to 250°	Tony
E	△	8/01'08	Operating temperature changed	Marvin
F	△	8/01'08	Body with flange is changed	Marvin
G	△	09/14`09	The design is changed from the round hole to hexagonal hole.	Jacke
G	△	09/20`09	The design is changed	Chen Bo
H	△	04/21`12	The Dimension C & D & E & F are added	Chen Bo
H	△	04/21`12	Flange nut is changed	Chen Bo
I	△	11/19`13	Update the drawing	Chen Bo
J	△	2017.5.19	change the dimensional tolerance	CHENMING

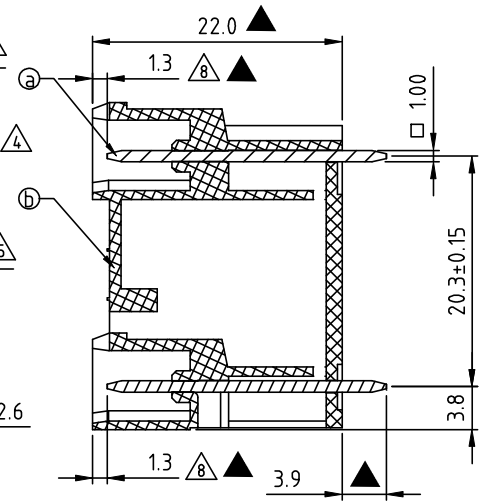
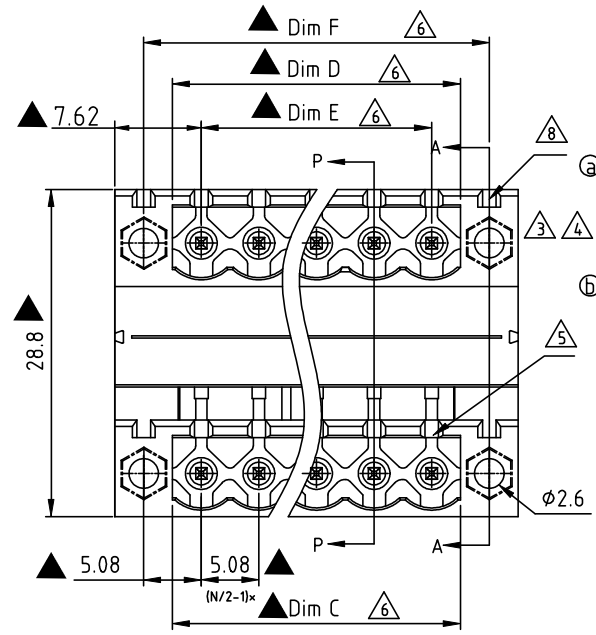
THIS IS CAD DRAWING, DO NOT REVISE MANUALLY!!!

Material:

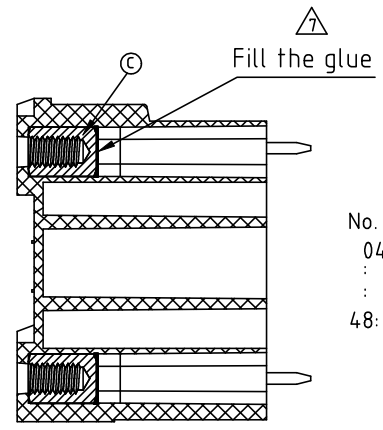
- Item ① Male contact pin: Copper Tin plated
  - Item ② Terminal (housing): Thermoplastic (UL94V-0)
  - Item ③ With flange nut: Brass ,M2.5
- Electrical: cULus
- Voltage rating: 300V
  - Current rating: 20A
  - Withstanding Voltage: 16 KV
  - Operating temperature: -40°C to +115°C
  - Soldering temperature: 260°C±5°C/5 Sec
  - Safety Approval: cULus
  - Critical dimension: ▲



RECOMMENDED PCB LAYOUT



SECTION P-P



SECTION A-A

VL xx 5 2 x 0 xxxx G

No. OF POLES  
04: 2x2 POLES  
48: 2x24 POLES

- G: RoHS compliant (lead<4%) In copper Alloy
  - 0000: "@" Logo
  - 000A: "ANYTEK" Mark
  - Any special item by customer request. please contact sales department.
- 0 Black (RAL9005)
  - 2 Red (RAL3001/D)
  - 3 Orange(RAL2011/P)
  - 4 Yellow(RAL1018/A)
  - 5 Green(RAL6018/T)
  - 6 Blue (RAL5015/A)
  - 8 Grey(RAL7035/D)
  - 9 White(RAL1102)
  - C Green(RAL6018/U)

N = Number of poles  
 Dim L=(N/2+2)×5.08  
 Dim B=(N/2-1)×5.08  
 Dim C=N/2×5.08+0.4  
 Dim D=N/2×5.08+0.4  
 Dim E=(N/2-1)×5.08  
 Dim F=(N/2+1)×5.08

Poles	Dim L	Dim B	Dim C	Dim D	Dim E	Dim F
2x2-2x6p	±0.15	±0.15	+0.15 -0.00	+0.15 -0.00	±0.15	±0.15
2x7-2x12p	±0.25	±0.25	+0.25 -0.00	+0.25 -0.00	±0.25	±0.25
2x13-2x18p	±0.35	±0.35	+0.30 -0.00	+0.30 -0.00	±0.35	±0.35
2x19-2x24p	±0.40	±0.40	+0.40 -0.00	+0.40 -0.00	±0.40	±0.40

**Amphenol ANYTEK**

**CUSTOMER COPY**

ALL RIGHTS RESERVED. REPRODUCTION OR ISSUE TO THIRD PARTIES IN ANY FORM WHATSOEVER IS NOT PERMITTED WITHOUT WRITTEN AUTHORITY FROM THE PROPRIETOR. PROPERTY OF ANYTEK TECHNOLOGY CO., LTD

TITLE		VL-5.08mm Series Vertical With Flange				
PART NO.		VLxx52x0xxxxG		DWG NO.		8VL0304
APPROVED	CHECKED	DESIGNED	DRAWN	CUST NO.		Tolerance
		CHENMING	Chen Bo			X. ±0.50
		2017.5.19	11/19`13			X.X ±0.30
				SHEET: 01/01		X.XX ±0.10
				REV.: J		X° ±1°