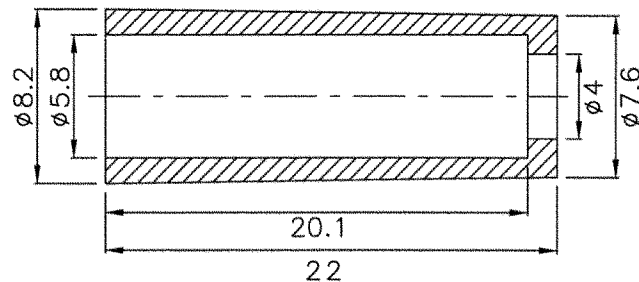
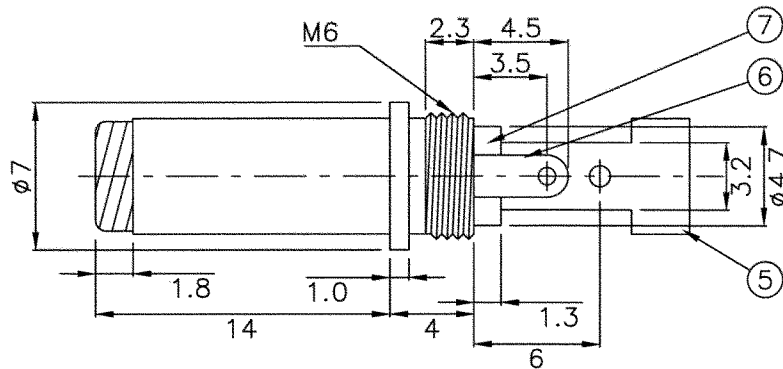


No	DESCRIPTION	MATERIAL	FINISH
1.	HOUSING	BAKELITE	BLACK
2.	INSULATOR RING	POM	BLACK
3.	INNER BARREL	BRASS	NICKEL PLATED
4.	OUTER SLEEVE	BRASS	NICKEL PLATED
5.	GROUND TERMINAL	BRASS 0.3T	NICKEL PLATED
6.	TERMINAL	BRASS 0.2T	NICKEL PLATED
7.	INSULATOR	POM	RED COLOR

TOLERANCE:  $\pm 0.3\text{MM}$  UNLESS OTHERWISE SPECIFIED



PC FILE NAME:  
PP\_002A.DWG

COPYRIGHT 1997 BY CUI INC.



9615 SW Allen, Suite 103  
Beaverton, OR 97005  
Phone: (503) 643-4899  
800-275-4899  
Fax: (503) 643-6129  
Website: www.cui.com

TITLE: <b>DC PLUG</b>		
PART NO. PP-002A	UNITS: MM [INCHES]	
DRAWN BY: Todd R. White	APPROVED BY:	SCALE: 3X