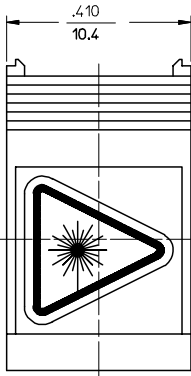
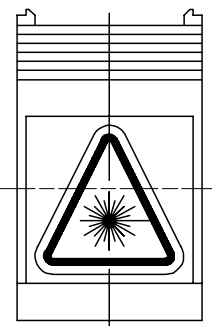


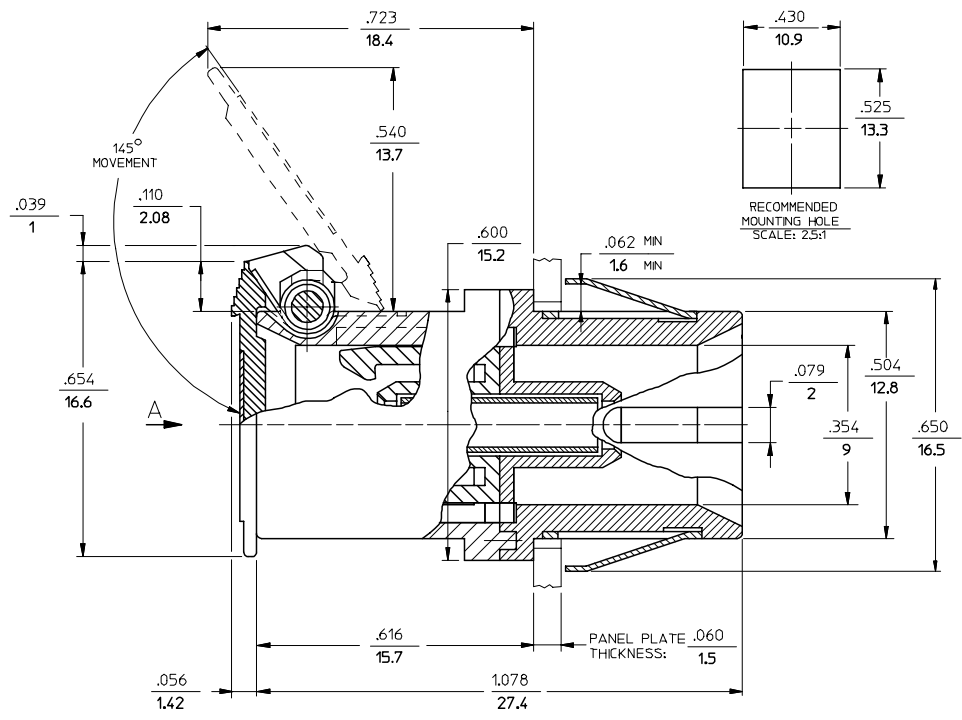
ADAPTER P/N	SPLIT SLEEVE MATERIAL	COLOR OF ADAPTER	DUST CAP COLOR
106170-2400	ZR	BLACK	GRAY
106170-2420		GREEN	
106170-2430		RED	
106171-2400	PHOSPHOR BRONZE	BLACK	GRAY
106171-2420		GREEN	
106171-2430		RED	
106194-1440		BLACK	YELLOW



VIEW A  
VERSION 1



VIEW A  
VERSION 2



- NOTES:
1. ALL DIMENSIONS ARE GIVEN IN  $\frac{\text{INCHES}}{\text{mm}}$
  2. LABEL MUST BE INSTALLED AND ORIENTED BY CUSTOMER. (SEE VIEW A)
  3. DUST CAP NOT SHOWN.

ENTER DESCRIPTION EC NO: MF2007-0207 DRAWN/REV: ZNER 2006/09/22 CHKD: 2006/09/22 APPR: JGUMIN 2006/09/22 REV: A1	QUALITY SYMBOLS =0 =0	GENERAL TOLERANCES (UNLESS SPECIFIED)		DIMENSION STYLE IN/MM	SCALE 4:1	DESIGN UNITS INCH	THIRD ANGLE PROJECTION
		4 PLACES ± --- ± --- 3 PLACES ± --- ± --- 2 PLACES ± --- ± --- 1 PLACE ± --- ± --- ANGULAR ±1/2°	DRAWN BY DATE	TITLE <b>BSC- 2 ADAPTER WITH SHUTTER</b>	MOLEX INCORPORATED	SHEET NO. 1 OF 1	
DRAFT WHERE APPLICABLE MUST REMAIN WITHIN DIMENSIONS		SEE TABLE		MATERIAL NO. DOCUMENT NO. <b>SD-10617Y-24Y0</b>	THIS DRAWING CONTAINS INFORMATION THAT IS PROPRIETARY TO MOLEX INCORPORATED AND SHOULD NOT BE USED WITHOUT WRITTEN PERMISSION		