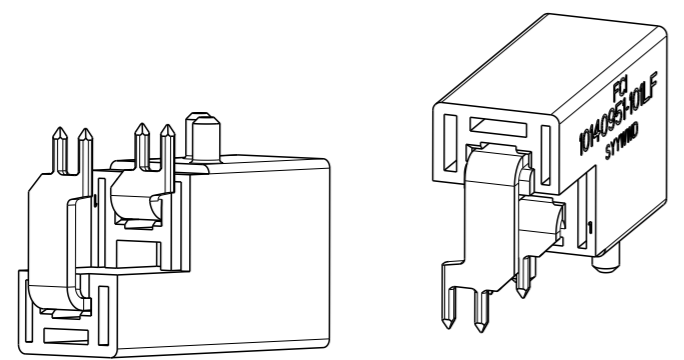
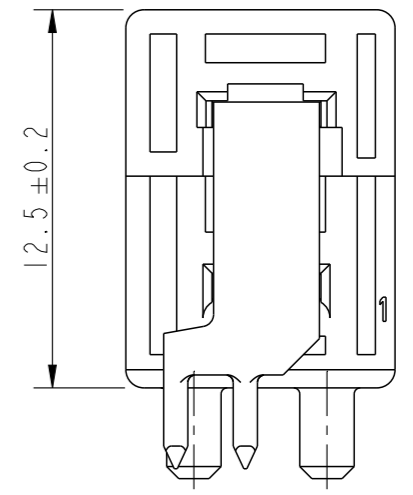
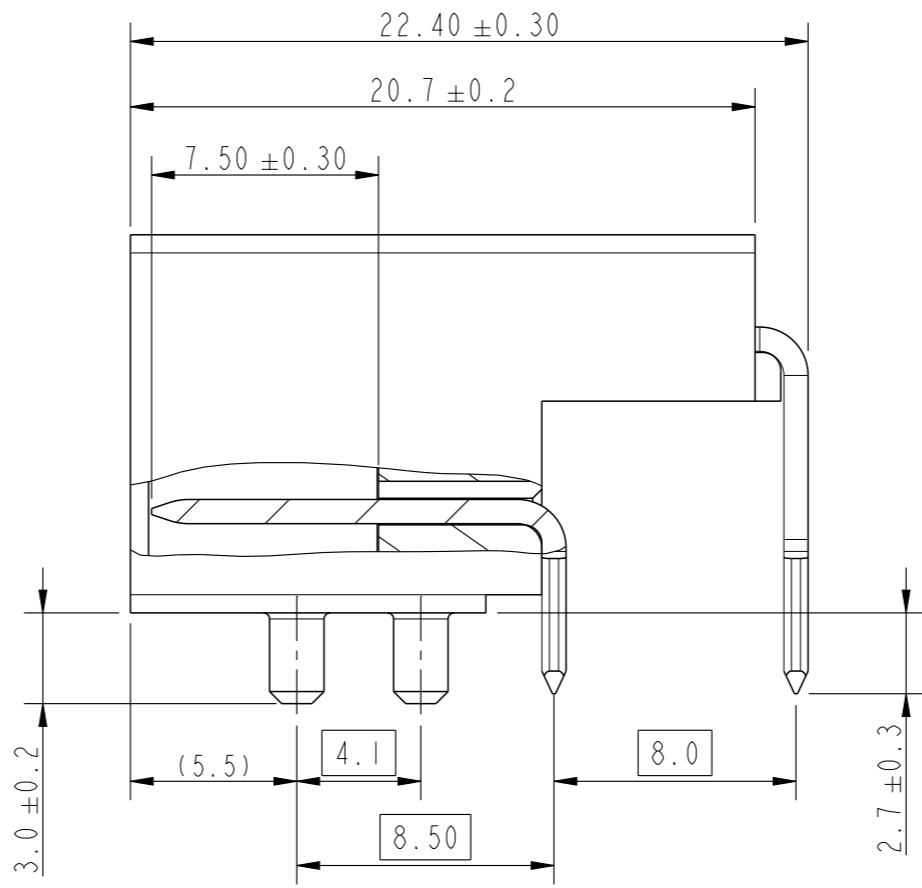
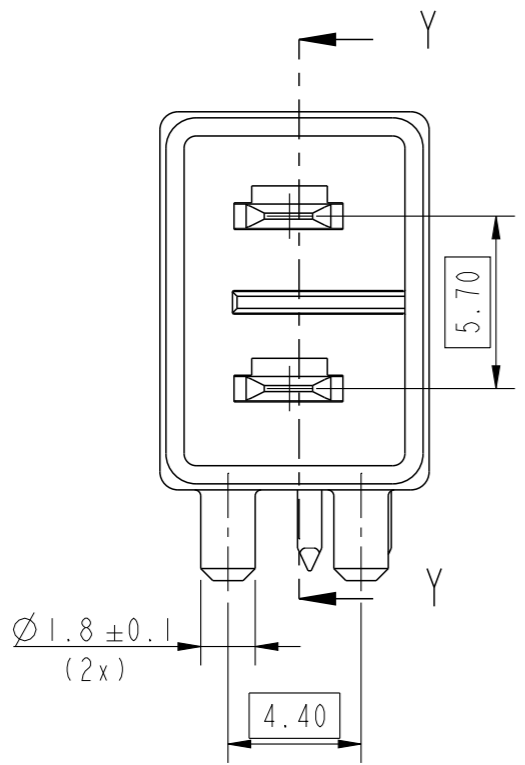
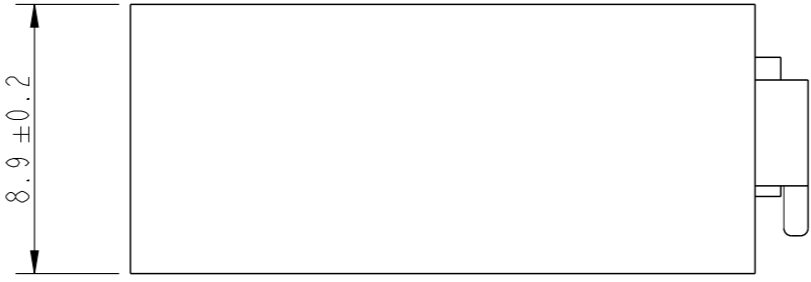
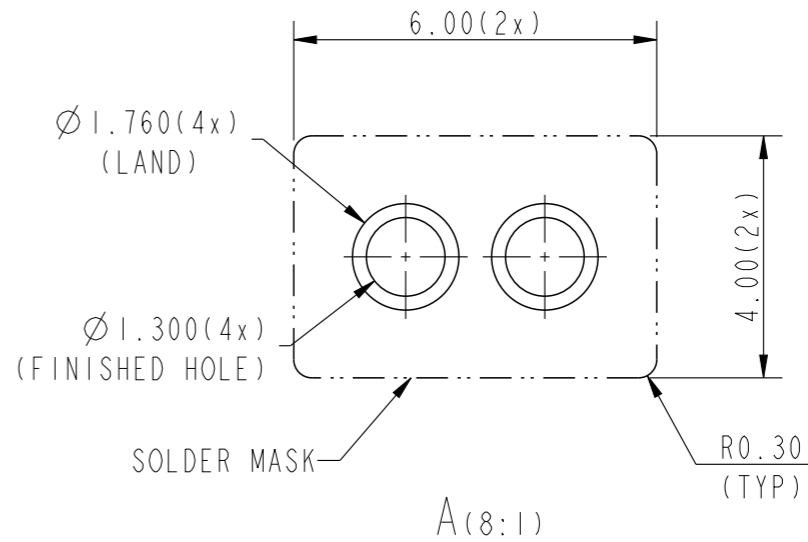
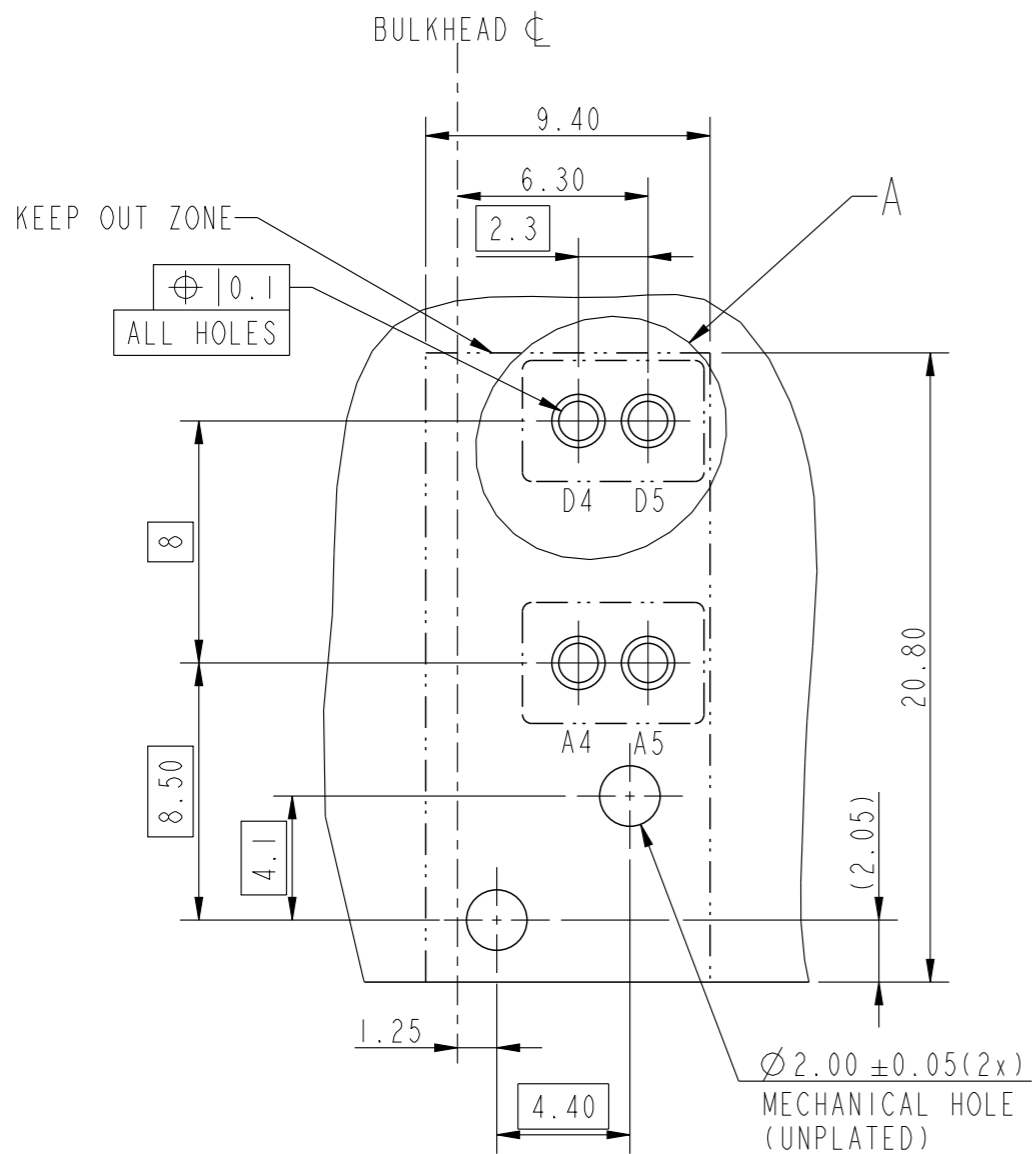


PRODUCT NUMBER
10140951-101LF



spec ref	-	dr	Jibin John	2017/09/26	projection	mm	size	A3	scale	2:1
tolerance std	ISO 406 ISO 1101	eng	Stalin Alosius	2017/10/16			ecn no	-	rel level	Released
TOLERANCES UNLESS OTHERWISE SPECIFIED		chr	-	-						
surface	linear	0.X	±0.3	Amphenol FCI VERIO 2 POS POWER RA BOARD CONNECTOR WITH PIP TERMINATION cat. no. -	product family VERIO	dwg no 10140951	rev A	-		
		0.XX	±0.10					Product - Customer Drw		
	angular	0°	±2°					sheet 1 of 4		

VIEW FROM COMPONENT SIDE



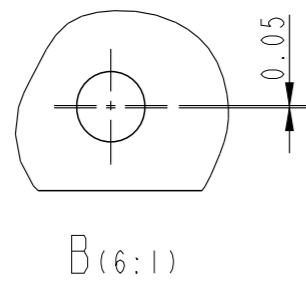
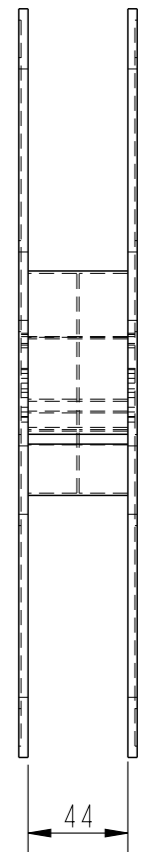
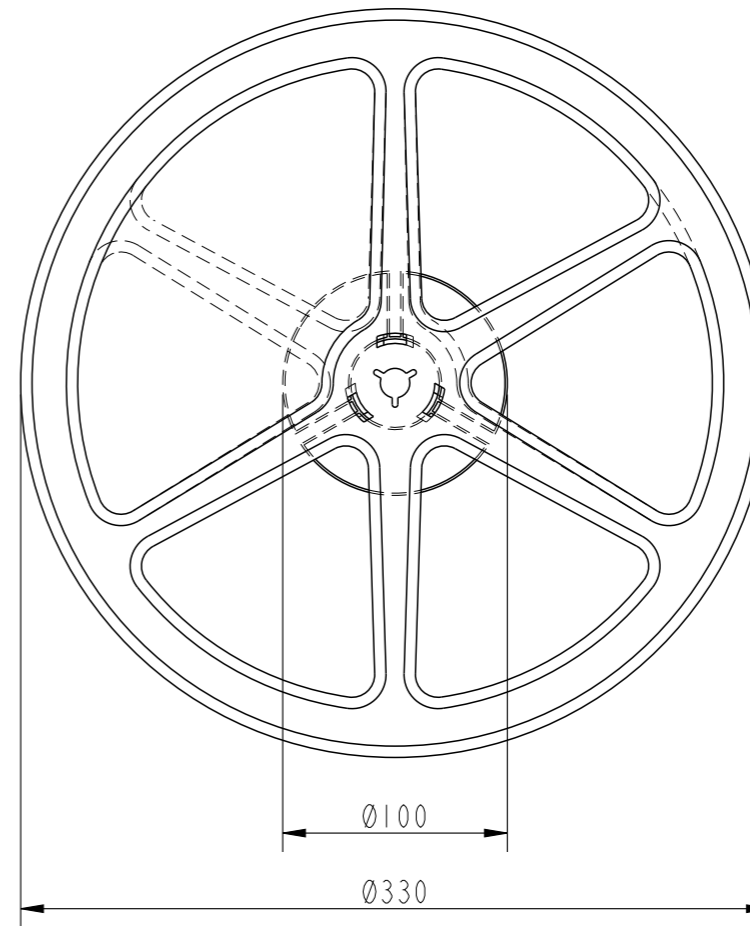
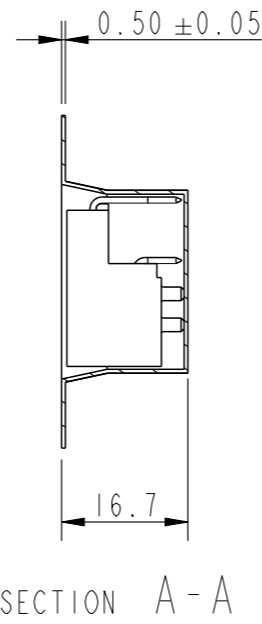
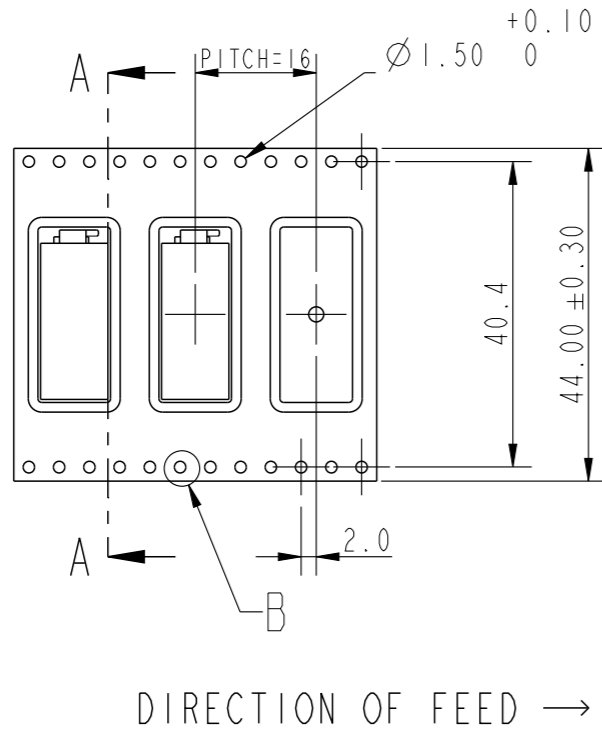
NOTES:

- MATERIAL :
- RESIN - LCP, GLASS FILLED, FLAME RETARDANT ACC
FLAMMABILITY CLASSIFICATION - UL94-V0
- POWER CONTACTS - COPPER ALLOY
- PLATING :
- PURE TIN ON POWER CONTACTS
- PRODUCT SPECIFICATION: GS-12-1428
- APPLICATION SPECIFICATION: GS-20-XXXX
- PACKAGING - TAPE & REEL
- UNDER PLATING FOR CONTACTS IS 1.27µm NICKEL.
- PRODUCT WILL WITHSTAND EXPOSURE TO 260° FOR 60 SECONDS IN A CONVECTION, INFRA RED OR VAPOUR PHASE REFLOW OVEN
- PRODUCT WHERE THE PARTNUMBER ENDS IN LF MEETS EUROPEAN DIRECTIVES AND OTHER COUNTRY REGULATIONS AS DESCRIBED IN GS-47-0004.

	POWER PTH DETAILS
DRILLED HOLE	1.37-1.42mm
COPPER PLATING	25-50µm
TIN PLATING	0.8-1.2µm
FINISHED HOLE DIA	1.25-1.35mm

spec ref	-	dr	Jibin John	2017/09/26	projection	mm	size	A3	scale	1:1
tolerance std	ISO 406 ISO 1101	eng	Stalin Alosius	2017/10/16			ecn no	-	rel level	Released
TOLERANCES UNLESS OTHERWISE SPECIFIED		chr	-	-			product family			
surface	linear	0.X	±0.3		VERIO 2 POS POWER RA BOARD CONNECTOR		dwg no	10140951	rev	A
		0.XX	±0.10		WITH PIP TERMINATION					
	angular	0°	±2°		cat. no.	-	Product - Customer Drw	sheet 2 of 4		

PACKAGING SPECIFICATION

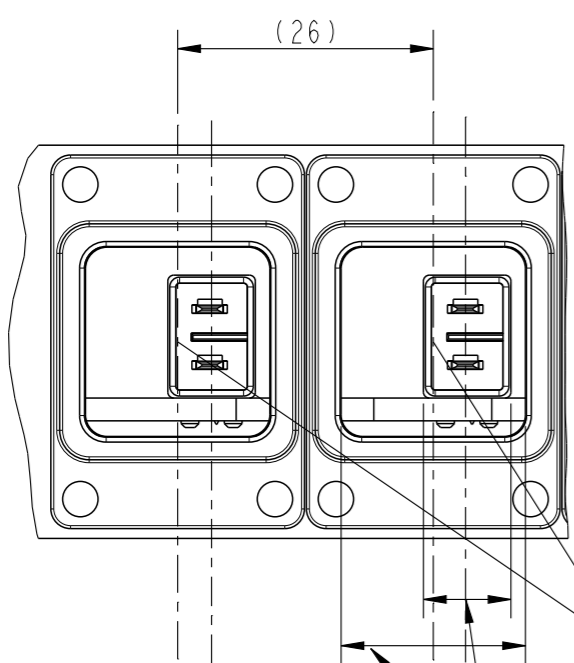
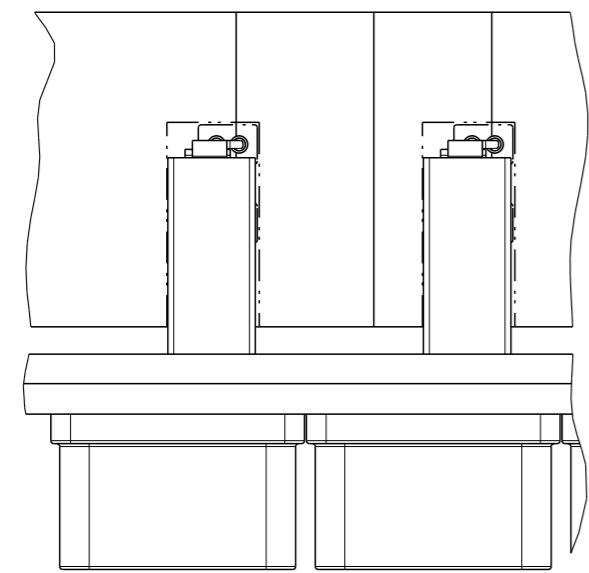


TAPE & REEL PACKING DETAILS

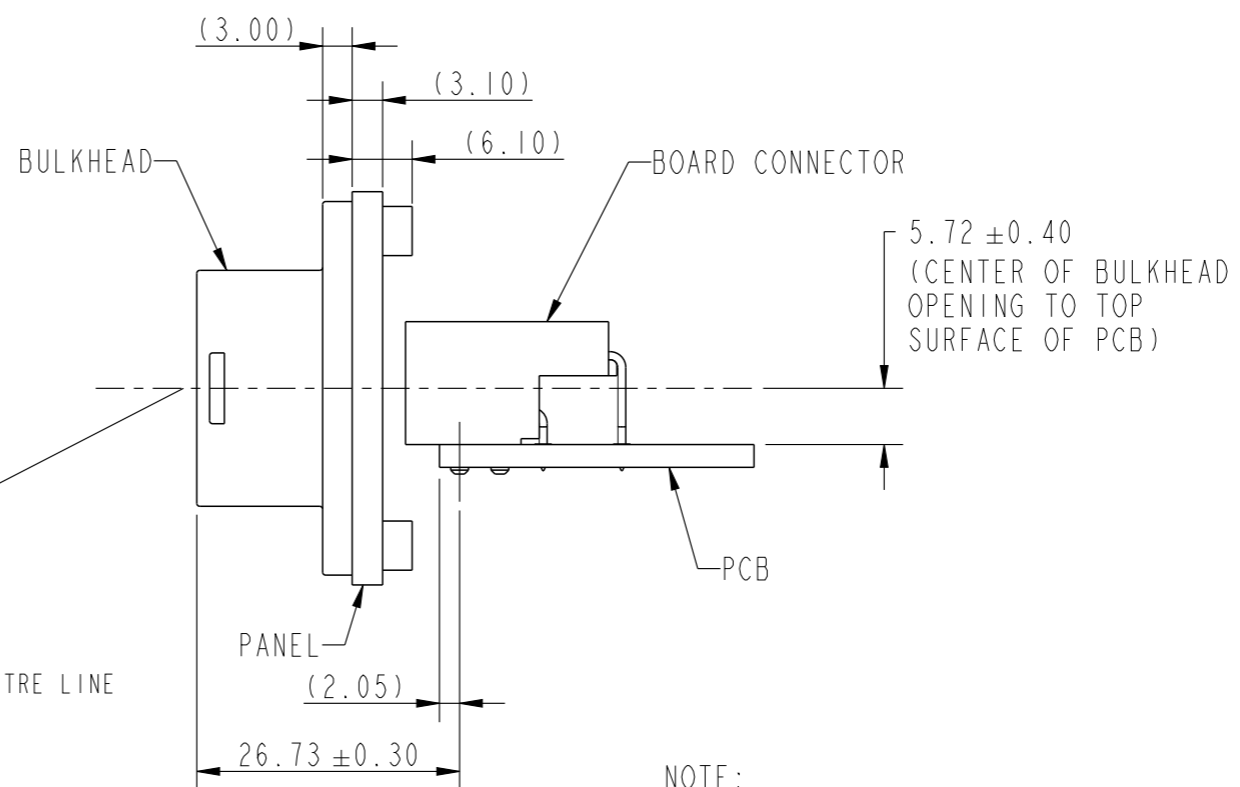
NOTES:

1. PACKAGING DETAILS AS PER EIA-481 STD.
2. MATERIAL : (ANTISTATIC)
CARRIER TAPE : POLYSTYRENE
COVER TAPE : POLYSTYRENE

spec ref	-	dr	Jibin John	2017/09/26	projection	mm	size	A3	scale	3:10
tolerance std	ISO 406 ISO 1101	eng	Stalin Alosius	2017/10/16			ecn no	-	rel level	Released
TOLERANCES UNLESS OTHERWISE SPECIFIED		chr	-	-			product family			
surface	linear	0.X	±0.3	Amphenol FCI	VERIO 2 POS POWER RA BOARD CONNECTOR WITH PIP TERMINATION		dwg no	10140951	rev	A
		0.XX	±0.10				cat. no.	Product - Customer Drw	sheet 3 of 4	
ISO 1302	angular	0°	±2°							



±0.60
CENTERING OF THE BOARD
CONNECTOR WITH BULKHEAD
CAVITY



NOTE:
1. REFER DRAWING 10140956 FOR BULKHEAD DETAILS

BOARD CONNECTOR
WITH BULKHEAD

spec ref	-	dr	Jibin John	2017/09/26	projection	mm	size	A3	scale	1:2	
tolerance std	ISO 406 ISO 1101	eng	Stalin Alosius	2017/10/16			ecn no	-	rel level		Released
TOLERANCES UNLESS OTHERWISE SPECIFIED		chr	-	-			product family	VERIO			
surface	linear	0.X	±0.3	Amphenol FCi	VERIO 2 POS POWER RA BOARD CONNECTOR		dwg no 10140951	rev		A	
		0.XX	±0.10		WITH PIP TERMINATION						
	angular	0°	±2°		cat. no.	Product - Customer Drw		sheet 4 of 4			