

4

3

2

1

THIS DRAWING IS UNPUBLISHED. RELEASED FOR PUBLICATION
 © COPYRIGHT - By - ALL RIGHTS RESERVED.

LOC	DIST	REVISIONS					
		P	LTR	DESCRIPTION	DATE	DWN	APVD
H	-		A	INITIAL RELEASE	16JAN2014	GSK	BvH
			A1	ECR-14-016285	31OCT2014	GSK	BvH

D

D

C

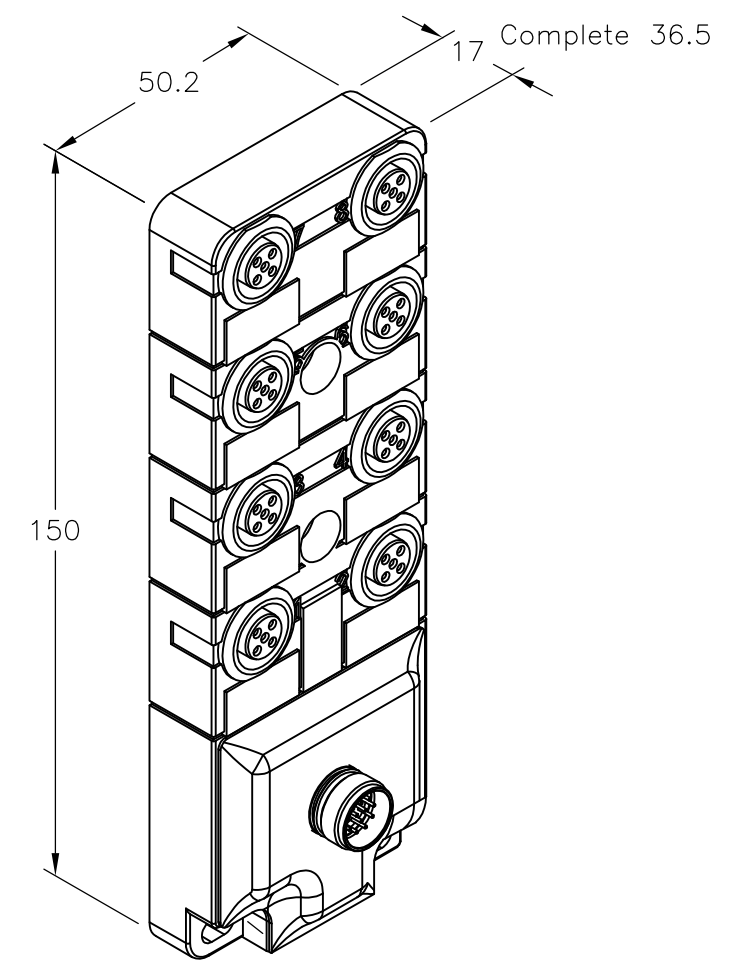
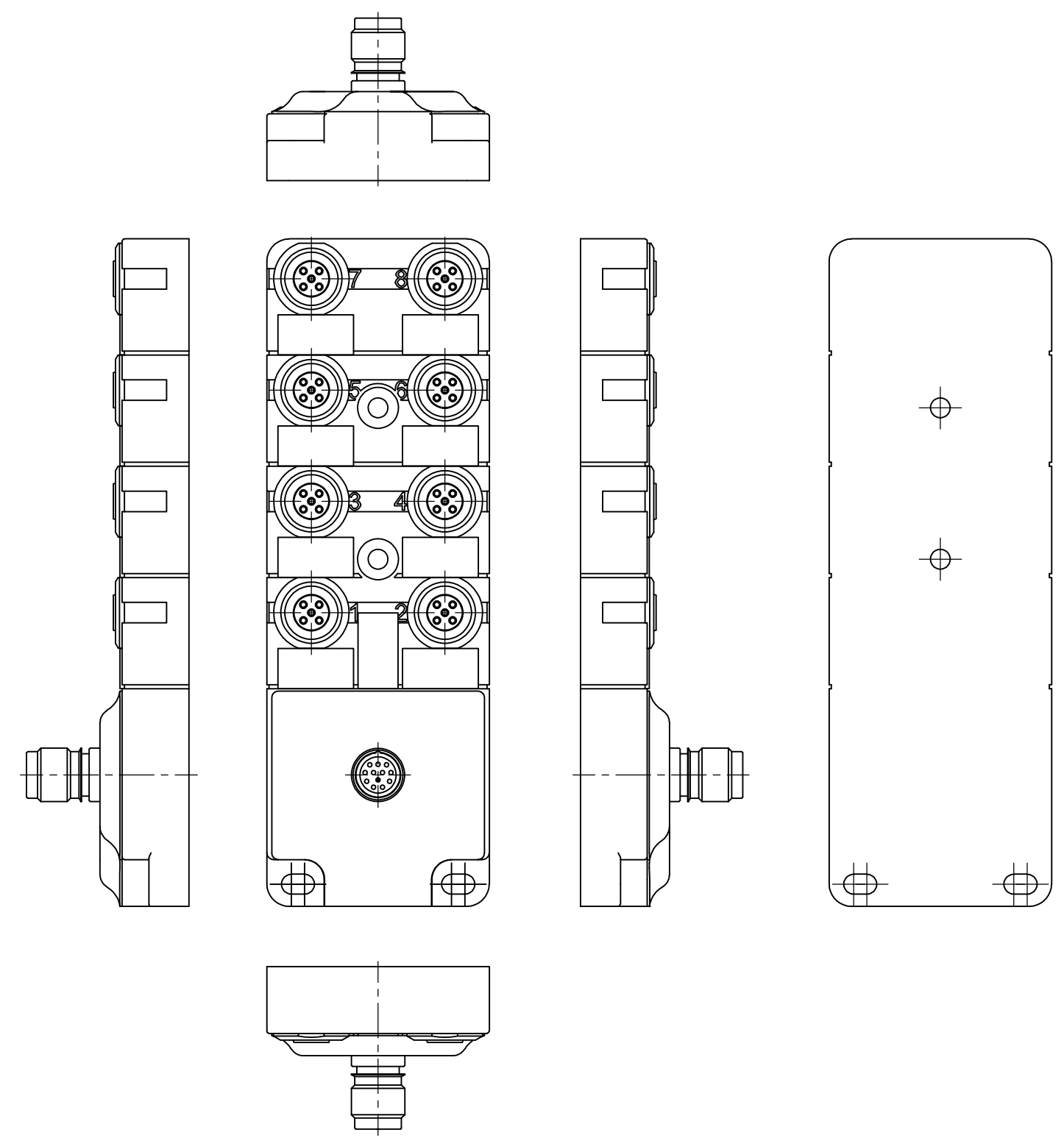
C

B

B

A

A



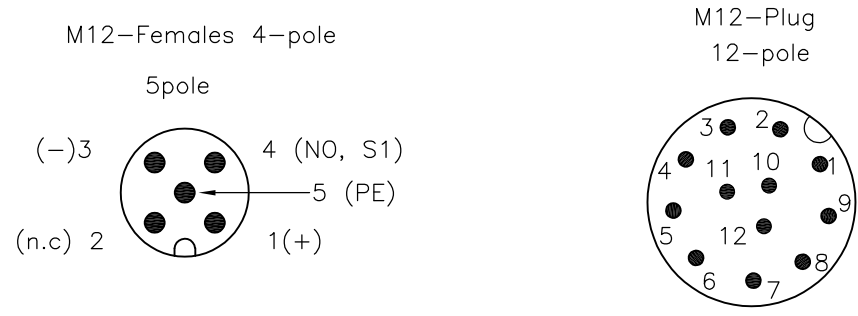
Without Homerun Cable	2273161-1
DESCRIPTION	TE PN

THIS DRAWING IS A CONTROLLED DOCUMENT.		DWN	16JAN2014	STE TE Connectivity		
		CHK	16JAN2014			
		SATHISH KUMAR .G		NAME DISTR BOX M12 4-5POS 8WAY M12/12P PNP		
		B.VELDHOVEN				
		A.VAN ZANDVOORT		SIZE		
		A.VAN ZANDVOORT				
		A.VAN ZANDVOORT		CAGE CODE		
		A.VAN ZANDVOORT				
		A.VAN ZANDVOORT		DRAWING NO		
		A.VAN ZANDVOORT				
		A.VAN ZANDVOORT		RESTRICTED TO		
		A.VAN ZANDVOORT				
		A.VAN ZANDVOORT		SCALE		
		A.VAN ZANDVOORT				
		A.VAN ZANDVOORT		SHEET		
		A.VAN ZANDVOORT				
		A.VAN ZANDVOORT		1 OF 2		
		A.VAN ZANDVOORT				
		A.VAN ZANDVOORT		REV		
		A.VAN ZANDVOORT				
		A.VAN ZANDVOORT		A1		
		A.VAN ZANDVOORT				
		A.VAN ZANDVOORT		CUSTOMER DRAWING		
		A.VAN ZANDVOORT				
		A.VAN ZANDVOORT		SCALE		
		A.VAN ZANDVOORT				
		A.VAN ZANDVOORT		SHEET		
		A.VAN ZANDVOORT				
		A.VAN ZANDVOORT		1 OF 2		
		A.VAN ZANDVOORT				
		A.VAN ZANDVOORT		REV		
		A.VAN ZANDVOORT				
		A.VAN ZANDVOORT		A1		
		A.VAN ZANDVOORT				

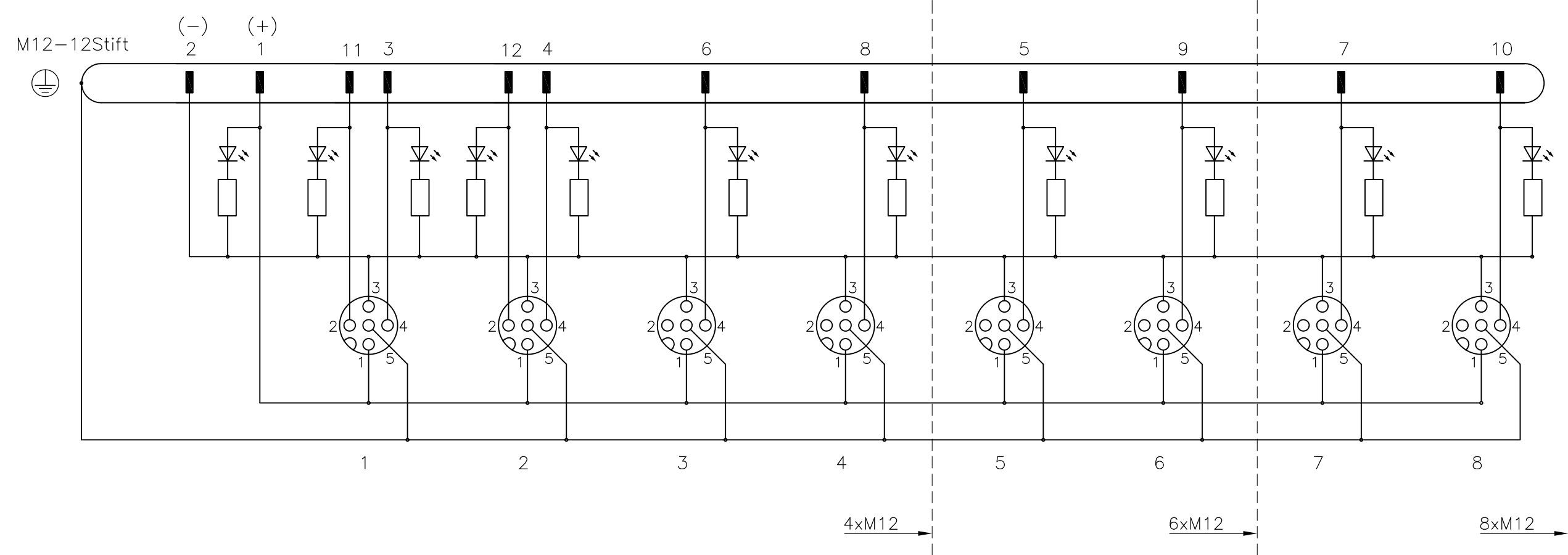
THIS DRAWING IS UNPUBLISHED. RELEASED FOR PUBLICATION
 © COPYRIGHT - By - ALL RIGHTS RESERVED.

LOC	DIST	REVISIONS					
H	-	P	LTR	DESCRIPTION	DATE	DWN	APVD
		-		SEE SHEET 1	-	-	-

Contact layout



Circuit diagram



THIS DRAWING IS A CONTROLLED DOCUMENT.		DWN 16JAN2014 SATHISH KUMAR .G	STE TE Connectivity	
DIMENSIONS: mm		CHK 16JAN2014 B.VELDHOVEN		
TOLERANCES UNLESS OTHERWISE SPECIFIED:		APVD 16JAN2014 A.VAN ZANDVOORT	NAME DISTR BOX M12 4-5POS 8WAY M12/12P PNP	
0 PLC ± -		PRODUCT SPEC -	SIZE CAGE CODE DRAWING NO RESTRICTED TO	
1 PLC ± -		APPLICATION SPEC -	A3 00779 C-2273161	
2 PLC ± -		WEIGHT -	SCALE NTS SHEET 2 OF 2 REV A1	
3 PLC ± -		CUSTOMER DRAWING		
4 PLC ± -				
ANGLES ± -				
MATERIAL -				
FINISH -				