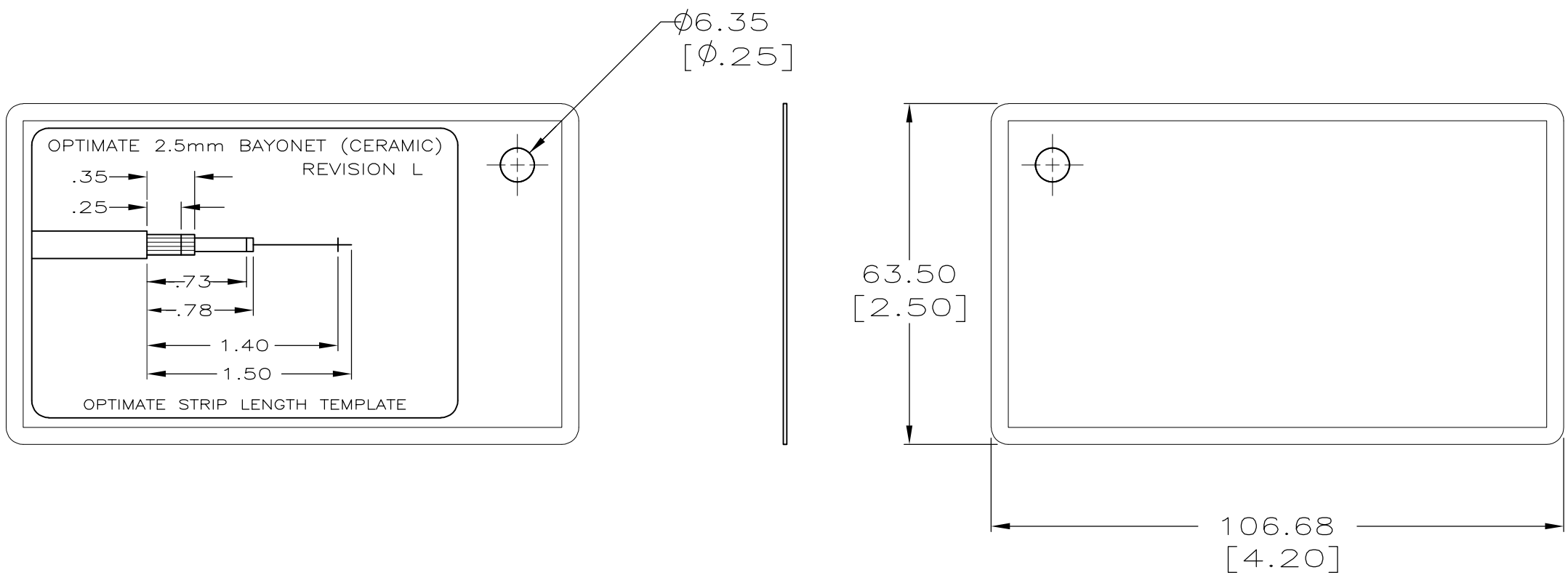



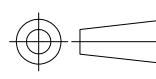
THIS DRAWING IS UNPUBLISHED. RELEASED FOR PUBLICATION
 © COPYRIGHT - By - ALL RIGHTS RESERVED.

LOC		DIST		REVISIONS					
CE		16		P	LTR	DESCRIPTION	DATE	DWN	APVD
				D		REV PER ECO-13-014935	24SEP13	JB	TE



1. DIMENSIONS IN [] ARE IN INCHES.
2. STRIP LENGTH DIMENSIONS TO BE TO SCALE.

501814-1
 PART NUMBER

THIS DRAWING IS A CONTROLLED DOCUMENT.		DWN P.YEAGER 9-29-94	 TE Connectivity		
DIMENSIONS: INCHES		CHK S.BUCHTER 9-30-94			
		TOLERANCES UNLESS OTHERWISE SPECIFIED:		NAME	
MATERIAL		FINISH		CABLE PREPERATION TEMPLATE, 2.5mm BAYONET CERAMIC	
-		-		PRODUCT SPEC	RESTRICTED TO
				APPLICATION SPEC	
				WEIGHT	SIZE
				-	A3
				CUSTOMER DRAWING	CAGE CODE
					00779
					DRAWING NO
					C-501814
				SCALE	SHEET
				1:1	1 OF 1
				REV	D