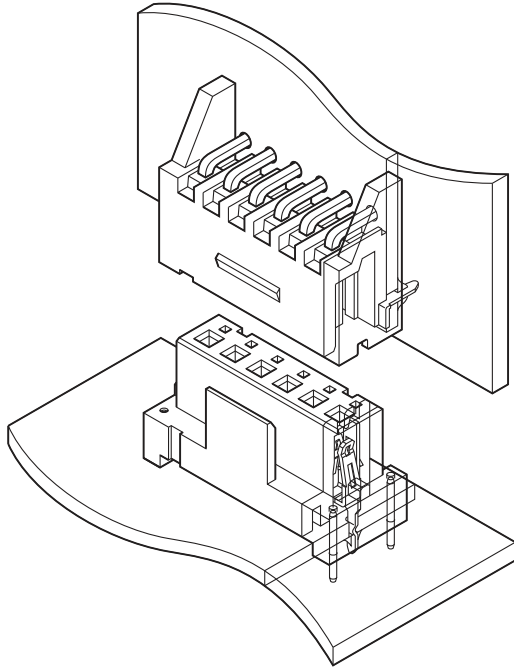


# JL CONNECTOR

2.5 mm pitch/Board-to-Board connectors/Mating style



The JL series is a 2.5 mm pitch board-to-board connector designed for perpendicular connections with improved mounting strength. It is robust and offers excellent resistance against shock and vibration.

- High contact pressure contact
- High reliability locking mechanism
  - \*There are two types of locks: secure lock and friction lock
- Increased board mounting strength with reinforcement pins
- Polarization feature to prevent incorrect mating
- Superior pry resistance

## ■ Standards

Ⓜ :Recognized E 60389

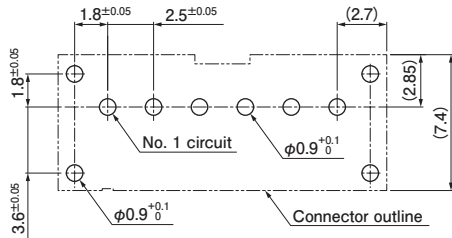
Ⓢ :Certified LR 20812

## ■ Specifications

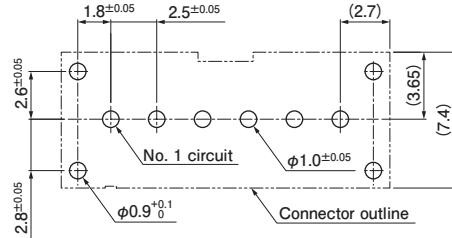
- Current rating: 3 A AC/DC
  - Voltage rating: 250 V AC/DC
  - Temperature range: -25°C to +85°C  
(including temperature rise in applying electrical current)
  - Contact resistance:
    - Initial value/ 10 mΩ max.
    - After environmental tests/ 20 mΩ max.
  - Insulation resistance: 1,000 MΩ min.
  - Withstanding voltage:
    - There shall be no breakdown or flashover while applying 1,000 VAC for one minute.
  - Applicable PC board thickness: 1.6 mm
- \* Please refer to the "Handling Precautions for Terminals and Connectors" on our website (listed in the "Technical Documents" column on the Product Information page) before use.
- \* RoHS2 compliance
  - \* Dimensional unit: mm
  - \* Contact JST for details.

## PC board layout and Assembly layout

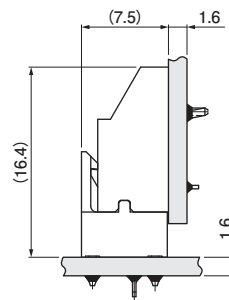
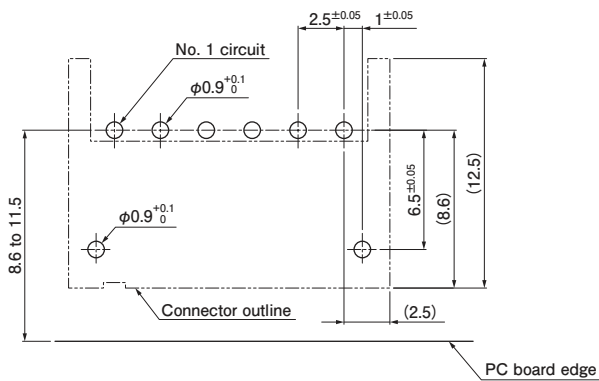
### Socket



### Socket on radial-tape

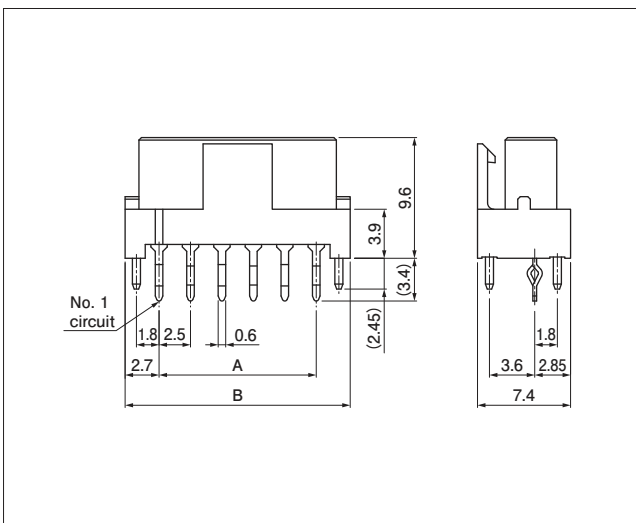


### Header



- Note: 1. The PC board layout is the figure viewed from the connector mounting side.  
 2. Tolerance for the PCB hole pitch shall be  $\pm 0.05$  and shall not accumulate.  
 3. Hole dimensions differ according to the type of PC board and piercing method.  
 The above dimensions are reference values. Please contact JST for details.

## Receptacle



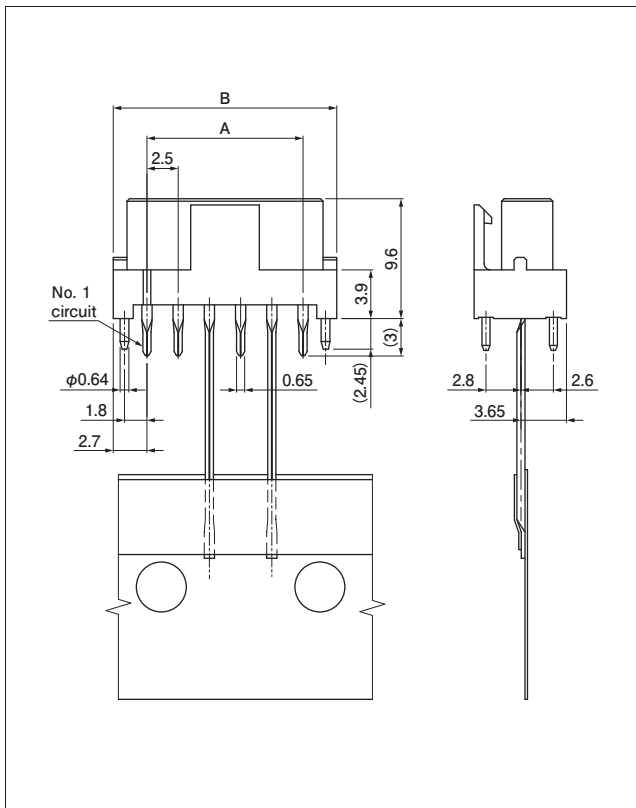
No. of circuits	Model No.	Dimensions (mm)		Q'ty/box
		A	B	
3	03JL-BT-E	5.0	10.4	250
4	04JL-BT-E	7.5	12.9	200
5	05JL-BT-E	10.0	15.4	200
6	06JL-BT-E	12.5	17.9	200
7	07JL-BT-E	15.0	20.4	200
8	08JL-BT-E	17.5	22.9	100
9	09JL-BT-E	20.0	25.4	100
10	10JL-BT-E	22.5	27.9	100
11	11JL-BT-E	25.0	30.4	100
12	12JL-BT-E	27.5	32.9	100
13	13JL-BT-E	30.0	35.4	100
15	15JL-BT-E	35.0	40.4	50

Material and Surface finish, etc.

Contact: Phosphor bronze, tin-plated  
 Housing: PA 66, UL94V-0, blue  
 Reinforcing pins: Brass, copper-undercoated, tin-plated

Note: This product displays (LF) (SN) on a label.

## Receptacle on radial-tape



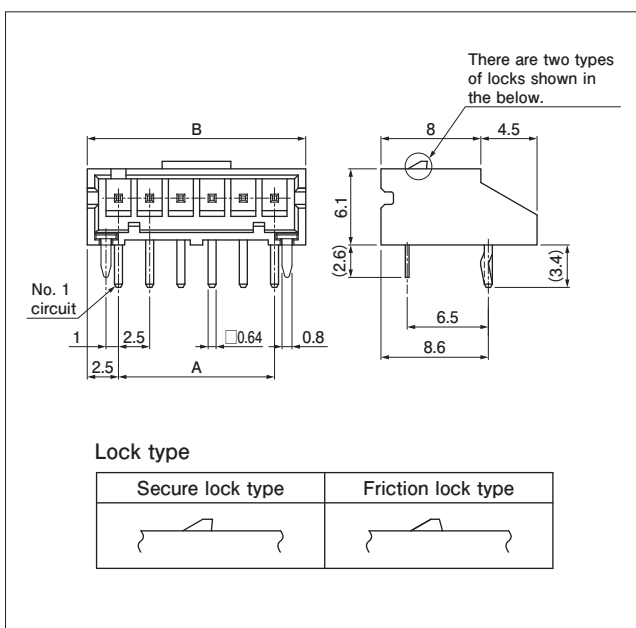
No. of circuits	Model No.	Dimensions (mm)		Q'ty/box
		A	B	
5	05JL-BT-M-T	10.0	15.4	400
6	06JL-BT-M-T	12.5	17.9	400
7	07JL-BT-M-T	15.0	20.4	400
8	08JL-BT-M-T	17.5	22.9	400

### Material and Surface finish, etc.

Contact: Phosphor bronze, tin-plated  
Housing: PA 66, UL94V-0, green  
Reinforcing pins: Brass, copper-undercoated, tin-plated

Note: This product displays (LF) (SN) on a label.

## Header



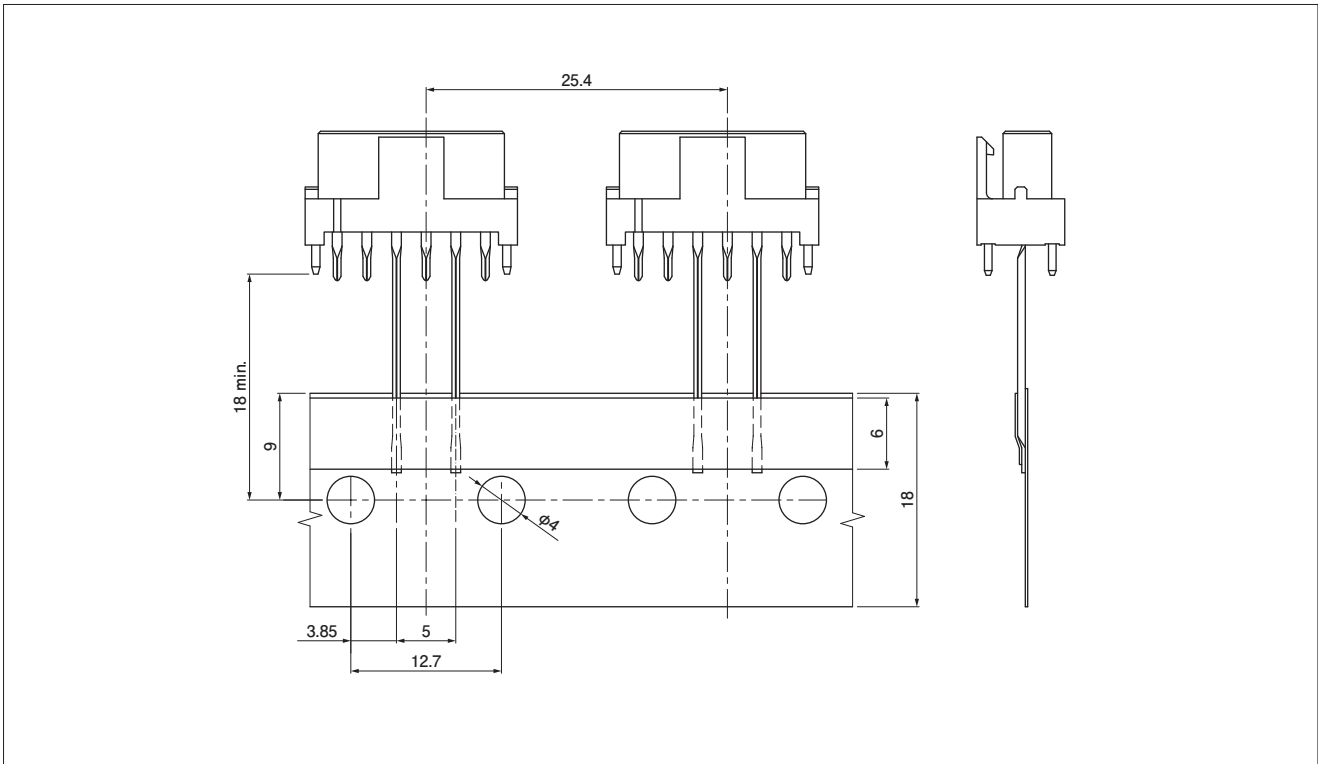
No. of circuits	Model No.		Dimensions (mm)		Q'ty/box
	Secure lock type	Friction lock type	A	B	
3	S3B-JL-R	S3B-JL-F-E	5.0	10.0	250
4	S4B-JL-R	S4B-JL-F-E	7.5	12.5	200
5	S5B-JL-R	S5B-JL-F-E	10.0	15.0	200
6	S6B-JL-R	S6B-JL-F-E	12.5	17.5	200
7	S7B-JL-R	—	15.0	20.0	200
8	S8B-JL-R	S8B-JL-F-E	17.5	22.5	100
9	S9B-JL-R	S9B-JL-F-E	20.0	25.0	100
10	S10B-JL-R	S10B-JL-F-E	22.5	27.5	100
11	S11B-JL-R	S11B-JL-F-E	25.0	30.0	100
12	S12B-JL-R	S12B-JL-F-E	27.5	32.5	100
13	S13B-JL-R	S13B-JL-F-E	30.0	35.0	100
15	S15B-JL-R	S15B-JL-F-E	35.0	40.0	100

### Material and Surface finish, etc.

Post: Brass, copper-undercoated, tin-plated  
Wafer: PA 66, UL94V-0, red (Secure lock type)  
blue (Friction lock type)  
Reinforcing pins: Brass, tin-plated

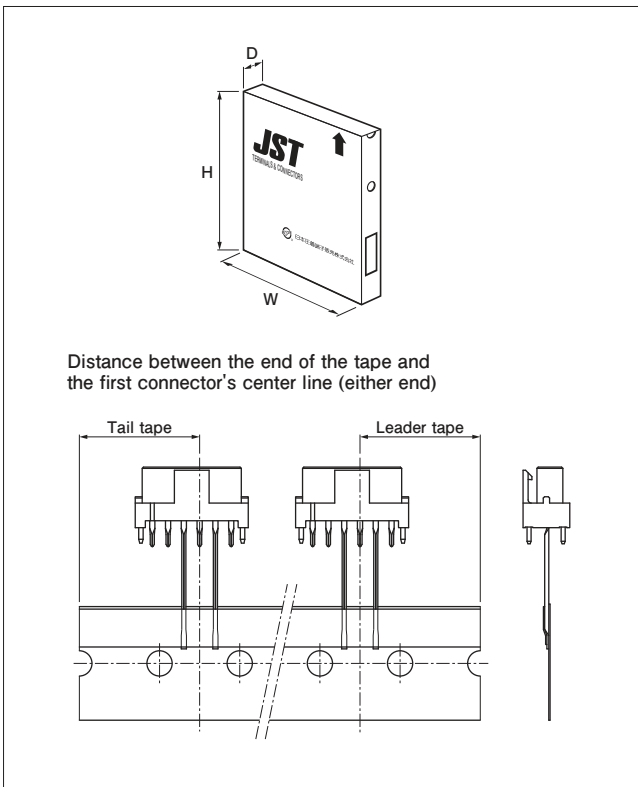
Note: This product displays (LF) (SN) on a label.

## Taping Specifications



Note: Conforms to IEC 60286-2 (JIC C 0806-2) "Tape packaging of components with unidirectional leads on continuous tapes".

## Packaging specifications



Packaging style	Flat pack (zigzag folded)
Distance between folds	24 index holes per fold (304.8 mm)
Box size	315 (W) × 48 (D) × 285 (H) mm
Distance between the end of the tape and the first connector's center line (either end)	19.05 mm
Quantity per package (5 to 8 circuits)	400 pcs. / box

Note: Products of different packaging specifications are also available. Contact JST for details.