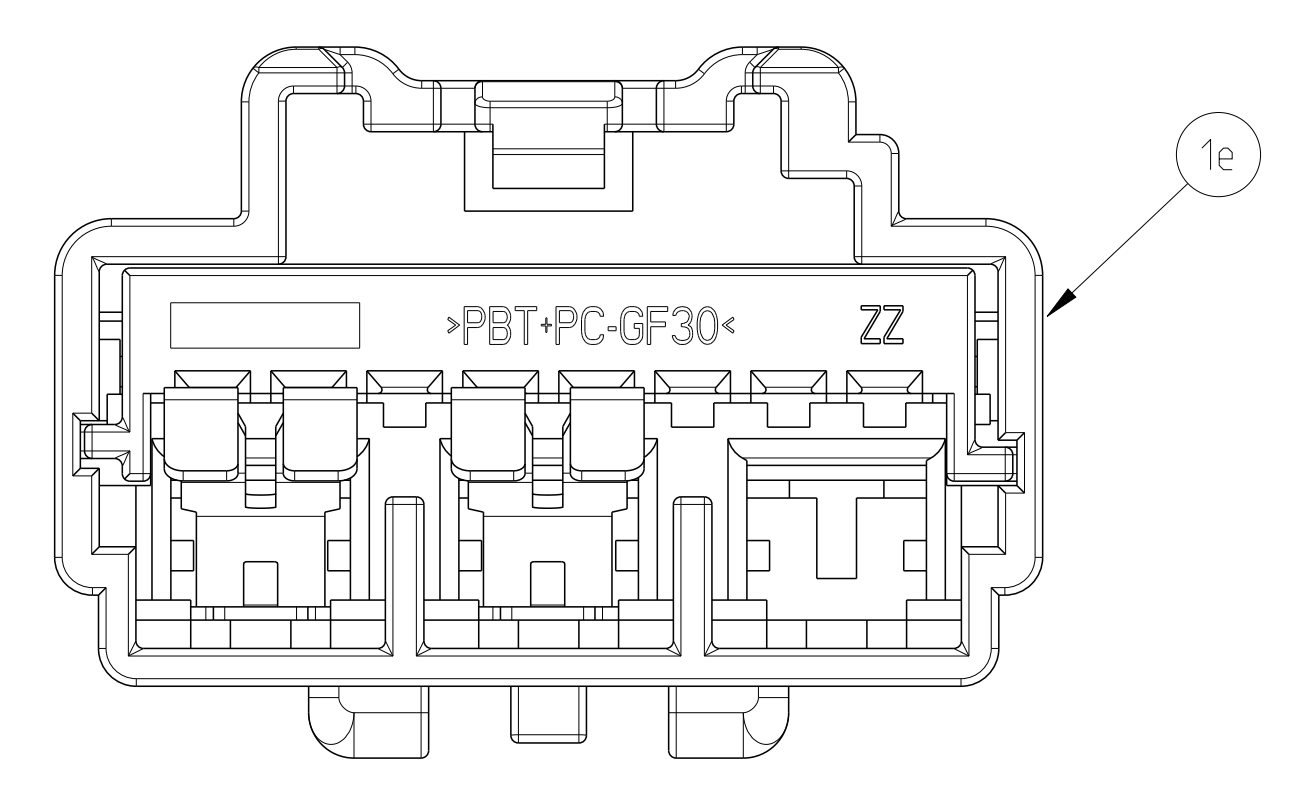
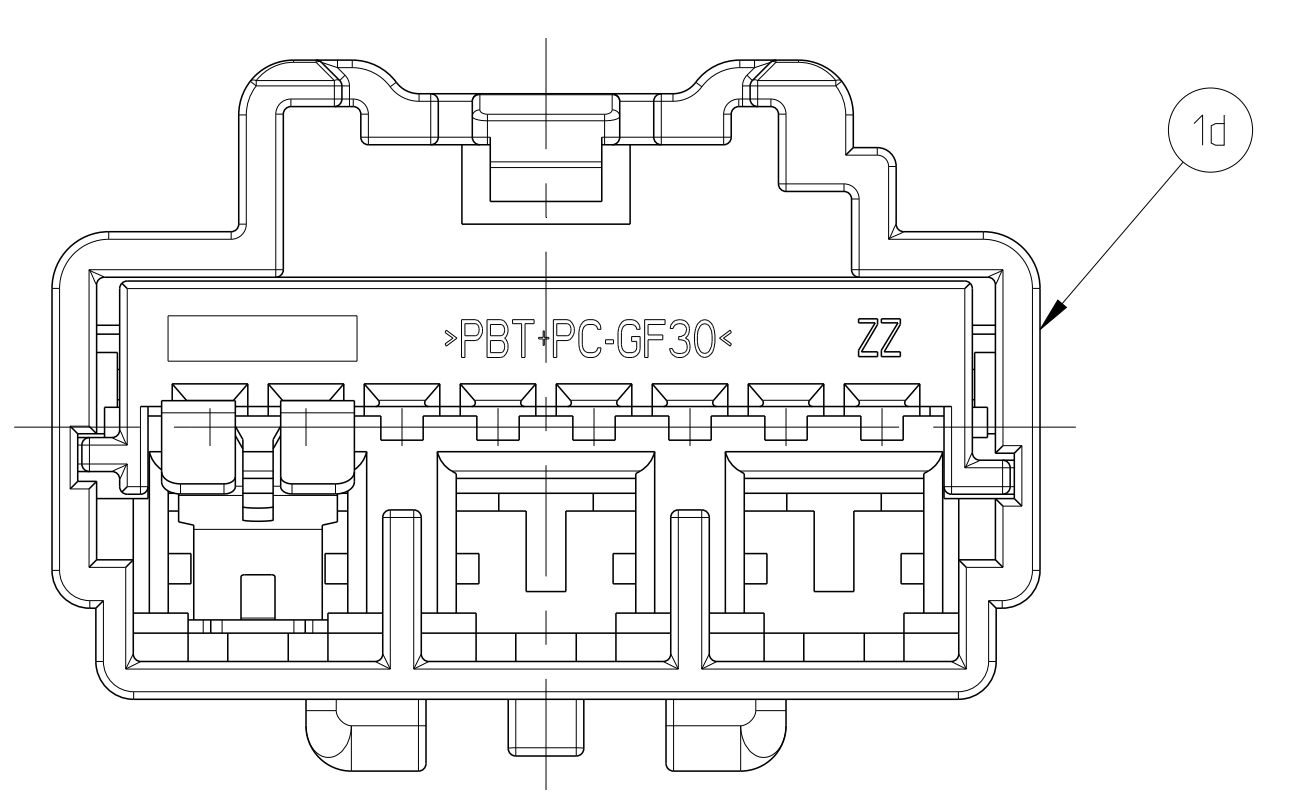


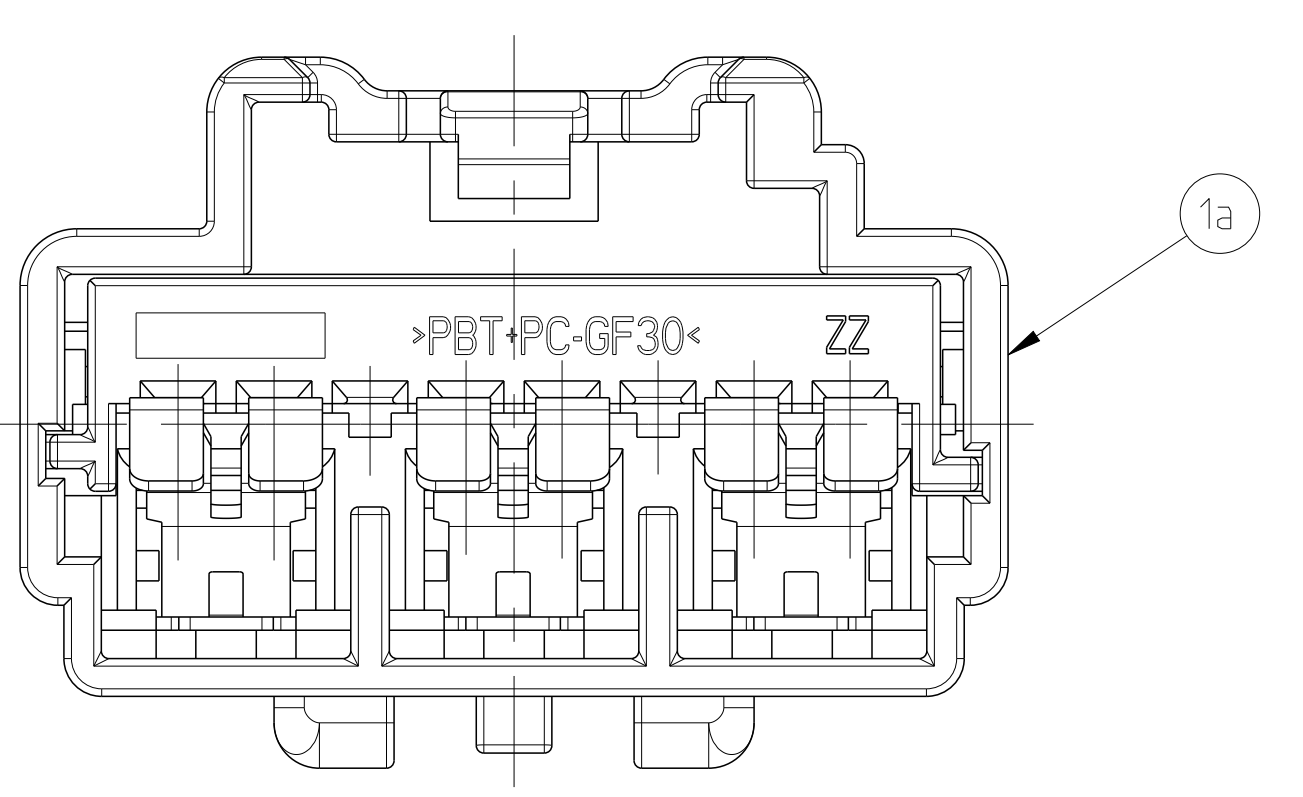
LOC	DIST	REV	DATE	BY	APPD
A1	-	B	100512005	CW	GS
		B1	20MAR2013	SH	KR
		B2	16SEP2016	SH	GS



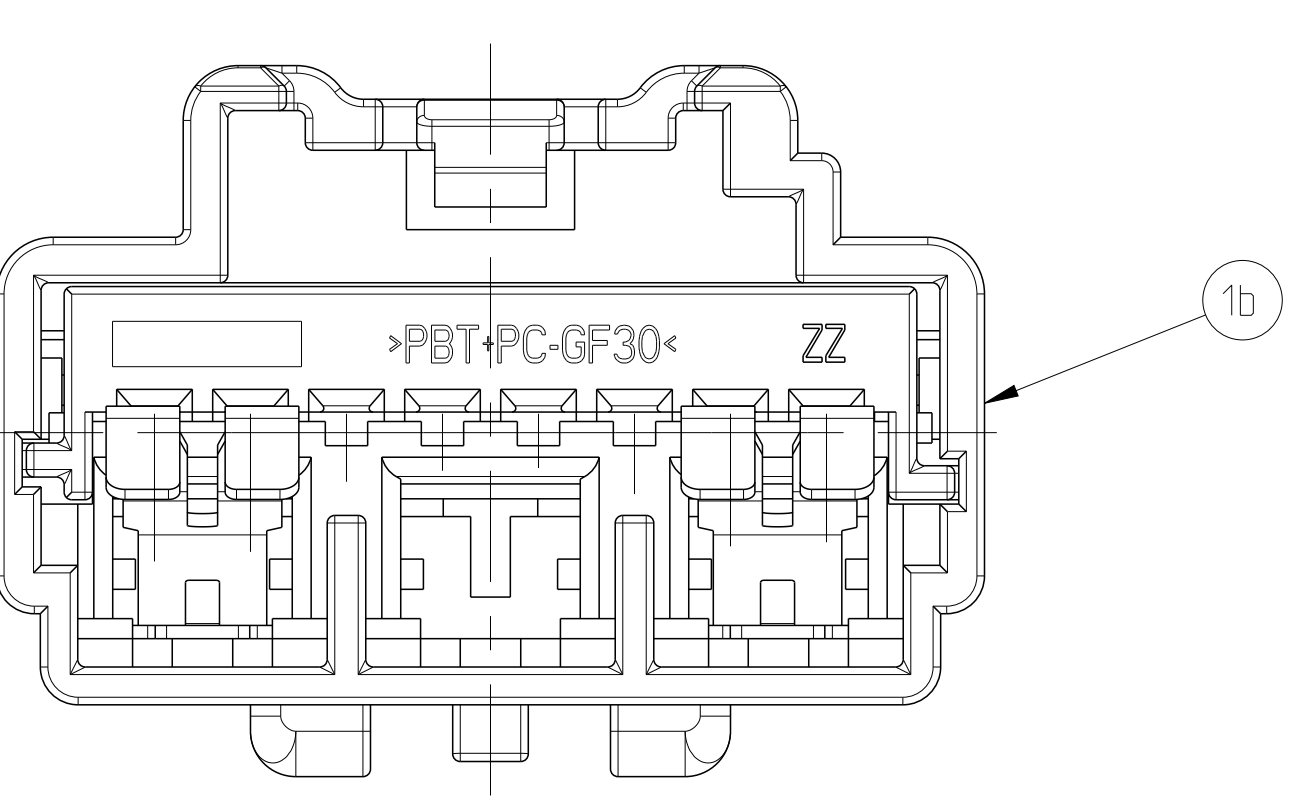
(B2)
 CODING X
 PN 3-1719040-1



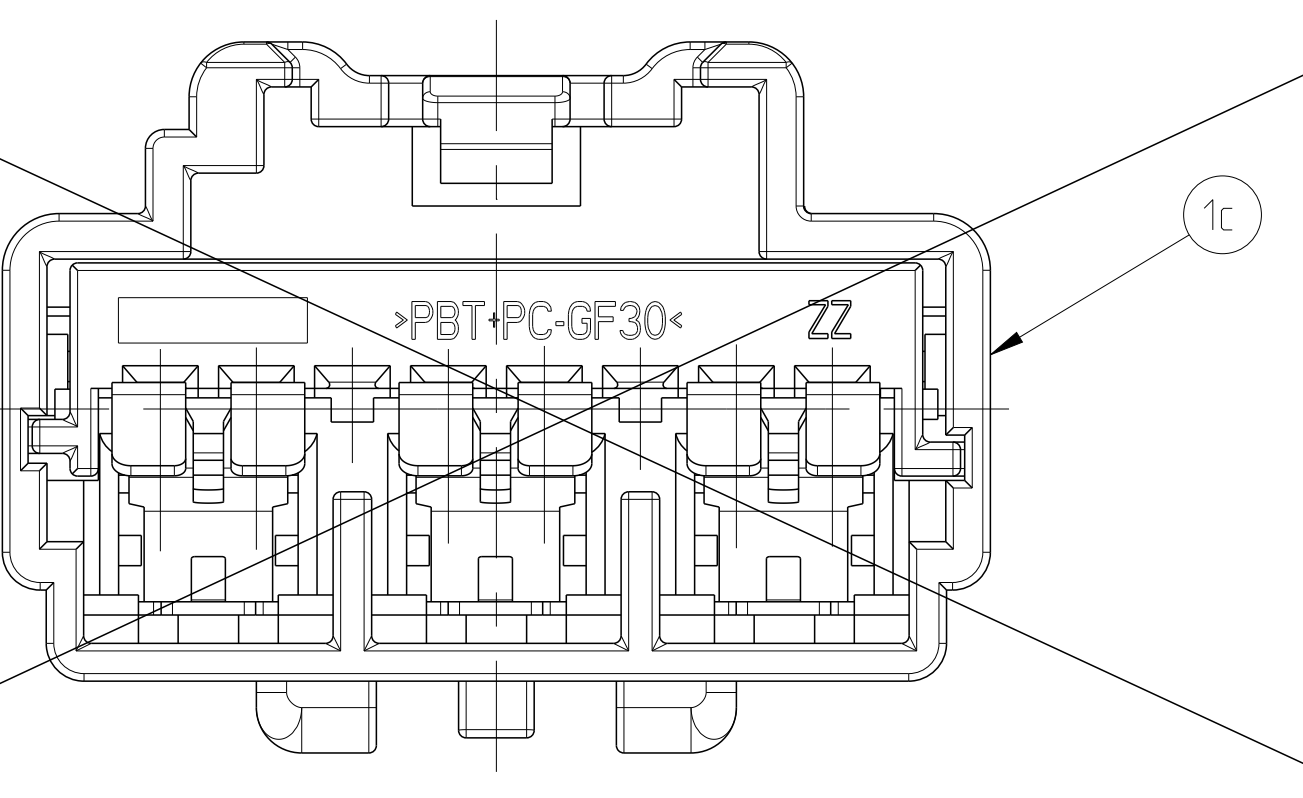
CODING X
 PN 2-1719040-1



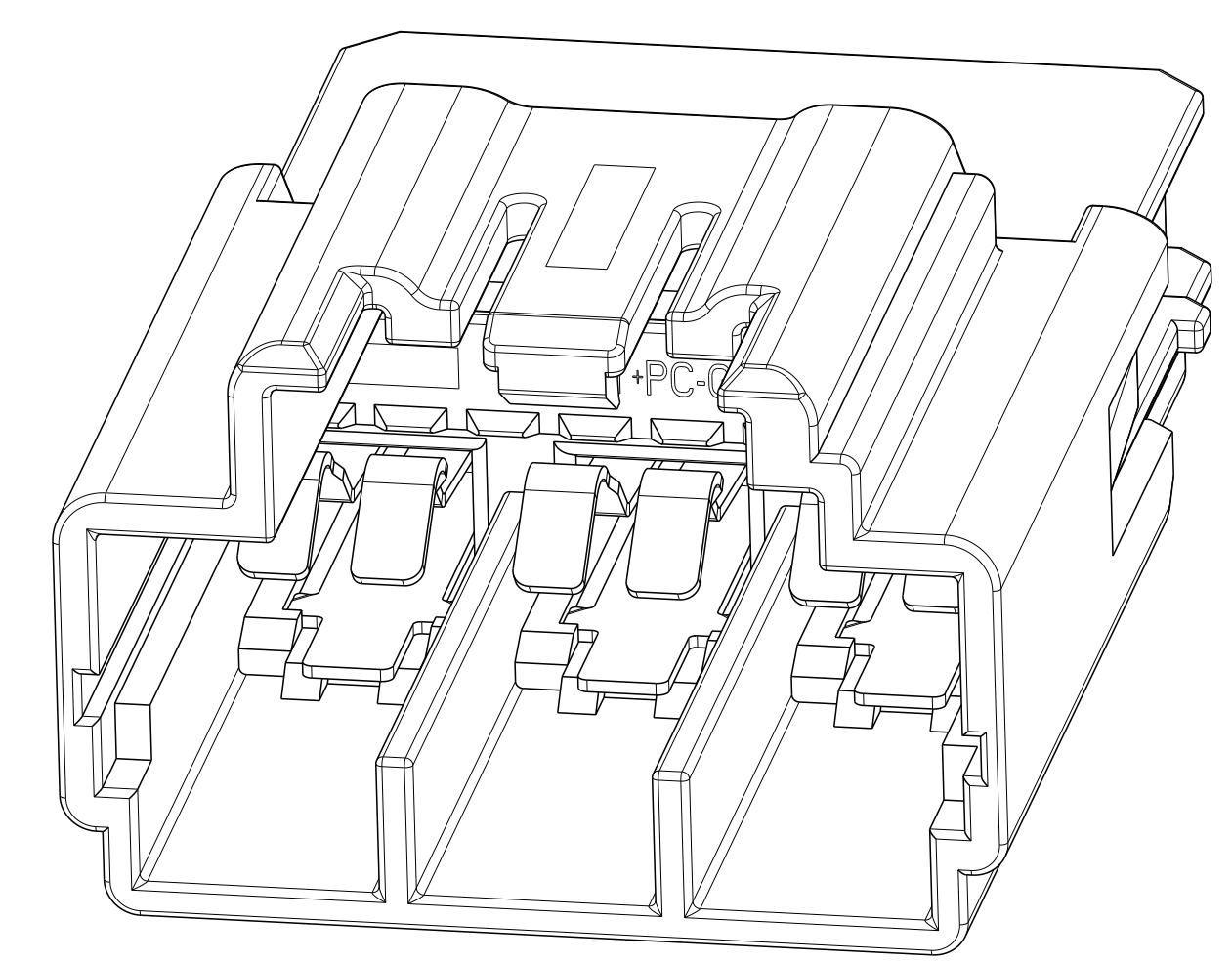
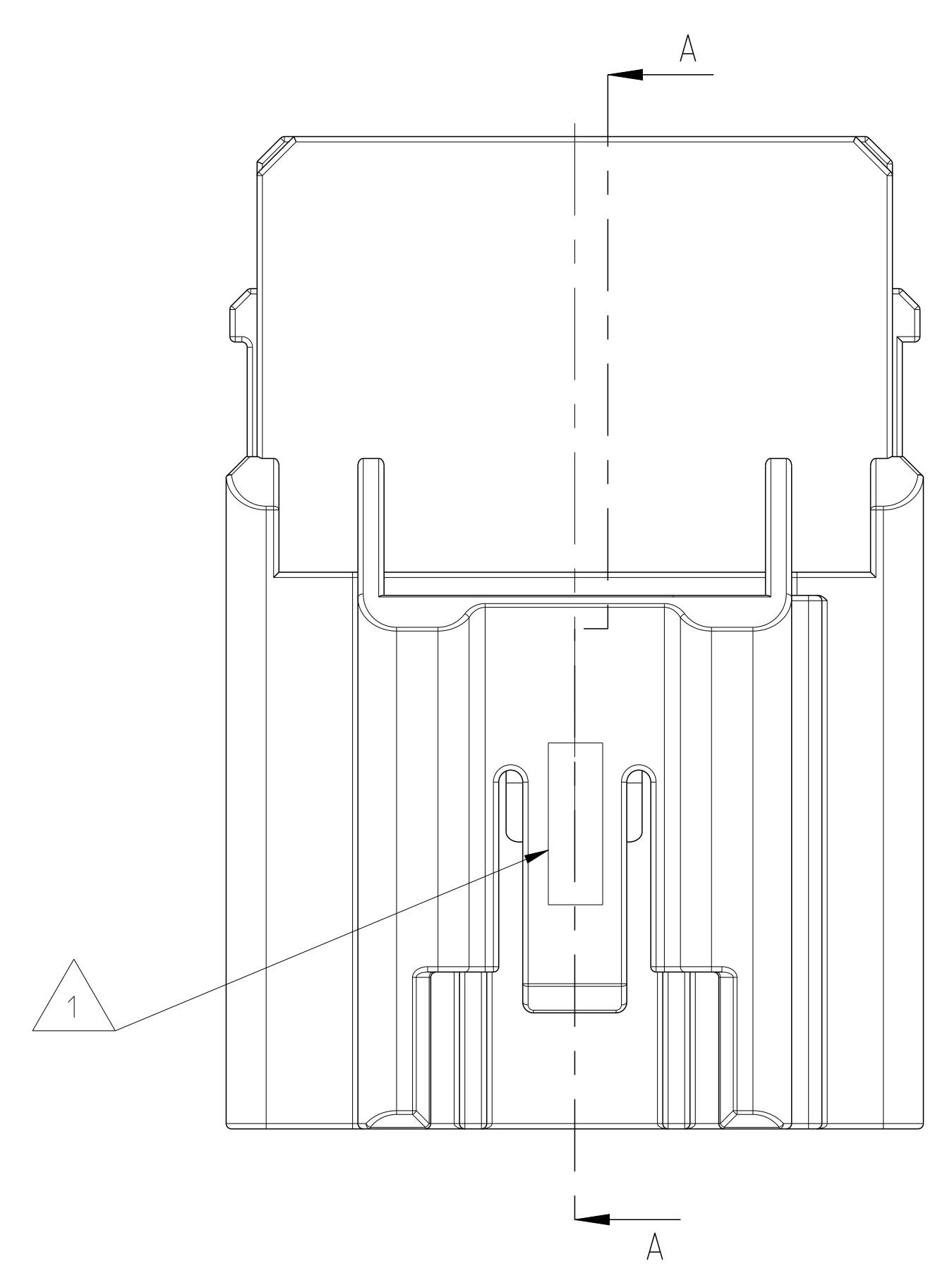
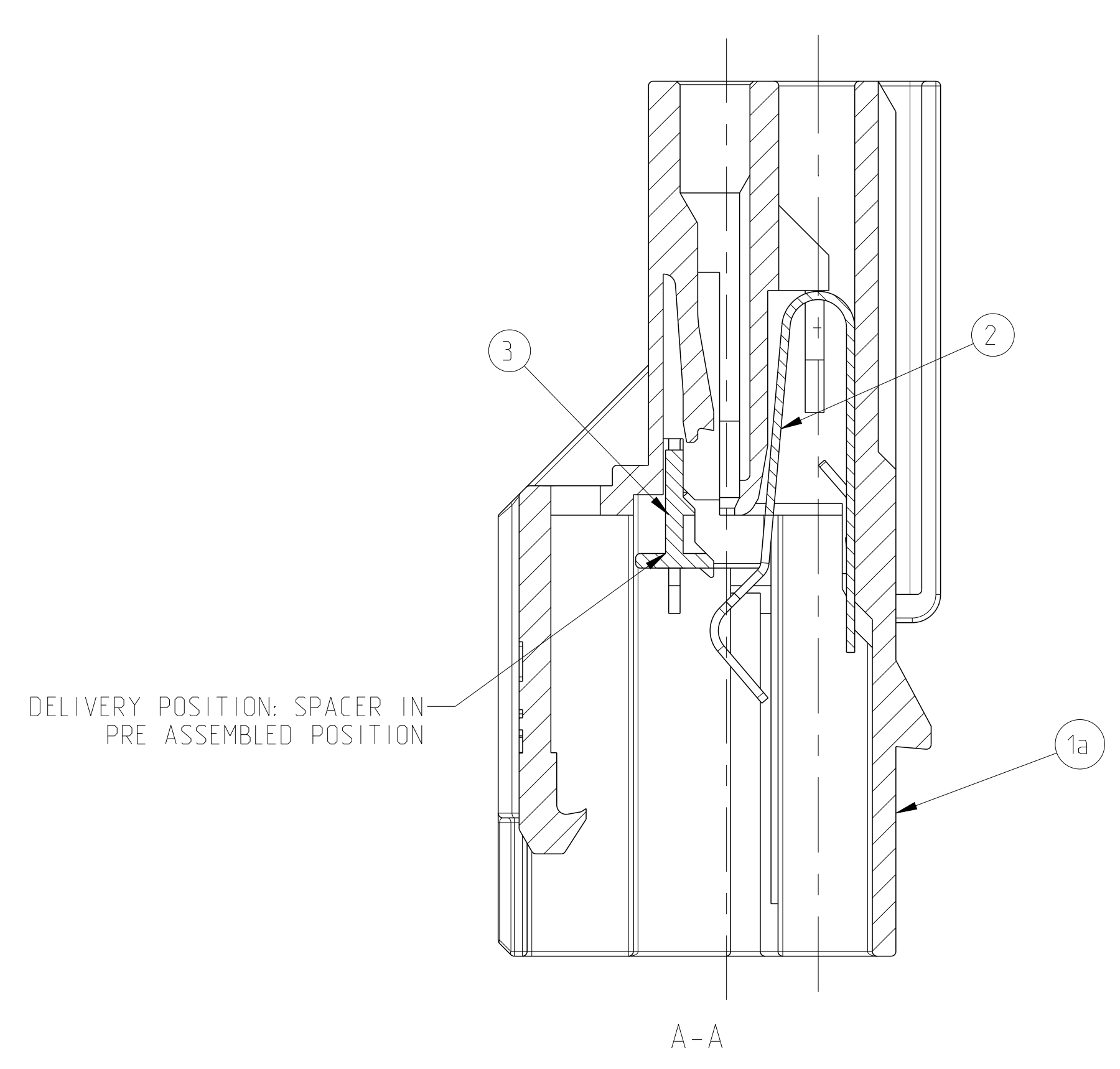
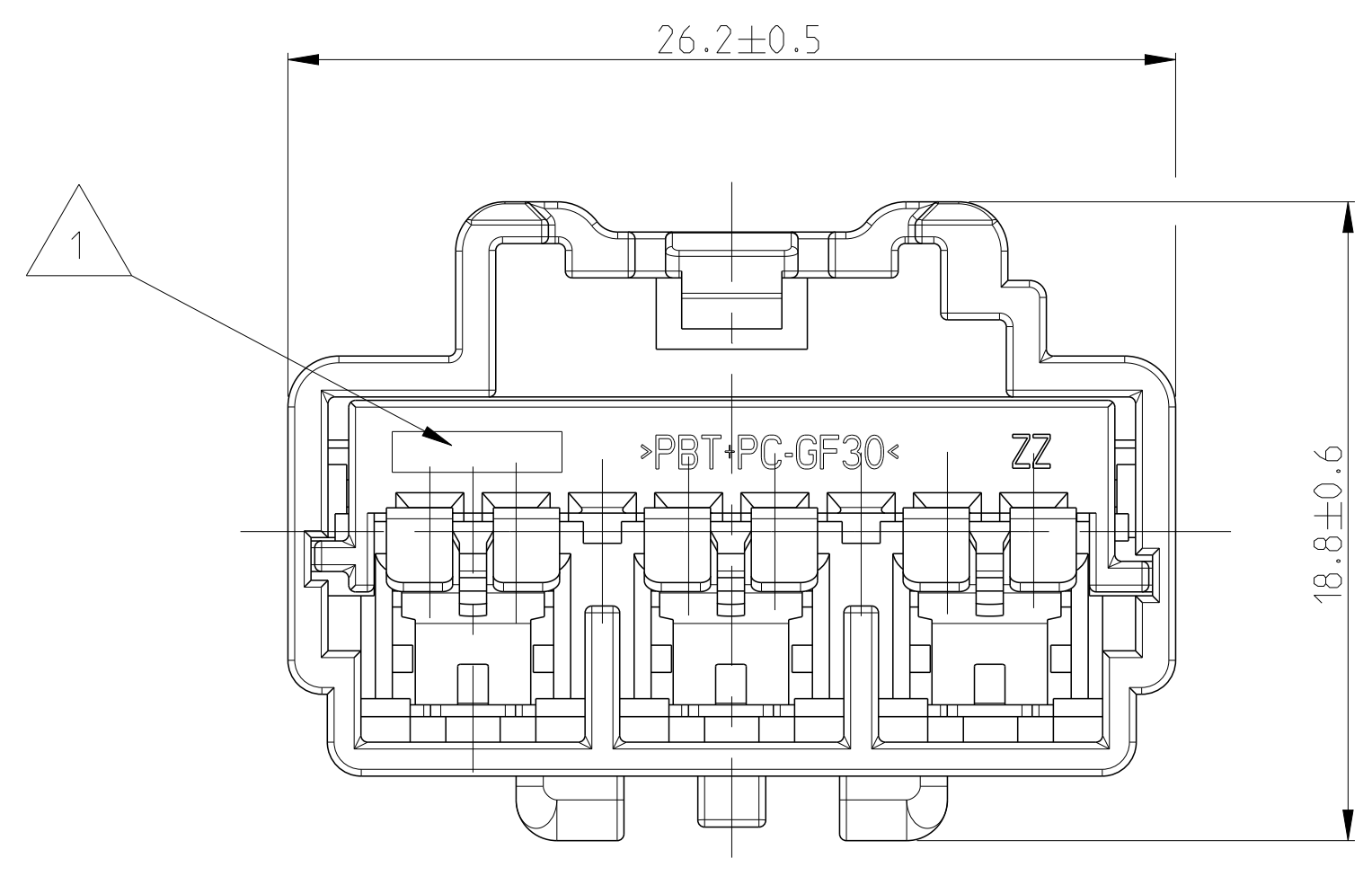
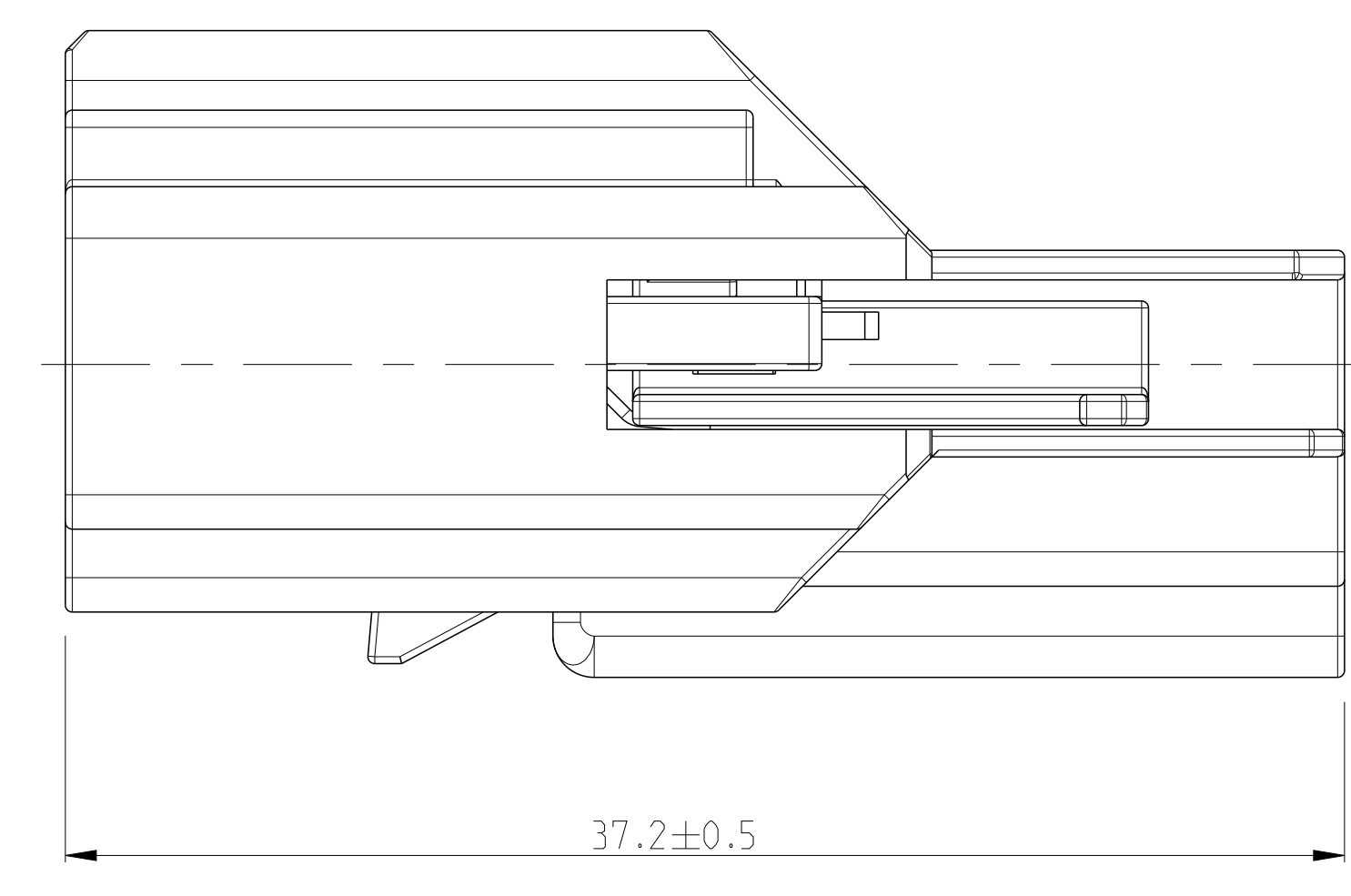
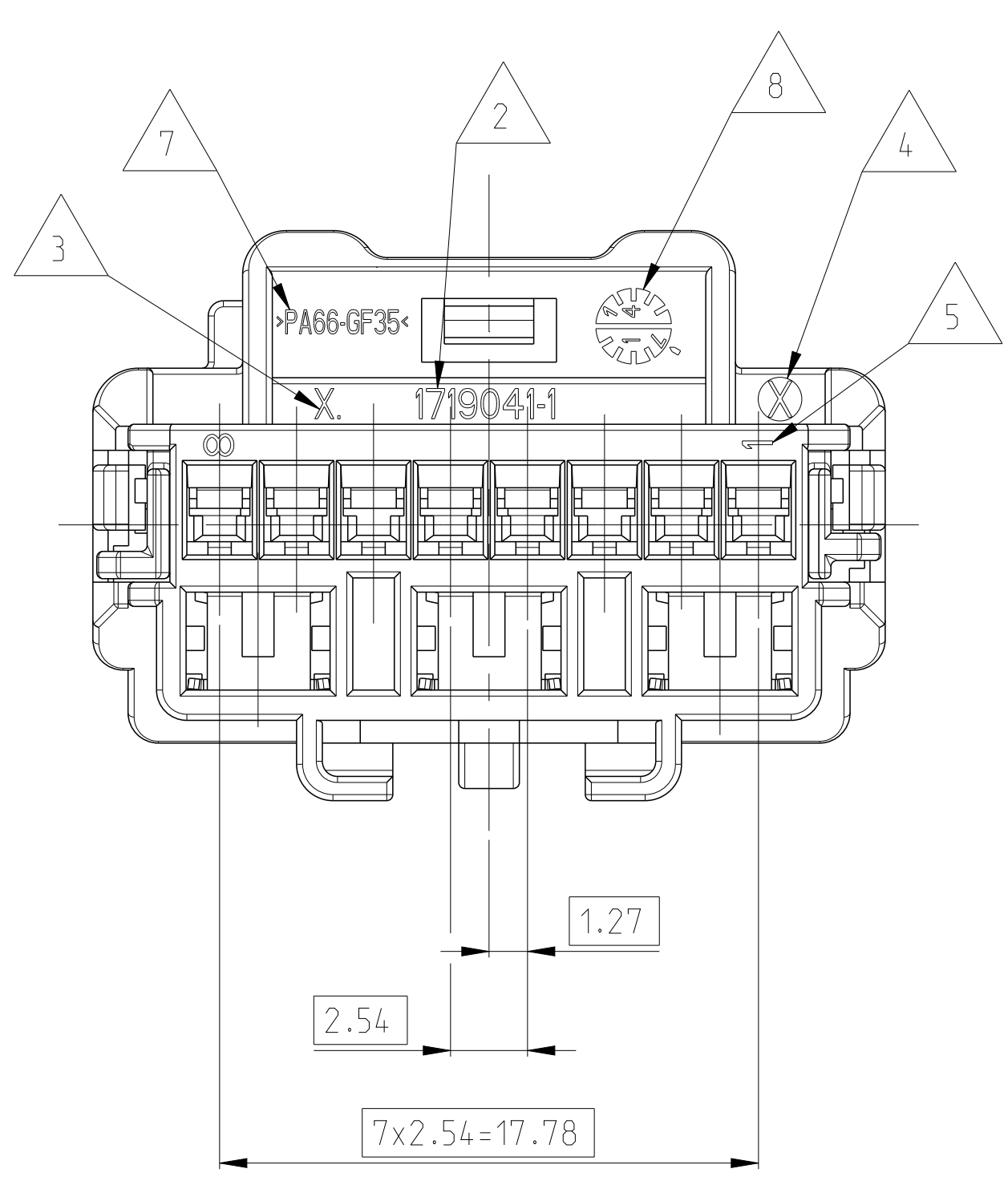
CODING X
 PN 1719040-1



CODING X
 PN 1-1719040-1



CODING Z
 PN 1719040-2



- NOTES:
 Bemerkungen:
- 1 TE-LOGO (OPTIONAL)
TE-Logo (optional)
 - 2 TE-HOUSING PART NUMBER
TE-Gehäuseartikelnummer
 - 3 HOUSING REVISION-NUMBER
Gehäuse-Werkzeugaenderungsindex
 - 4 TOOL CAVITY MARKING
Nestmarkierung
 - 5 CAVITY MARKING
Kammernummerierung
 - 6 PACKAGING: CORRUGATED LAYER PAD IN SHIPPING BOX
Verpackung: Lagenverpackung
 - 7 MATERIAL MARKING
Werkstoffkennzeichnung
 - 8 PRODUCTION DATE
Produktionsdatum
 - 9 TOLERANCES UNLESS OTHERWISE SPECIFIED ±0.3
Toleranzen wenn nicht anders spezifiziert ±0.3
 - 10 MATING PART: 1x8POS. GET FEMALE HOUSING
TE-PN: 9-1419169-7
 - 11 SUITABLE GET MALE TERMINALS: TE-PN: 3-1419158-1 (GOLD) FORD-PN: 112T-14421-DA 0.22/0.35mm²
TE-PN: 2-1419158-3 (GOLD) FORD-PN: 112T-14421-EA 0.5/0.75mm²
 - 12 1719040-1 IS SHOWN
1719040-1 wird gezeigt
- 6 DENOTES BASIC DIMENSIONS HAVE ZERO TOLERANCE AND DESCRIBE THE THEORETICAL, EXACT LOCATION (TRUE POSITION) OF A FEATURE OR CONTUR.
 Theoretische Funktionsmasse, sie haben keine Toleranz und geben eine genaue Lage, Funktion oder Kontur an

ASSY PART-NO.	ASSY REV.	DESCRIPTION	MATERIAL	COLOR	ITEM NO.
3-1719040-1	B	SPACER	PBT-PC-GF30	RED	3
	Zx	SHORT-CIRCUIT-SPRING	X12C-N1177	-	2
	1x	MALE HOUSING	PA66-GF35	CORRY YELLOW	1a
2-1719040-1	B	SPACER	PBT-PC-GF30	RED	3
	Zx	SHORT-CIRCUIT-SPRING	X12C-N1177	-	2
	1x	MALE HOUSING	PA66-GF35	Bordbrun VIOLETT	1d
1719040-2	B	SPACER	PBT-PC-GF30	RED	3
	Zx	SHORT-CIRCUIT-SPRING	X12C-N1177	-	2
	1x	MALE HOUSING	PA66-GF35	YELLOW	1c
1-1719040-1	B	SPACER	PBT-PC-GF30	RED	3
	Zx	SHORT-CIRCUIT-SPRING	X12C-N1177	-	2
	1x	MALE HOUSING	PA66-GF35	ORANGE	1b
1719040-1	B	SPACER	PBT-PC-GF30	RED	3
	Zx	SHORT-CIRCUIT-SPRING	X12C-N1177	-	2
	1x	MALE HOUSING	PA66-GF35	YELLOW	1a

THIS DRAWING IS A CONTROLLED DOCUMENT.

DATE: 03MAY2005
 BY: St. Meinhard
 CHECKED: 02MAY2005
 G. Steinbach
 G. Number: 02MAY2005

NAME: BPOS. GET MALE HOUSING WITH SHORTING BARS UNSEALED

SCALE: 5:1

SHEET 1 OF 1

REV B2

STE TE Connectivity