
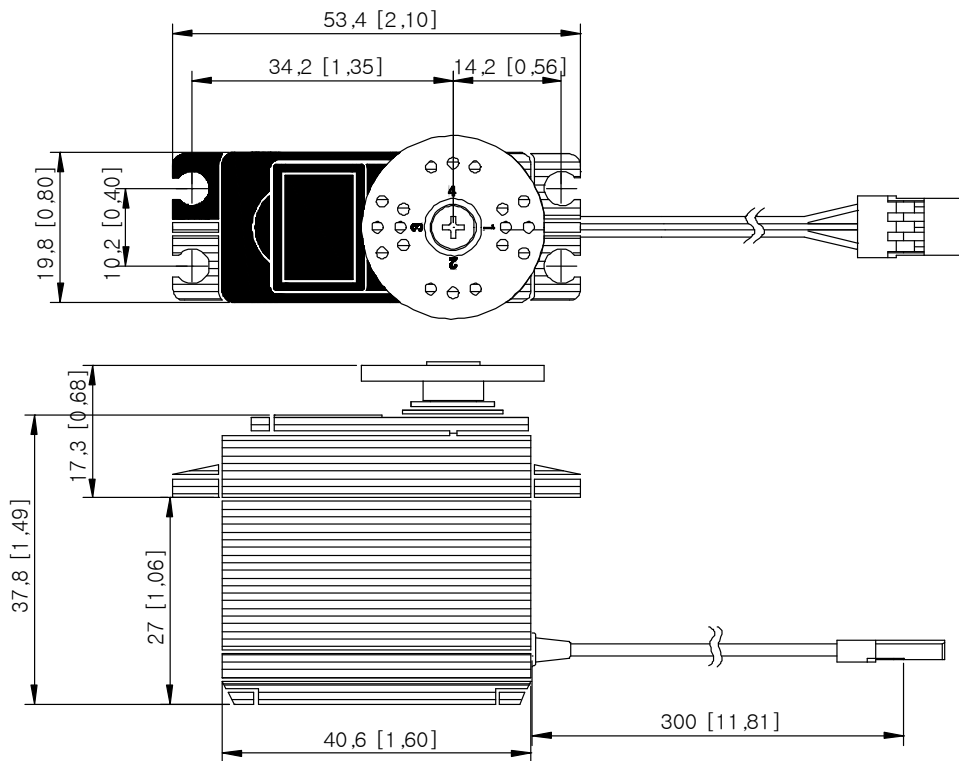


HS-645MG General Specification.



STANDARD DELUXE HIGH TORQUE SERVO

Control system	PWM			-	
Position sensor type	Contact Analog Potentiometer			-	
Operating voltage range	4.8 ~ 6.0 V			-	
Motor type	Cored Metal Brush			-	
Voltage	4.8V	6.0V	-	At 25°C, 45% (±10%) measurement environment	
No load speed	0.24sec/60°	0.2 sec/60°	-		
Stall torque	7.7 kgf·cm(106.93oz·in)	9.6 kgf·cm(133.32oz·in)	-		
Standing current	8.8mA	9.1mA	-		
No load running current	350mA	450mA	-		
Stall current	-	-	-		
Dead band width	8usec	8usec	-		
Operating travel	45°/One side pulse traveling 400usec				-
Operating temperature range	-20°C ~ +60°C (-4°F ~ +140°F)				-
Vibrations at no load	-				-
Storage temperature range	-30°C ~ +80°C (-31°F ~ +176°F)			-	
Connector wire length	300mm(11.81inch)				
Connector wire gauge	22AWG				
Dimensions	40.6 mm x 19.8 mm x 37.8 mm (1.6 inch x 0.78inch x 1.49inch)			-	
Weight	55.2 g(1.95oz)			-	
Ball bearing	Dual Ball Bearing			-	
Case material	Engineering Plastic			-	
Gear material	1 Metal + Plastic & 3 Metal			-	
Gear train backlash	Max 0.5°			-	
Horn gear spline	24T(Ø6)			-	
IP rate	-			-	
Servo Amplifier type	Analog Contorller			-	
Features	-			-	
Applications	-			-	



1:1 scale (unit : mm)

