

Protective collar for EMERGENCY STOP mushroom pushbutton, 60 mm, 22 mm design, for 3 padlocks, yellow, plastic



product brand name	SIRIUS ACT
product designation	Protective collar
design of the product	for EMERGENCY STOP mushroom pushbuttons 60 mm, for 3 padlocks
product type designation	3SU1

**General technical data**

protection class IP	IP66, IP67, IP69(IP69K)
degree of protection NEMA rating	1, 2, 3, 3R, 4, 4X, 12

**Installation/ mounting/ dimensions**

height	58.9 mm
width	74.8 mm
depth	47.5 mm

**Accessories**

material of accessory	Plastic
color of accessory	yellow

**Certificates/ approvals**

General Product Approval	Declaration of Conformity
--------------------------	---------------------------



[Miscellaneous](#)

[Miscellaneous](#)



Declaration of Conformity	Test Certificates	Marine / Shipping
---------------------------	-------------------	-------------------



[Type Test Certificates/Test Report](#)



Marine / Shipping	other
-------------------	-------



[Confirmation](#)

[Confirmation](#)

[Confirmation](#)

[Confirmation](#)

[Confirmation](#)

other

[Confirmation](#)

#### Further information

Information- and Downloadcenter (Catalogs, Brochures,...)

<https://www.siemens.com/ic10>

Industry Mall (Online ordering system)

<https://mall.industry.siemens.com/mall/en/en/Catalog/product?mlfb=3SU1900-0EX30-0AA0>

Cax online generator

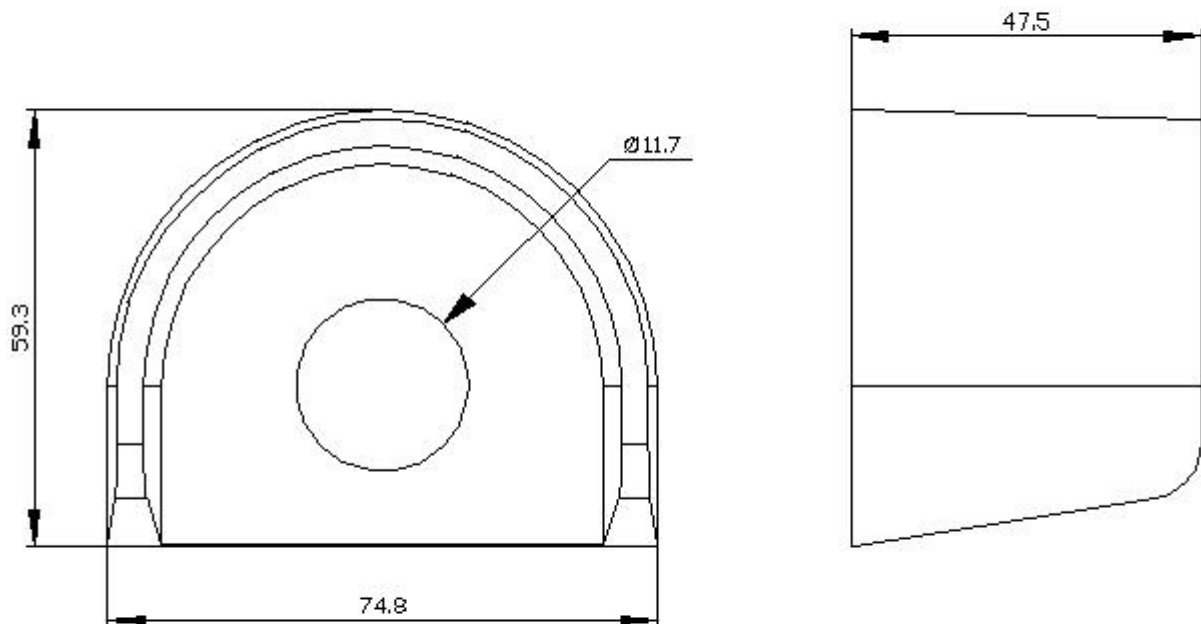
<http://support.automation.siemens.com/WW/CAXorder/default.aspx?lang=en&mlfb=3SU1900-0EX30-0AA0>

Service&Support (Manuals, Certificates, Characteristics, FAQs,...)

<https://support.industry.siemens.com/cs/ww/en/ps/3SU1900-0EX30-0AA0>

Image database (product images, 2D dimension drawings, 3D models, device circuit diagrams, EPLAN macros, ...)

[http://www.automation.siemens.com/bilddb/cax\\_de.aspx?mlfb=3SU1900-0EX30-0AA0&lang=en](http://www.automation.siemens.com/bilddb/cax_de.aspx?mlfb=3SU1900-0EX30-0AA0&lang=en)



last modified:

5/15/2020

