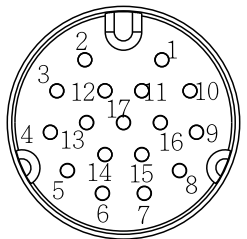
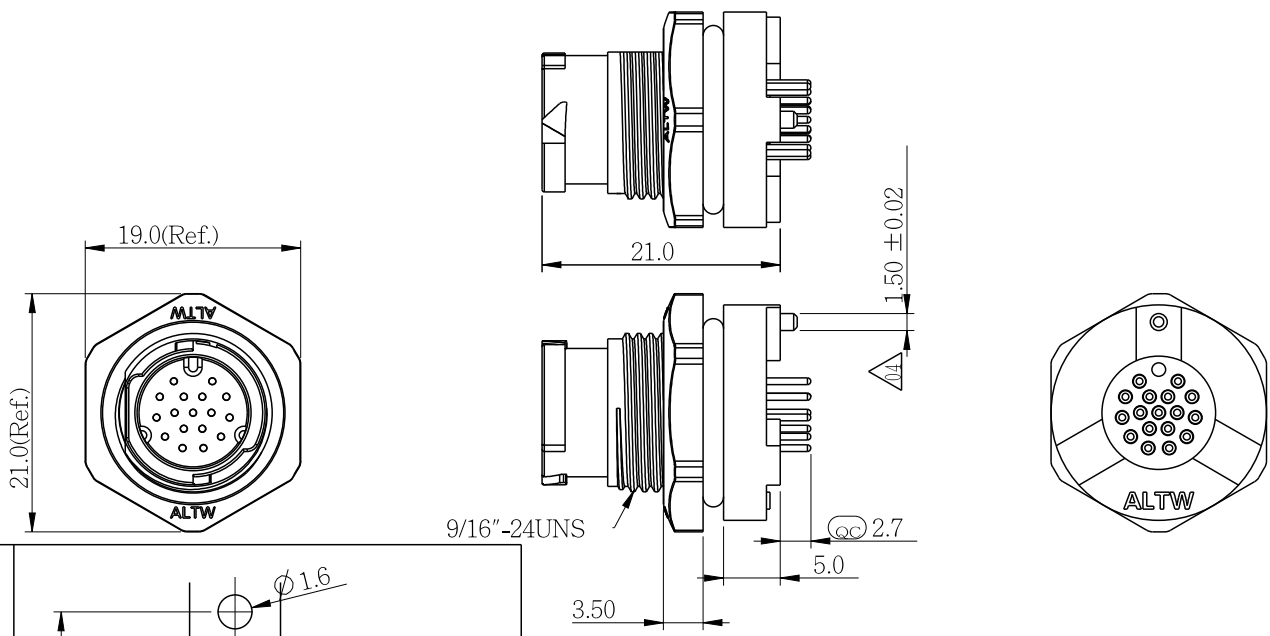
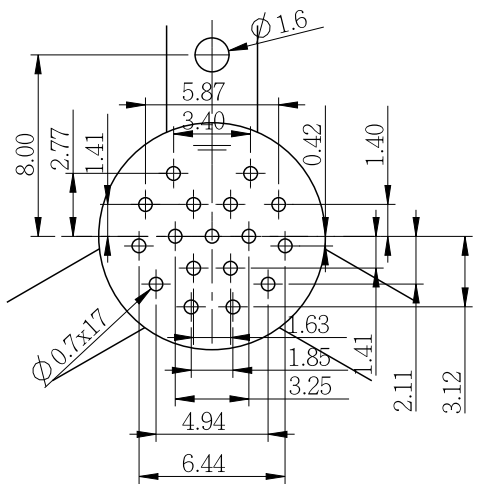


THIS DOCUMENT IS SUBJECT TO CHANGE WITHOUT NOTICE. IT IS CONFIDENTIAL AND A PROPERTY OF AMPHENOL LTW. DISCLOSE TO THIRD PARTY HAS TO BE AUTHORIZED BY AMPHENOL LTW.

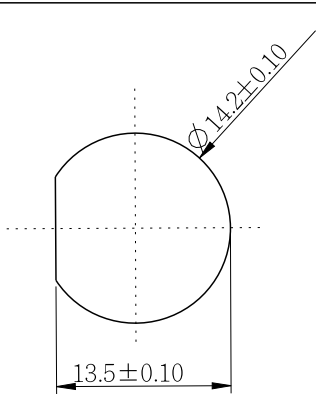
REV.	ECN NO.	DATE	SIGN	DESCRIPTION
A		2020/10/27	Victor Hung	04 To A



Front View  
Pin Layout



Recommended  
PCB Layout



Recommend  
Panel Cut Out

- Note:
- \* **Important Dimension To Check**
  - \* Waterproof Rate: IP68, Unmated.  
In 1 meter water within 24 hours
  - \* Housing: Thermoplastic, Black.
  - \* Pin: Copper Alloy, Gold Plated.
  - \* Nut: Thermoplastic, Blck.
  - \* O-Ring: Rubber, Gray.
  - \* Use Without Waterproof Cap  
Panel Thickness Max: 4.0mm
  - \* Use With Waterproof Cap  
Panel Thickness Max: 3.0mm
  - \* For PCB Thickness Max. 2.0mm
  - \* Nut are packed separately in Zipper bags.

UNIT:mm		
TOLERANCE		
.X ±0.25		
.XX ±0.1		
.XXX ±0.05		
ANGLES ±1°		

TITLE XLOK, A-1.5A, 17P, FRONT FASTENED M, M, PCB S, PUSH LOCK		
SCALE 1:1	SIZE A4	SHEET 1 1 OF
REV. A	WC-REV. .0	Inspection item

**Amphenol LTW**  
安費諾亮泰企業股份有限公司

ITEM NO. AZ-17PMMP-QC8001	DRAWN BY Victor Hung	DATE 2020/10/27
DWG NO. AZ-17PMMP-QC8001	CHECKED BY Aric Ko	DATE 2020/10/27
CUSTOMER ALTW	APPROVED BY Max Yang	DATE 2020/10/27