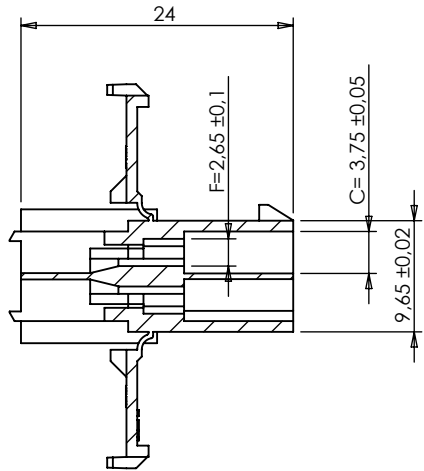
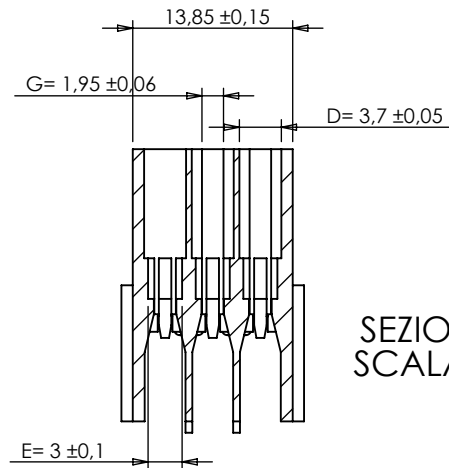
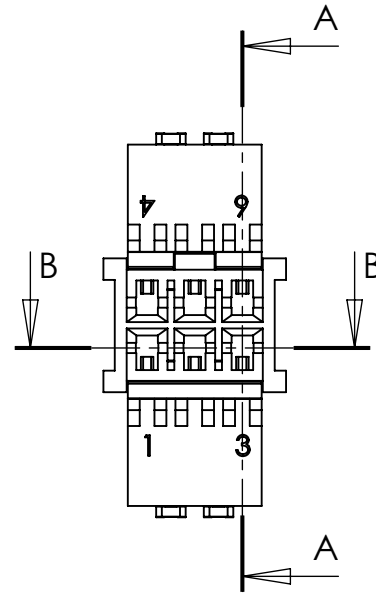


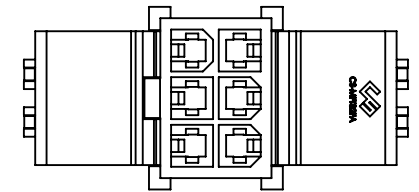
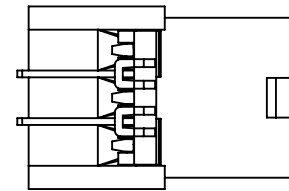
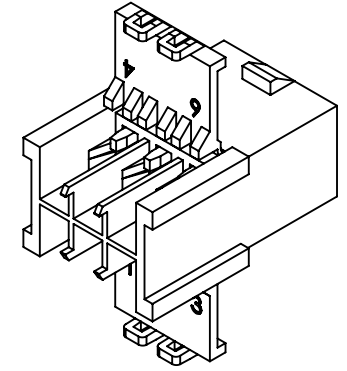
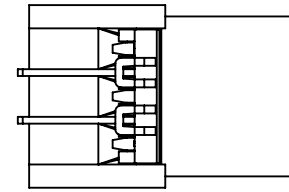
This drawing and all informations contained here can not be used or reproduced, integrity or partially, without written authorization by Colombo Sergio & Figli.



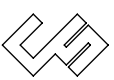
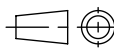
SEZIONE A-A
SCALA 1.5 : 1



SEZIONE B-B
SCALA 1.5 : 1



DIMENSIONS WITHOUT TOLERANCES		CS-MFT32FV0	PA66/66 UL94 V-0
∠ ±2°	0 - 6	±0.1	CS-MFT32FV0750NF
	6 - 30	±0.2	PA66 UL94 V-0 GWIT 775
	> 30	±0.3	CS-MFT32F-G
		PART NUMBER	MATERIAL

INDEX	MODIFICATION	DATE
 COLOMBO SERGIO e Figli S.r.l. 20063 CERNUSCO S/N - VIA COMO, 11 TEL +39.02.9210.7404 - FAX +39.02.9210.0217 http://www.cscolombo.com - e-mail: info@cscolombo.com		
CHECKED BY Stefano Galimberti		DATE 18-04-2012
DRAWN BY Stefano Querzoli		DATE 18-04-2012
SCALE 1.5:1	CAD REFER Y:\dis\cs\mft\mftxxf\mftxxfa\tavole\	DESIGN UNITS METRIC
BASE CODE CS-MFT32F	DESCRIPTION MFT FEMALE CONNECTOR FOR PANEL, 3X2 POLES	WEIGHT
		INDEX 0 18-04-2012

E

D

C

B

A

1

1

2

2

3

3

4

4