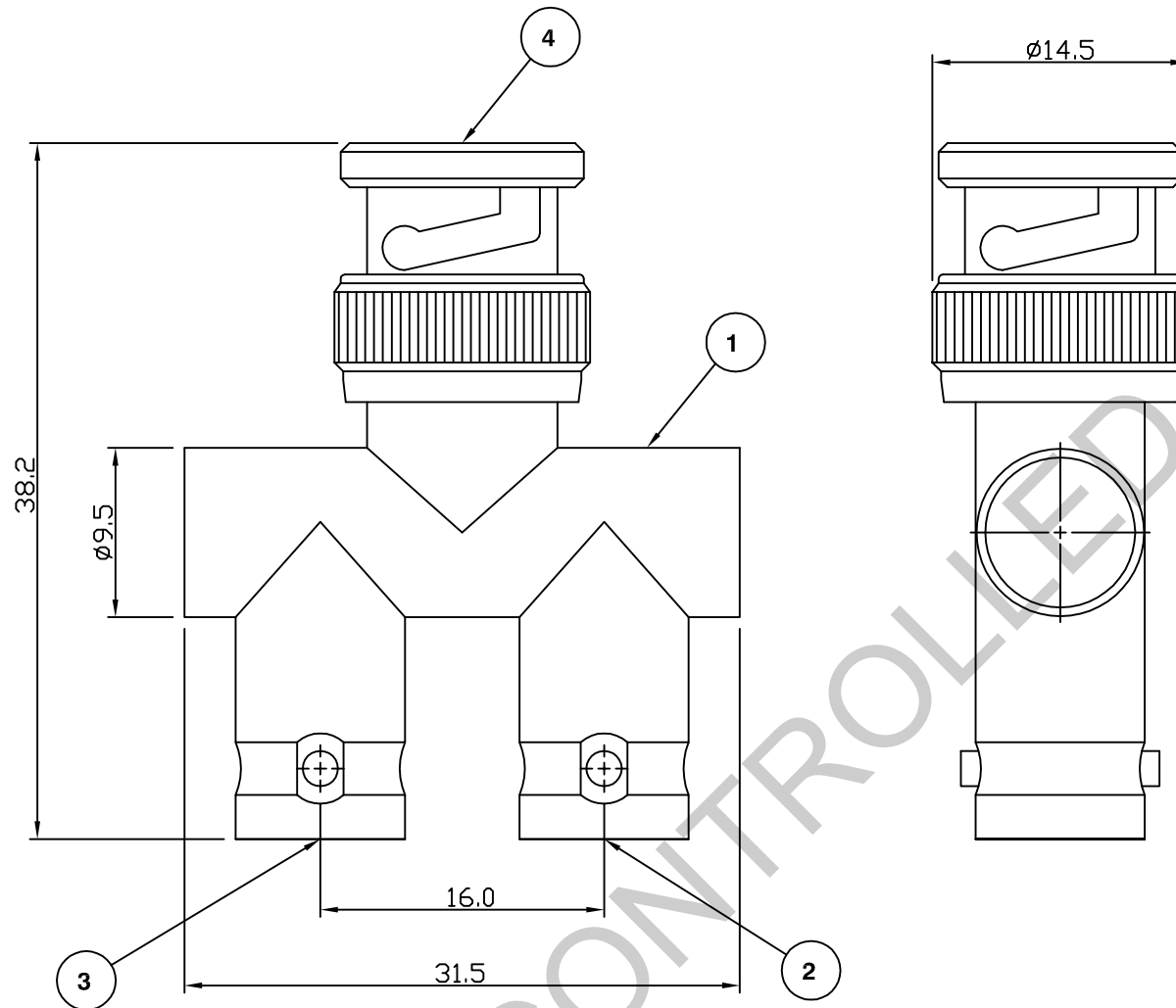


RoHS COMPLIANT



**Electrical Characteristics**

Nominal Impedance:	50 ohms
Frequency Range:	DC to 1 GHz
Operating Voltage (rms):	500 V maximum at sea level
Dielectric Withstand Voltage (rms):	1500 V maximum at sea level
Contact Resistance:	3.0 milliohms maximum
Insulation Resistance:	5000 megohms minimum

**Mechanical Characteristics**

Mating Cycles:	500 cycles minimum
Interface Dimensions:	Conform to MIL-C-39012

**Environmental Characteristics**

Temperature Range:	-65 °C to +165 °C
--------------------	-------------------

PART	DESCRIPTION
1	Body Zinc Alloy, nickel plated
2	Dielectric Polypropylene UL 94HB
3	Female Contact Copper, gold plated
4	Male Contact Brass, gold plated

CAD Issue	SN	2	16 Aug 02
First Issue	BM	1	03 Jun 93
DESCRIPTION OF REVISION	APPVD	ISS	DATE



**Cinch Connectivity Solutions**  
 7-13 Russel Way,  
 Widford Industrial Estate,  
 Chelmsford, Essex,  
 CM1 3AA, UK.  
 Tel: +44 (0) 1245 359515  
 Fax: +44 (0) 1245 358938

SCALE: Not To Scale

DIMENSIONS: mm

TOLERANCES:  
 ± 0.2mm unless  
 otherwise stated

DRAWN BY:

S Nash

CHECKED BY:

P Couzens

APPROVED BY:

P Couzens

DATE:

16 Aug 02

TITLE:

**BNC Jack to BNC Jack to  
 BNC Plug Goalpost Style  
 Adaptor**

PART NUMBER:

**VBA111**

PAGE: 1 of 1