

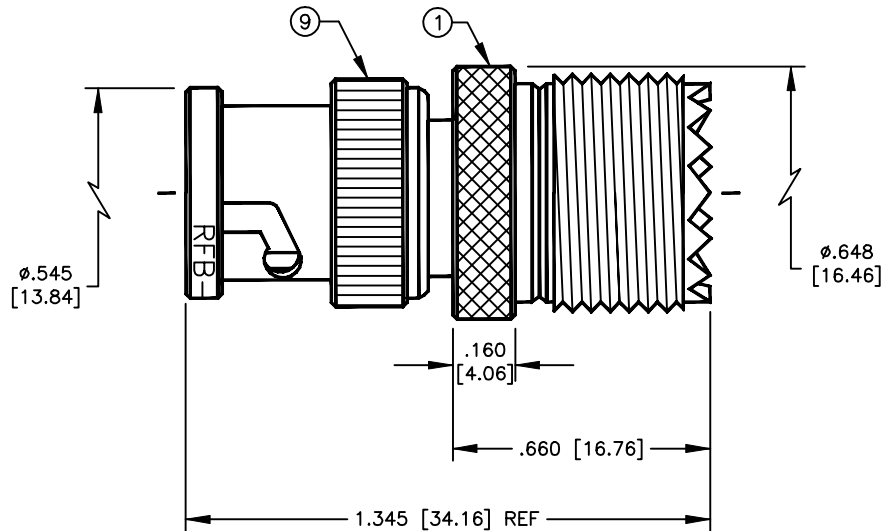
SPECIFICATION CONTROL DRAWING

THIS DRAWING CONTAINS INFORMATION PROPRIETARY TO RF INDUSTRIES, LTD. ANY UNAUTHORIZED USE OF THIS DRAWING IS EXPRESSLY PROHIBITED. ANY VIOLATION IS PUNISHABLE UNDER U.S. COPYRIGHT LAWS.

REV	DESCRIPTION	DWN	DATE	APPROVED
A	CHANGE PIN TO GOLD	CJ	3/25/92	J. BENZ
B	CHANGE PIN BACK TO SILVER / CREATE SECTION DRAWING	KMM	7/25/94	R. RICE
C	CHANGE BODY PLATING TO NICKEL	KMM	7/9/96	R. RICE
D	CONTACT IS NOW GOLD / ADD BODY OD DIM / UPDATE SPECS	CZS	7/14/98	R. RICE

ALL DIMENSIONS ARE REFERENCE ONLY

000000



SPECIFICATIONS:

IMPEDANCE: 50 OHMS
 WORKING VOLTAGE: 500 VRMS @ SEA LEVEL
 FREQUENCY RANGE: 0-300 MHz
 INTERFACE PER MIL-STD-348A, SECTION 301.1

DIMENSIONS ARE IN INCHES AND [MILLIMETERS]

UNLESS OTHERWISE NOTED TOLERANCES ARE:
 DECIMALS DIAMETER

ITEM	DESCRIPTION	QTY	MATERIAL	FINISH
9	SHELL	1	BRASS	NICKEL
8	WASHER	1	BRASS	NICKEL
7	SPRING	1	SK-5	NONE
6	SPLIT LOCK WASHER	1	BRASS	NICKEL
5	GASKET	1	S.I. RUBBER	RED
4	DIELECTRIC	1	DELTRIN	NONE
3	DIELECTRIC	1	DELTRIN	NONE
2	CONTACT	1	BRASS	GOLD
1	BODY	1	BRASS	NICKEL

DRAWN
C. ZUNIGA 7/14/98

CHECKED

ORJ DRAWN
S. SMITH 7/17/90

APPROVALS DATE

RFconnectors
 DIVISION OF RF INDUSTRIES, LTD.

7610 MIRAMAR RD
 SAN DIEGO, CA 92126
 (619)549-6340
 (619)549-6345 FAX

RFB-1136 \ UG255A/U

BNC MALE TO UHF FEMALE ADAPTER

SIZE	CABLE GROUP	DWG NO.	REV
A	N/A	7462	D

SCALE: 2:1 CAD FILE 13ARC B SHEET 1 OF 1