



A-MP ★ EXTRACTION TOOLS 91040-□  
FOR TYPE XV  
PIN AND SOCKET CONTACTS

<b>IS 7370</b>	
RELEASED	6-17-68
REVISED	4-14-70

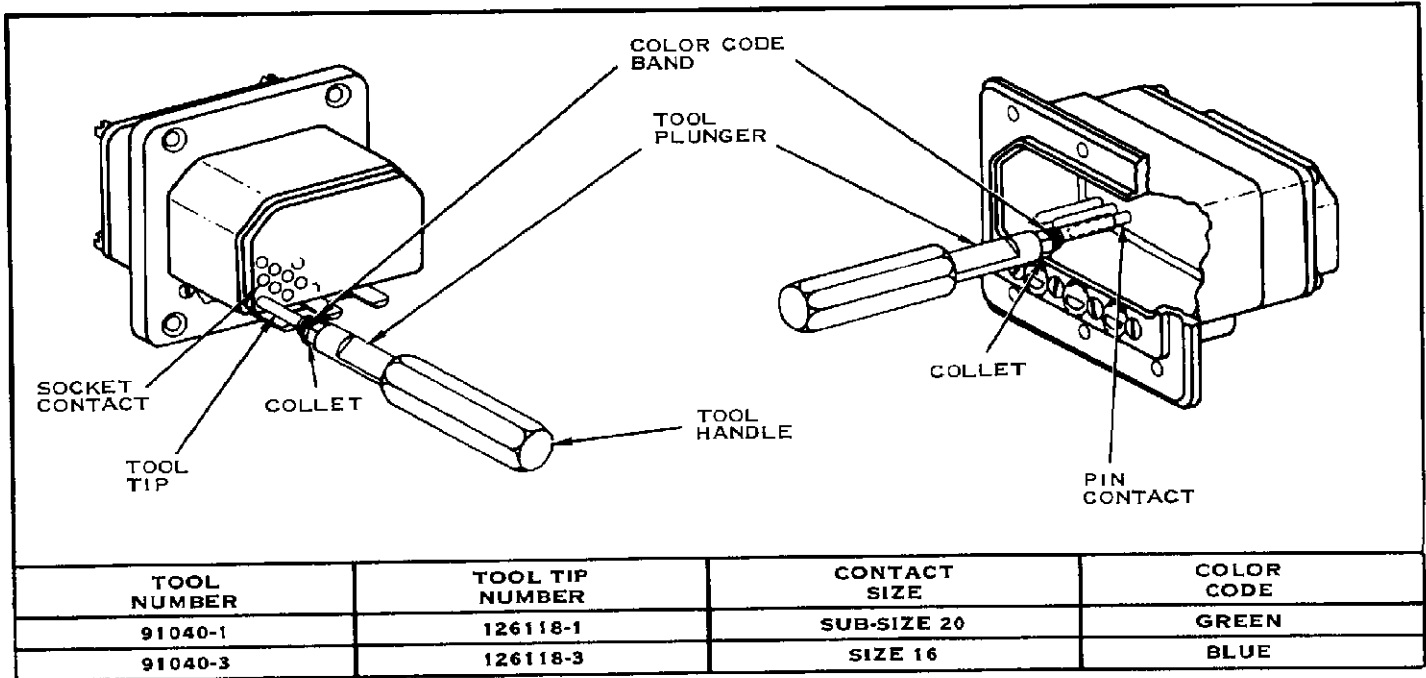


FIGURE 1

© 1968, 1970 by AMP Incorporated. All international rights reserved. A-MP products covered by U.S. and foreign patents and/or patents pending.

### 1. INTRODUCTION

These A-MP Extraction Tools are designed to remove Type XV Pin and Socket Contacts from AMP-INCERT ★ Rack and Panel Connectors. Each tool is Color Coded for easy identification.

### 2. CONTACT EXTRACTION

Determine the contact size to be removed, then use the tool dash number to select the proper tool.

Proceed as follows:

1. Place the Tool Tip over the end of the Pin Contact or into the cavity containing a Socket Contact. **MAKE CERTAIN THE TOOL IS CENTERED OVER THE CAVITY.**
2. Insert the Tool Tip into the cavity by pushing on the Tool Plunger. Be sure to hold the tool perpendicular to the cavity to prevent damage to the contacts.
3. Depress the Tool Handle and the Contact will back out of the cavity.

### 3. TOOL TIP REPLACEMENT

If the Tool Tip becomes damaged and requires replacement, order a new tip using the part number specified in the chart.

Proceed as follows:

1. Secure the Tool Plunger with a suitable clamp, then rotate the Tip Collet in a counterclockwise direction.

**CAUTION**

The Tool Springs and Contact Ejector will come out of the Handle when the Tip is removed.

2. Position the Contact Ejector and Springs in the Handle.
3. Slide the Tip Assembly over the Ejector Rod until the Collet rests on the Tool Plunger. Rotate the Collet Clockwise until the shoulder of the Collet bottoms on the Tool Plunger.