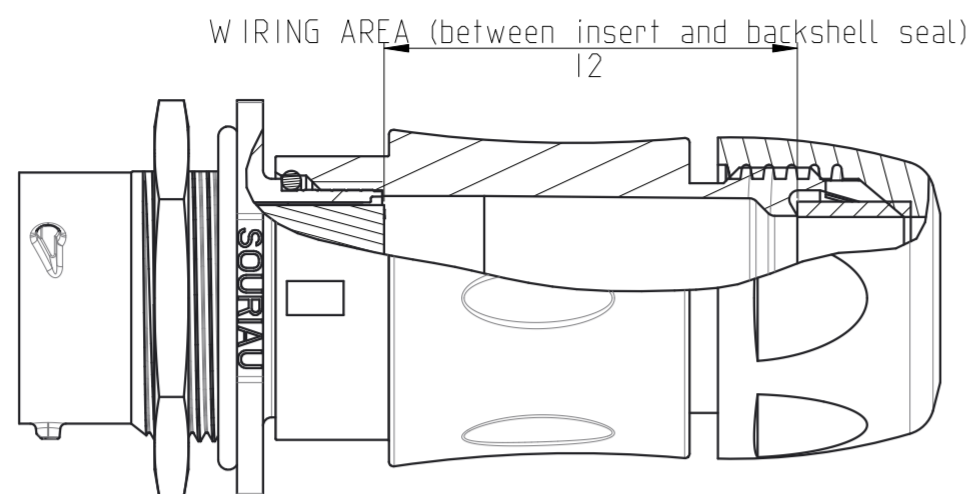
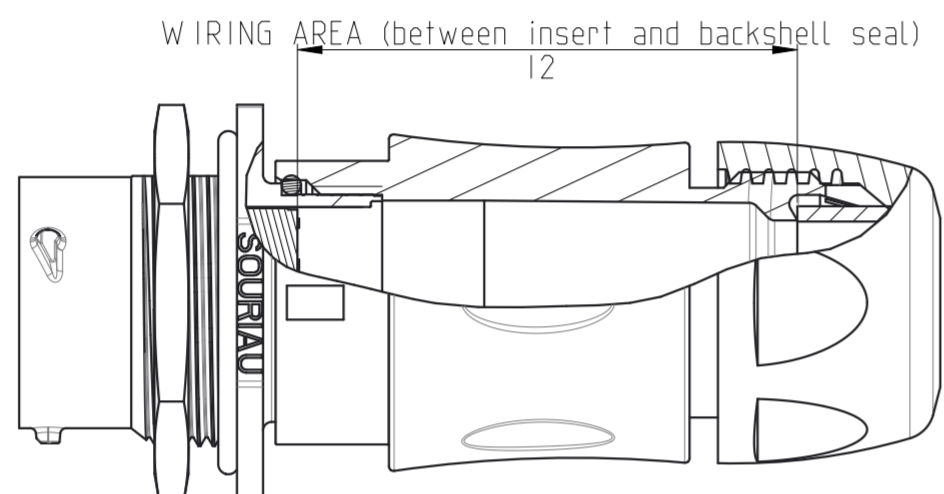


SIDE VIEW FOR EACH VERSION

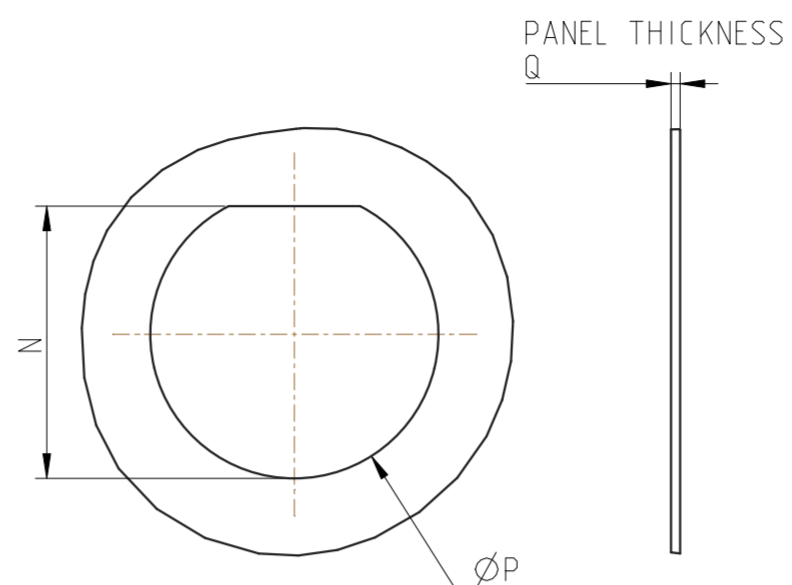
UTSX7JC-----P



UTSX7JC-----S



PANEL CUT OUT DEFINITION



MATERIAL :

- SHELL : PA UL94 V0, UL746C F1 Black color
- BACKSHELLS : PA UL94 V0 F1 Black color
- BACKSHELL Seal : CR
- INSERT (UTSX7JC-----) : PA UL94 V0, UL746C F1
- NUT : Aluminium alloy + Anodic oxidation
- O'RING : Nitril
- CONTACTS : brass + coated depending on P/N

PERFORMANCE CHARACTERISTICS :

Operating temperature: -40°C up to 105°C  
 Insulation resistance: 5000 MΩmin  
 Corrosion salt spray: 500 hours  
 Durability: 250 matings and unmatings  
 Sealing conditions: SEE TABLE

NOTA:

- Contact to be ordered separately for version UTSX7JC----- : refer to corresponding catalogue.
- Insert arrangement refer to:

UTX\_LAYOUT (Standard Version)

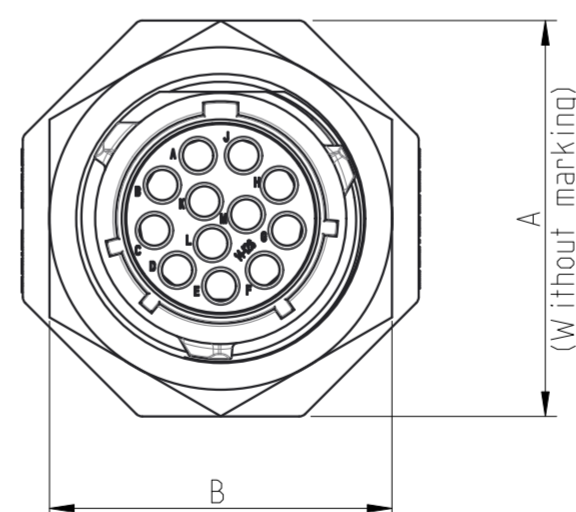
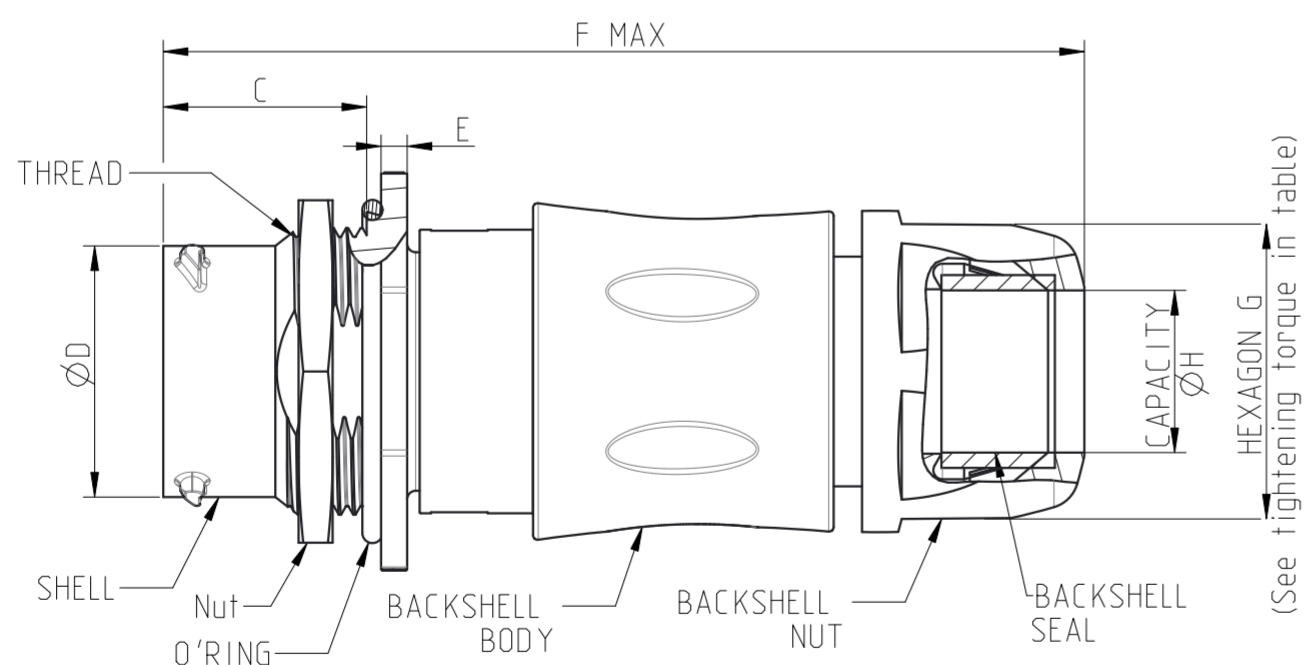
3- This part shall be used at the place of the standard seal to accomodate with different cable Ø

SHELL SIZE	PANEL CUT OUT DEFINITION		PANEL THICKNESS
	±0.15	±0.1	±2
10	ØP	N	q
12	17.9	16.6	3
14	22.7	21.3	
	25.9	24.4	

SEALING CONDITIONS

Sealing in MATED conditions with COUNTERPART:  
 -IP6x : No ingress of dust  
 -IPx8 1 bar during 1 week: immersion under 10 m of water. (IEC 60529)  
 -IPx9K : exposure to high pressure water of cleaning equipement(DIN 40050)

COMMON DIMENSIONS FOR ALL VERSION



Country	Jurisdiction & Control List
FR	NOT LISTED

SOURIAU shall not be liable for any non-conformity or damage due to a use of the Products which does not comply with the Specifications issued by either of the Parties or by a third party (professional recommendation, technical notice.)

P/N : CROSS REF TABLE

BASIC SERIES	UTSX 7 JC 14 19 P	* P/N for example
SHELL TYPE	7 Jam nut receptacle	
BACKSHELL	JC	Normal (no digit) W.X.Y.Z
SHELL SIZE	10 12 14	TYPE OF CONTACTS P: MALE S: FEMALE
TYPE OF LAYOUT	Standard layout (No digit)	INSERT ARRANGEMENT See NOTA 2

SHELL SIZE	±0.2	±0.2	MAX	±0.2	±0.3	MAX	HEXAGON backshell nut		STANDARD	REDUCING SEAL (NOTA.3)	MINI		UNEFC CLASS 2A
	A	B	C	ØD	E	F	G	Tightening torque (N.m)	ØH		11	12	THREAD
10	27.00	22.15	18.1	15.20	2.2	74.5	18.5	1	2.5 / 8	1.5 / 5	28	35.5	11/16 24
12	31.75	27.15		19.15		77.5	24	2	5 / 12	3 / 9	31.5	39.5	7/8 20
14	34.90	30.20		22.31		84	26	2.5	7 / 14	5 / 12	35.5	43.5	1"20

B	16/09/2021	Mass column deleted	25782C
---	------------	---------------------	--------

ISS	DATE	Latest modification - by:	Q.LECOMTE	MOD N°
-----	------	---------------------------	-----------	--------

Designed by:	J.GAMBIER	Date:	17/11/2020	CUSTOMER DRAWING
--------------	-----------	-------	------------	------------------

TITLE	JAM NUT RECEPTACLE WITH BACKSHELL - SIZE 10 12 & 14 - Standard version		
	CONNECTEUR UTSX		

Scale	3/2	Dimensions in mm General Linear Tolerances: ±0.2	NPRDS / PROJECT GBB
-------	-----	---	------------------------

	www.souriau.com	This document is the property of SOURIAU It must not be reproduced or communicated without permission
--	-----------------	--

FORMAT	A2	SOURIAU DRG N° UTSX-0012A-C	SHEET 1 / 1
--------	----	--------------------------------	----------------