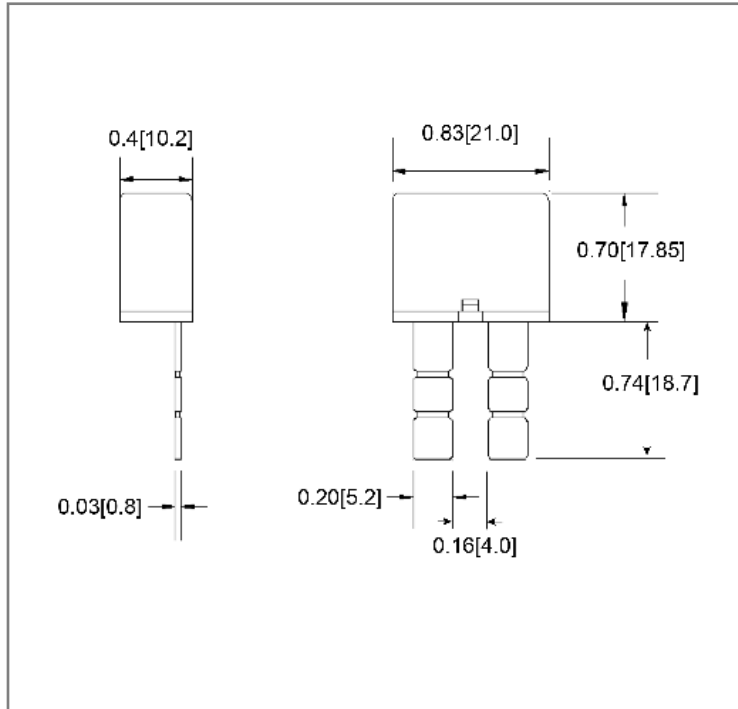


Universal Blade Style Circuit Breaker

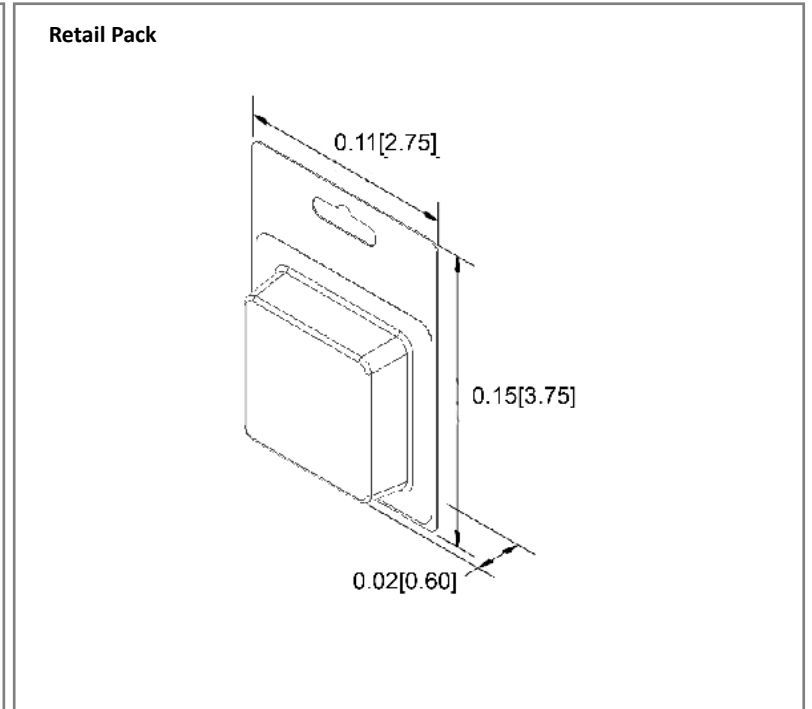
ACB2-PL



Mechanical Dimensions: Inches [mm]



Retail Pack: Inches [mm]



Part Numbers Information

Amperage	Bulk Part #	Retail Pack # Blister Card	Pack Size
10A	ACB2-PL-10A	ACB2-PL-10A-BP	1
15A	ACB2-PL-15A	ACB2-PL-15A-BP	1
20A	ACB2-PL-20A	ACB2-PL-20A-BP	1
25A	ACB2-PL-25A	ACB2-PL-25A-BP	1
30A	ACB2-PL-30A	ACB2-PL-30A-BP	1
35A	ACB2-PL-35A	ACB2-PL-35A-BP	1
40A	ACB2-PL-40A	ACB2-PL-40A-BP	1

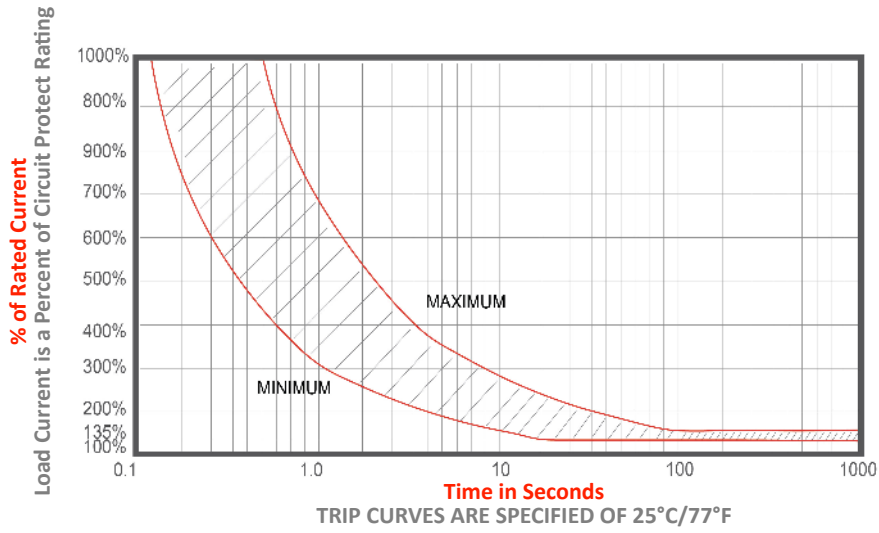
Electrical Specifications

Voltage Rating	12VDC
Reset Type	Type I - Auto Reset
Operation Temperature	-10°F ~ 150°F
Storage Temperature	-20° F ~ 200° F
Testing	SAE J553

Material Specifications

Universal Blade Style Circuit Breaker	
Body	Zinc plated Metal Cover

Time vs. Percent of Rated Current



Rev	Date of issue	Revision Notes	Designed	Approved
A	05-30-2023	Initial Drawing	RC	OF