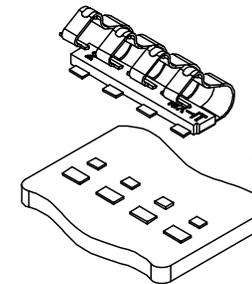
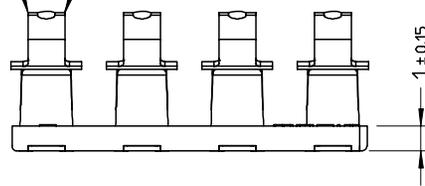
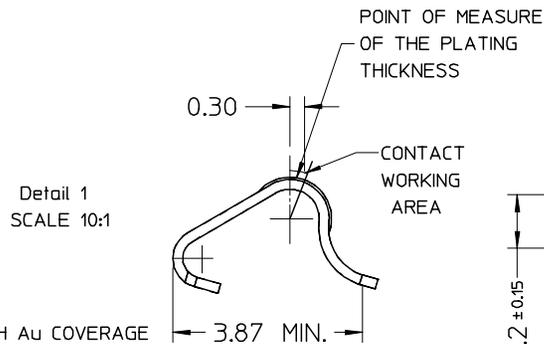
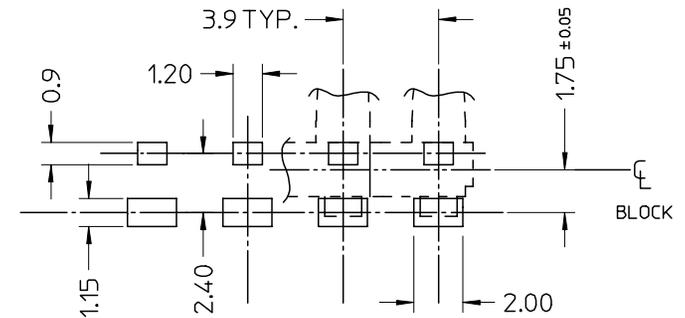


EDGES CONED
IN CONTACT AREA
(4 CONTACTS)

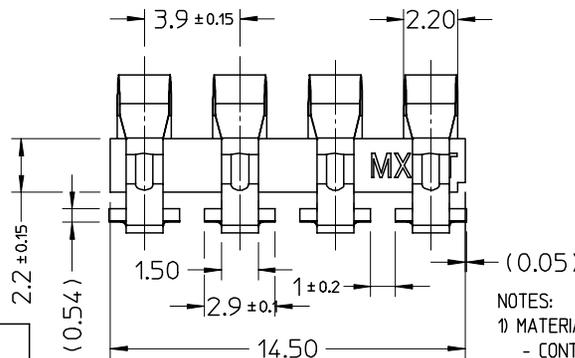
0.00
COPLANARITY
TO BE 0.10 MAX
FROM SETTINGS
PLANE (4 CONTACTS)



RECOMMENDED PCB LAY-OUT
AND PART POSITIONING ONTO THE PCB



AREA WITH Au COVERAGE



NOTES:

1) MATERIALS:

- CONTACT: BeCu ALLOY 0.20 mm THICK
- HOUSING: BLACK PA 46

2) PLATING: 1.3-3.8um Ni OVERALL

- CONTACT WORKING AREA: 0.7-1.15 um Au - OVER 1.0-3.1um PdNi
- SOLDER TAIL: 4.0-7.5 um MIN Sn

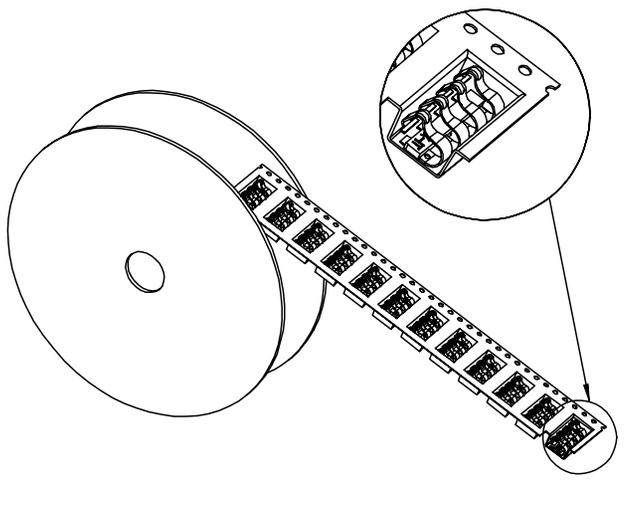
3) PACKAGING: TAPE & REEL (900 PCS/REEL - 5 REELS/BOX), 4500 PCS/BOX (STD. PACK QUANTITY)

4) PRODUCT CHARACTERISTICS ACCORDING TO PS-94337-005

5) DIMENSIONS IN BRACKETS (...) ARE FOR REFERENCE ONLY

6) THE POSITION OF THE SLOT AND THE ORIENTATION OF THE MARKINGS AREA CAN VARY ACCORDING TO THE MOLD CAVITIES.

STD. DESCR.: BATTERY CONN 5.7 HEIGHT 4 CKT



EC NO: Z2006-0200 DRWN: SBARBIER 2006/05/24 CHKD: RSANDANQ 2006/05/24 APPR: FBISELLO 2006/05/24	QUALITY SYMBOLS	GENERAL TOLERANCES (UNLESS SPECIFIED)		SCALE 5:1	DESIGN UNITS METRIC	FIRST ANGLE PROJECTION	REVISE ON CAD ONLY	
	▲ - 0 ▽ - 0		mm	INCH	DIMENSION STYLE MM ONLY		TITLE 4 CKT BATTERY CONNECTOR	
		4 PLACES	± ---	± ---	DRAWN BY SBARBIER	DATE 02-02-06	MOLEX INCORPORATED	
		3 PLACES	± ---	± ---	CHECKED BY MTESTAGU	DATE 02-02-07		
2 PLACES	± 0.13	± ---	APPROVED BY RMARTUCC	DATE 02-02-07	MATERIAL NO. 94337-5014	DOCUMENT NO. SD-94337-001	SHEET NO. 1 OF 1	
	1 PLACE	± 0.3	± ---	DRAFT WHERE APPLICABLE MUST REMAIN WITHIN DIMENSIONS		THIS DRAWING CONTAINS INFORMATION THAT IS PROPRIETARY TO MOLEX INCORPORATED AND SHOULD NOT BE USED WITHOUT WRITTEN PERMISSION		
							A3	