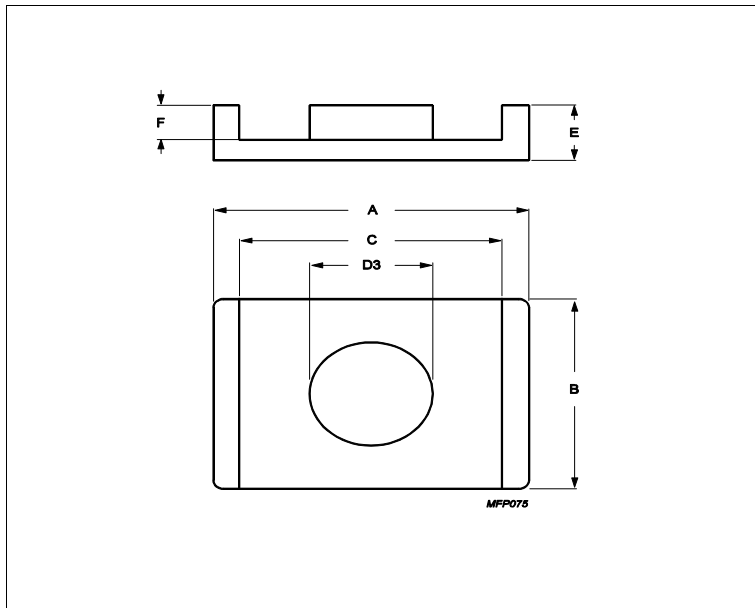


## Core **ER51/10/38**



Effective parameters			
	Parameter	Value	Unit
$\Sigma(I/A)$	core factor (C1)	0.209	mm <sup>-1</sup>
<b>Ve</b>	effective volume	25800	mm <sup>3</sup>
<b>Le</b>	effective length	73.5	mm
<b>Ae</b>	effective area	351	mm <sup>2</sup>
<b>Amin</b>	minimum area	314	mm <sup>2</sup>
<b>m</b>	ER51/10/38	≈ 74.7	g/pcs

**Dimensions for product: ER51/10/38**

	Nom	Tol +	Tol -	Max	Min	Unit
<b>A</b>	51.00	1.00	1.00	52.00	50.00	mm
<b>B</b>	38.10	0.70	0.70	38.80	37.40	mm
<b>C</b>	41.80	0.80	0.80	42.60	41.00	mm
<b>D3</b>	20.00	0.40	0.40	20.40	19.60	mm
<b>E</b>	10.16	0.15	0.15	10.31	10.01	mm
<b>F</b>	4.95	0.15	0.15	5.10	4.80	mm

**Inductance factor**

Material	Value	Tol +	Tol -	Unit
3C92	8100	25%	25%	nH/turns <sup>2</sup>
3C95	13000	25%	25%	nH/turns <sup>2</sup>
3C96	9700	25%	25%	nH/turns <sup>2</sup>
3C97	13000	25%	25%	nH/turns <sup>2</sup>
3F36	6500	25%	25%	nH/turns <sup>2</sup>
3F4	4800	25%	25%	nH/turns <sup>2</sup>

**Power loss: 3C92**

Measuring conditions			Max	Unit
100 kHz	200 mT	100 °C	13.000	W/set

**Power loss: 3C95**

Measuring conditions			Max	Unit
100 kHz	200 mT	100 °C	12.000	W/set
100 kHz	200 mT	25 °C	13.000	W/set

## Core **ER51/10/38**

Power loss: 3C96				
Measuring conditions			Max	Unit
100 kHz	200 mT	100 °C	12.000	W/set
400 kHz	50 mT	100 °C	5.000	W/set
Power loss: 3C97				
Measuring conditions			Max	Unit
100 kHz	200 mT	60 °C	13.000	W/set
100 kHz	200 mT	120 °C	12.000	W/set
100 kHz	200 mT	140 °C	15.000	W/set
Power loss: 3F36				
Measuring conditions			Max	Unit
500 kHz	50 mT	100 °C	3.900	W/set
500 kHz	100 mT	100 °C	30.000	W/set
Power loss: 3F4				
Measuring conditions			Max	Unit
1000 kHz	30 mT	100 °C	7.700	W/set
3000 kHz	10 mT	100 °C	13.000	W/set

Bsat					
Measuring conditions			Material	Min	Unit
25 kHz	250 A/m	100 °C	3C92	370	mT
25 kHz	250 A/m	100 °C	3C95	330	mT
25 kHz	250 A/m	100 °C	3C96	340	mT
25 kHz	250 A/m	100 °C	3C97	330	mT
25 kHz	250 A/m	100 °C	3F36	340	mT
25 kHz	250 A/m	100 °C	3F4	330	mT