

4

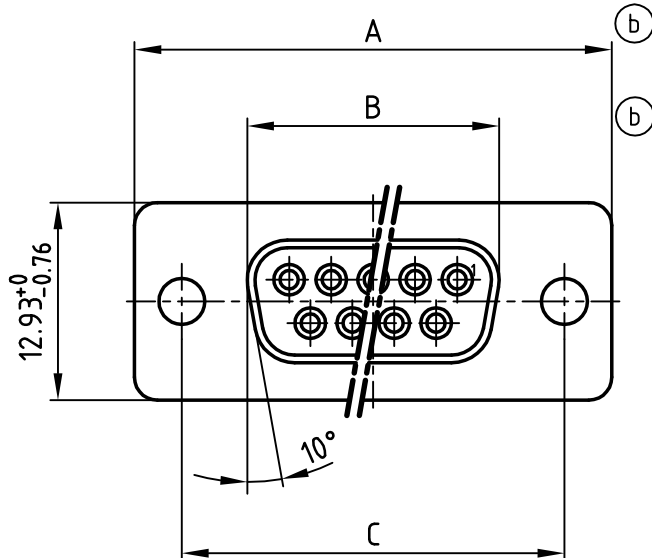
3

2

1

used for: D-SUB

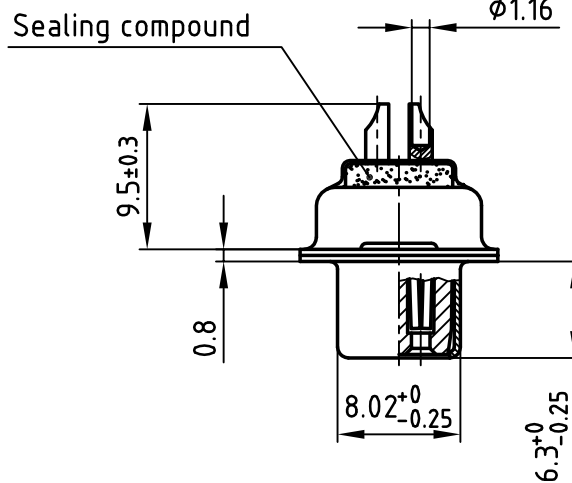
POS.	A -0.76	B -0.25	C	PART-NO.
9	31.19	16.46	25.00 $^{+0.12}_{-0.13}$	4STD09SCM99A10X
15	39.52	24.79	33.30 $^{+0.15}_{-0.1}$	4STD15SCM99A10X
25	53.42	38.50	47.04 ± 0.13	4STD25SCM99A10X
37	69.70	54.96	63.50 ± 0.13	4STD37SCM99A10X



(b)

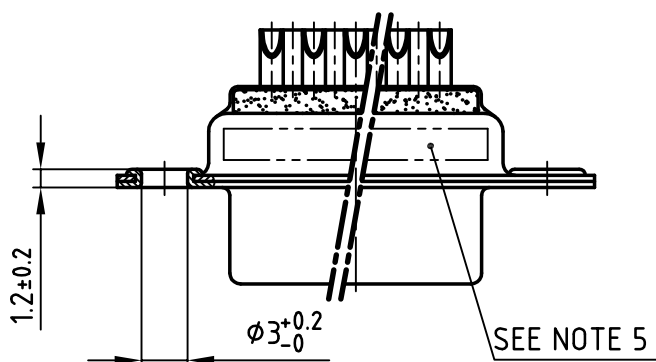
(b)

D



D

C



SEE NOTE 5

C

Directive 2002/95 EC
-RoHS-
Compliant

(b) NOTES:

- METALSHELLS: COPPER ALLOY; min. 320µin TIN
- INSULATORS: PBT GF UL 94 V-0, BLACK
- CONTACTS: COPPER ALLOY
SOLDER CUP ACCEPTS CABLE AWG 20
- PLATING: min. 30µin HARD GOLD OVER min. 50µin NICKEL
- CONNECTOR IS PART MARKED: PART-NO. CONEC ABC

APPROVAL # FREIGABE # DEBLOCAGE # AUTORIZACION # APPROVAL	
CUSTOMER APPROVAL DATE:	
NAME:	TITLE:
COMPANY NAME:	
APPROVAL # FREIGABE # DEBLOCAGE # AUTORIZACION # APPROVAL	

THIS DRAWING MAY NOT BE COPIED OR REPRODUCED IN ANY WAY, AND MAY NOT BE PASSED ON TO A THIRD PARTY WITHOUT WRITTEN PERMISSION.
OWNERSHIP AND COPYRIGHT OF CONEC GmbH
DO NOT ALTER CAD DRAWING BY HAND

rev.	description	date	name
3 x b	Ä 3045	25.06.2008	Petker
a	Origin		

tolerance		scale:	2:1
	dim. in mm	material:	SEE NOTES
1999	date	name	title:
drawn	26.04.	Barcinski	D-SUB FEMALE SOLDER CUP 9-37pos. for watertight hood
appd.	26.04.	Mickenbecker	
norm	DIN 41652		
d-old			dwg no: AutoCAD 2000
			DIN-A
			4
part no: SEE TABLE			sh: 1/1

4

3

2

1

A

A