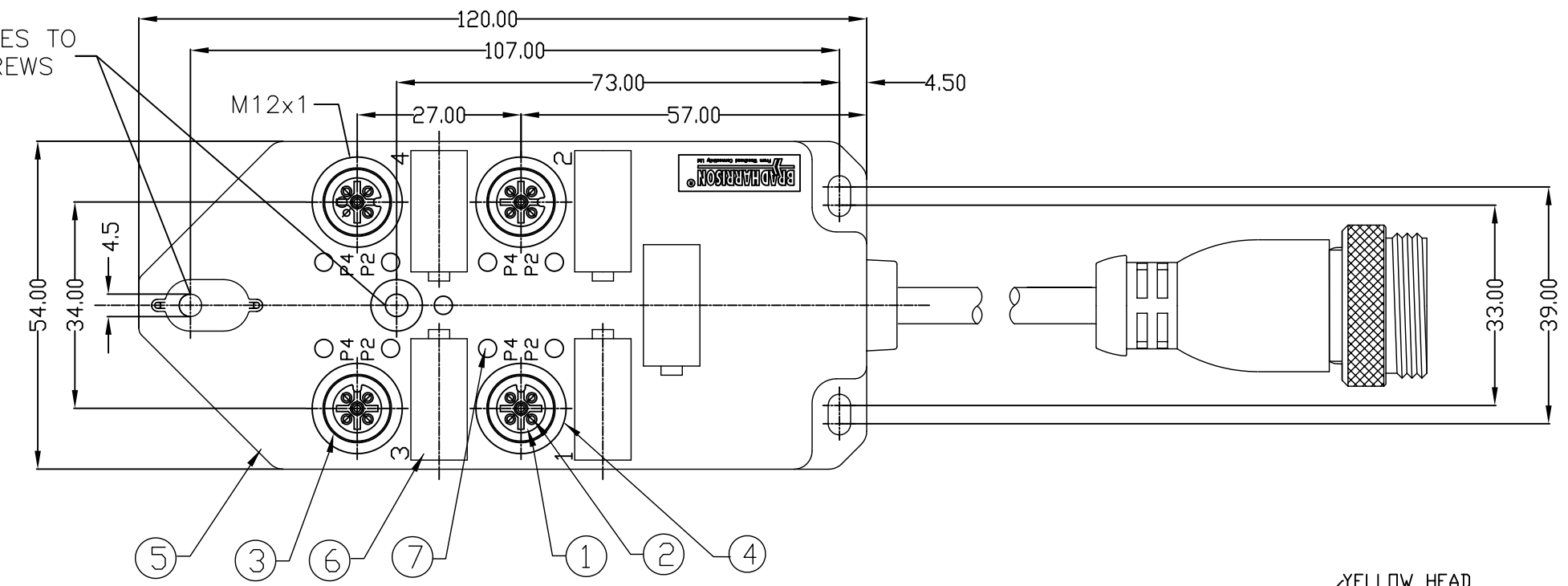
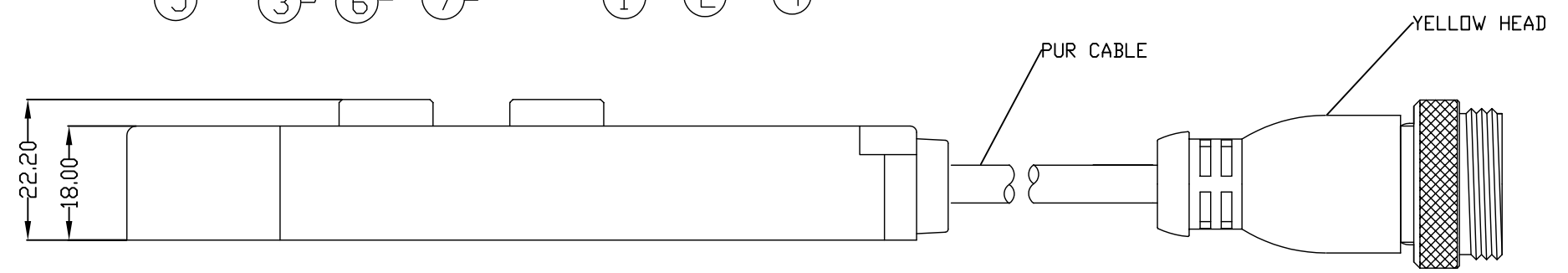
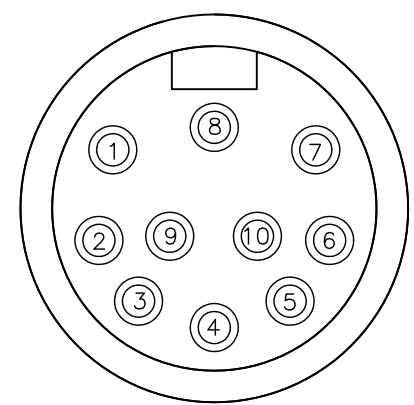


2x FIXING HOLES TO SUIT M4 SCREWS



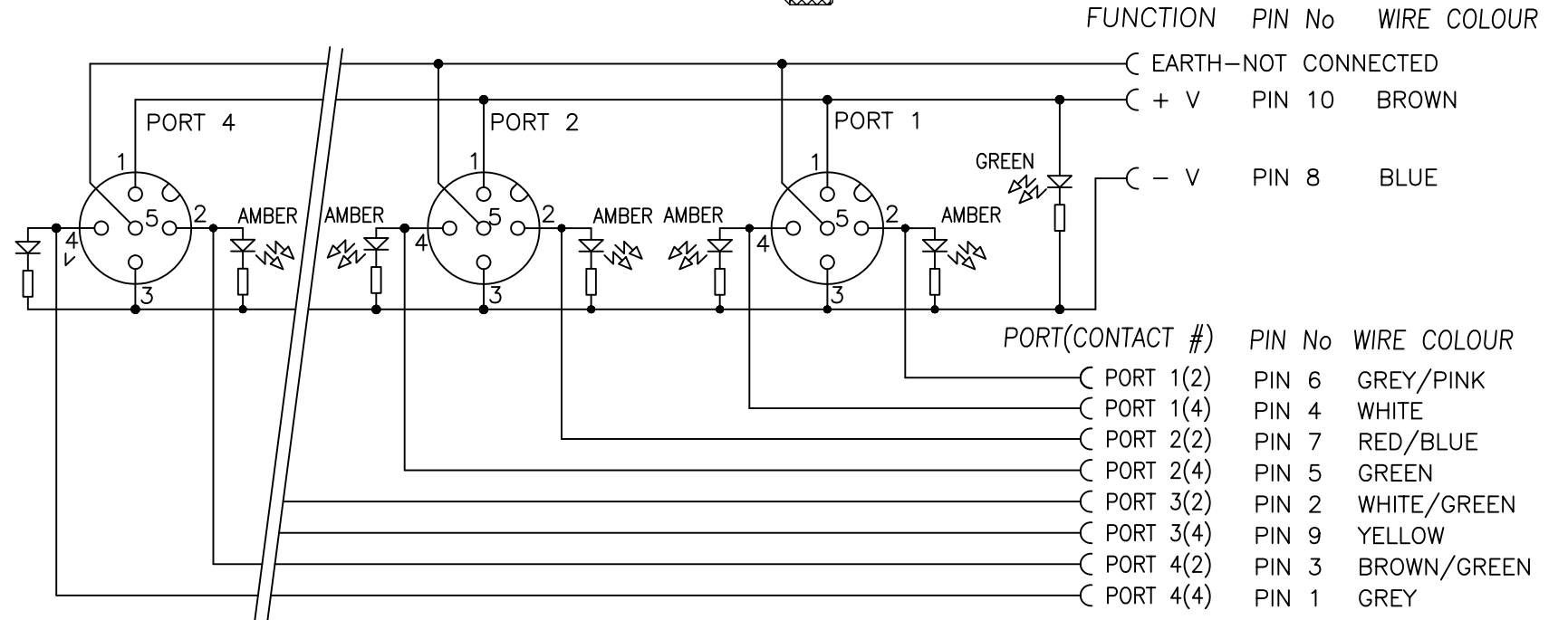
NOTE  
FACE VIEW  
ON CONNECTOR



MATERIAL NUMBER	OLD PART NUMBER	FINISHED LENGTH	CABLE JACKET MATERIAL
1201140051	BTY493P-FBP-003	0.3M +Toleranz	PUR

VOLTAGE RATING	10-30 VDC
AMPERAGE RATING PER PORT	4 AMPS
PROTECTION	IP67
OPERATING TEMPERATURE	-20°C TO 90°C
UL CERTIFICATIONS	UL RECOGNIZED, FILE NO. E46237
CSA CERTIFICATIONS	CSA CERTIFIED, FILE NO. LR6837

ITEM	COMPONENT	MATERIAL	FINISH
1	INSERT	NYLON	BLACK
2	CONTACT SOCKET	COPPER ALLOY	GOLD OVER NICKEL
3	O-RING	NITRILE	RED
4	RECEPTACLE SHELL	BRASS	NICKEL PLATED
5	HOUSING	PBT	YELLOW
6	LABEL	ABS	WHITE
7	LENS	NYLON	CLEAR



DESCRIPTION EC NO: WEU2010-0423 DRWN: LSTEMMLE 2010/03/12 CHKD: NSTAUDIG APPR: NSTAUDIG 2010/03/16	QUALITY SYMBOLS	GENERAL TOLERANCES (UNLESS SPECIFIED) mm INCH 4 PLACES ±--- ±--- 3 PLACES ±--- ±--- 2 PLACES ±--- ±.01 1 PLACE ±0.3 ±--- ANGULAR ± --- °	DIMENSION STYLE	SCALE	DESIGN UNITS	THIRD ANGLE PROJECTION
			MM ONLY	2:1	METRIC	
			DRAFT WHERE APPLICABLE MUST REMAIN WITHIN DIMENSIONS	DRAWN BY DATE LSTEMMLE 2010/03/12 CHECKED BY DATE FP 2010/03/15 APPROVED BY DATE NSTAUDIG 2010/03/15	MICRO-CHANGE MPIS 4 PORT PNP TWIN PORT 5P 10P-MM MOLDED CON.	
	1	REV	SEE TABLE	MATERIAL NO. SD-120114-030 DOCUMENT NO.	SHEET NO. 1 OF 1	

SIZE A3 THIS DRAWING CONTAINS INFORMATION THAT IS PROPRIETARY TO MOLEX INCORPORATED AND SHOULD NOT BE USED WITHOUT WRITTEN PERMISSION