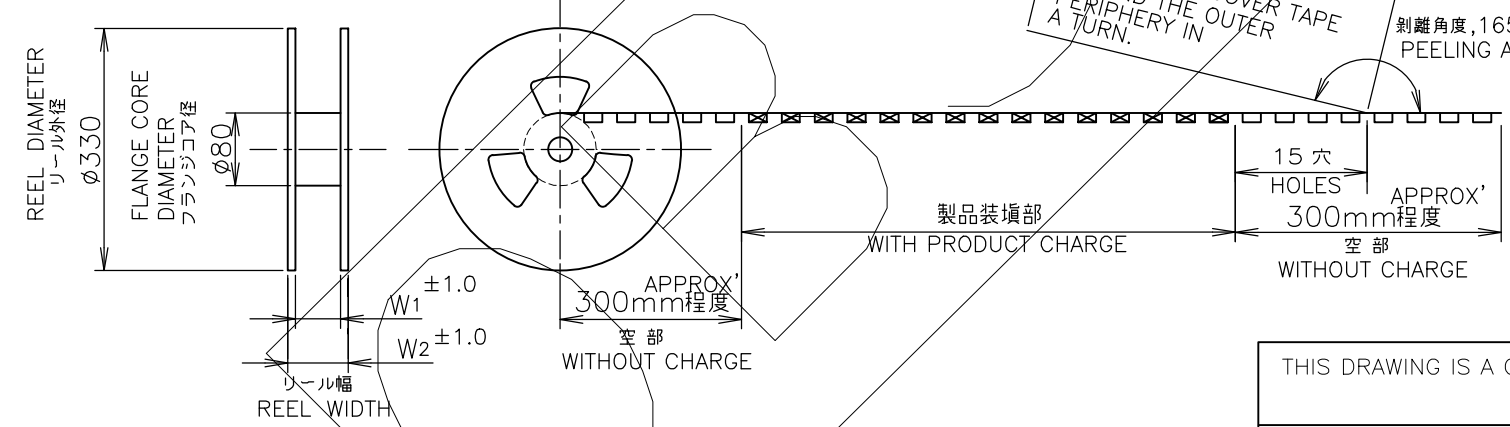
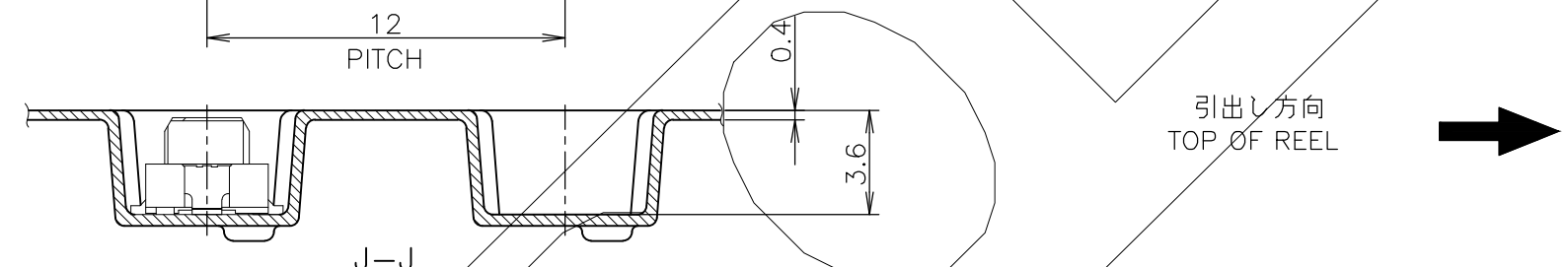
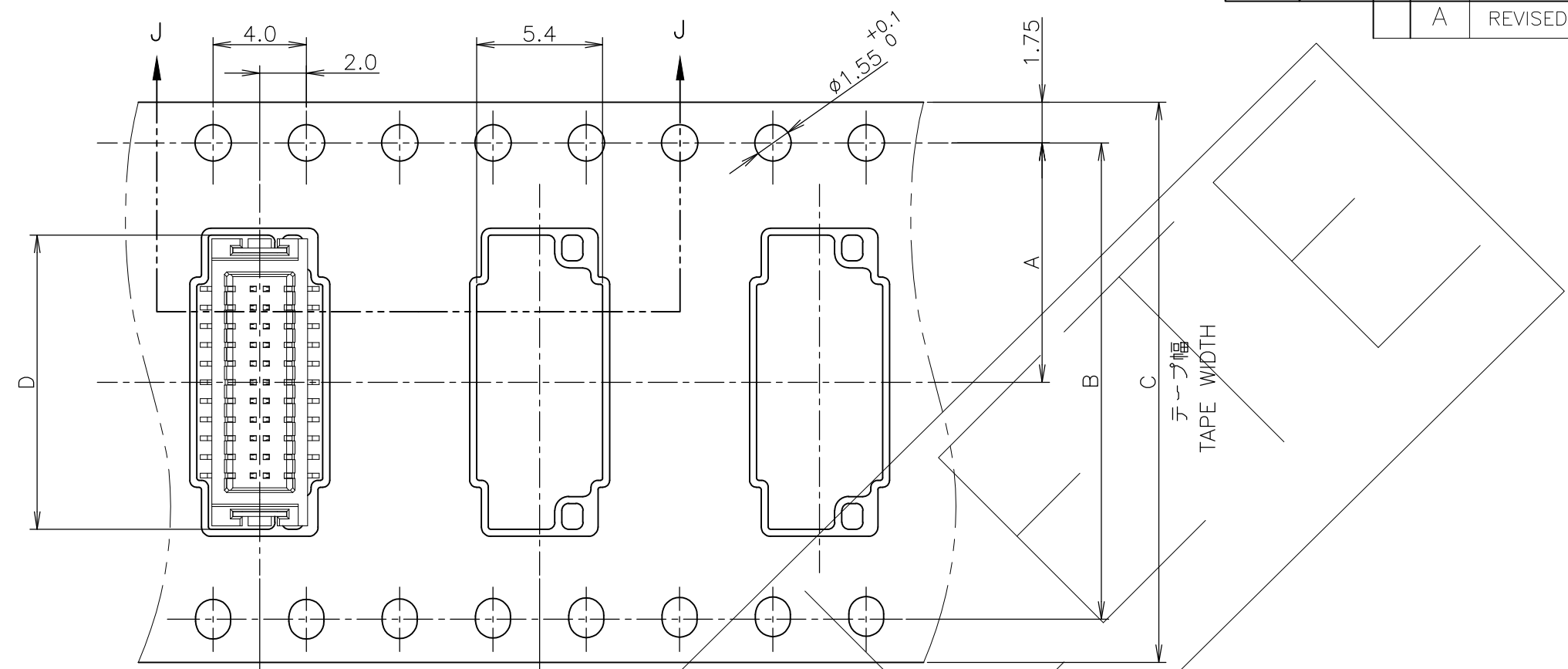


THIS DRAWING IS UNPUBLISHED. RELEASED FOR PUBLICATION . DEC 2004
 © COPYRIGHT 2004 BY TYCO ELECTRONICS CORPORATION. ALL RIGHTS RESERVED.

LOC	DIST	REVISIONS					
J	/	P	LTR	DESCRIPTION	DATE	DWN	APVD
		A		REVISED PER ECO-19-009987	28JUN2019	R.L	H.L



カバーテープ
リーダー部
外周一巻
WEEDING THE COVER TAPE
AROUND THE OUTER
PERIPHERY IN
A TURN.
剥離角度, 165°~180°
PEELING ANGLE.

48.7	45.5	23.8	44	40.4	20.2	1000	50	5-5316464-0
W ₂	W ₁	D	C	B	A	数量 (ヶ) QTY/REEL	極数 POS	リール巻 コネクタ型番 TAPING P/N

THIS DRAWING IS A CONTROLLED DOCUMENT.

DWN	M.IWASAKI	27DEC04		Tyco Electronics AMP K.K. Kawasaki, Japan
CHK	Y.NAKAZAWA	27DEC04		
APVD	T.KUSUHARA	27DEC04		
PRODUCT SPEC	製品規格			ON TAPING EMBOSS 0.8mm PITCH FINE MATE CONN RECEPTACLE ASSEMBLY WITH BOSS
APPLICATION SPEC	取付適用規格			
WEIGHT	SIZE	CAGE CODE	DRAWING NO	RESTRICTED TO
	A3	00779	C-5316464	

CUSTOMER DRAWING

SCALE 4:1 SHEET 1 OF 2 REV A

GENERAL TOLERANCE
一般公差

10 ≥ : ±0.2
 30 ≥ > 10: ±0.25
 100 ≥ > 30: ±0.3
 ANGLES: ±3°

DIMENSIONS: 単位: 耗 mm	TOLERANCES UNLESS OTHERWISE SPECIFIED: 一般公差
	0 PLC ± 1 PLC ± 2 PLC ± 3 PLC ± 4 PLC ± ANGLES ±
MATERIAL 材料	FINISH 仕上

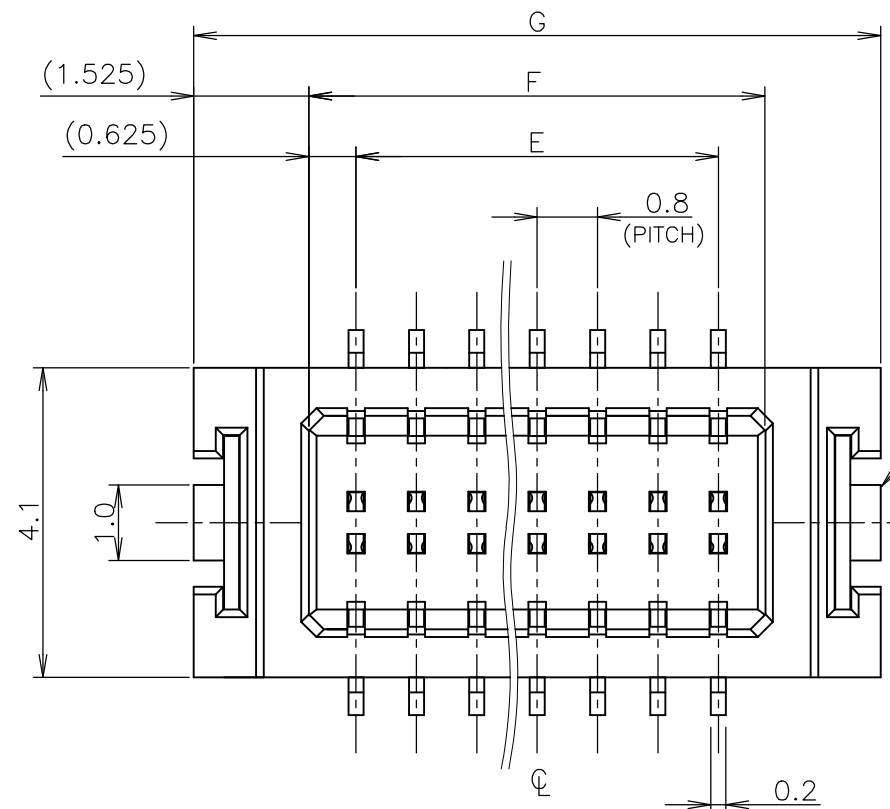
THIS DRAWING IS UNPUBLISHED. RELEASED FOR PUBLICATION .DEC 2004

© COPYRIGHT 2004 BY TYCO ELECTRONICS CORPORATION. ALL RIGHTS RESERVED.

LOC J DIST

REVISIONS			DATE	DWN	APVD
P	LTR	DESCRIPTION			
		SEE SHEET 1	-	-	-

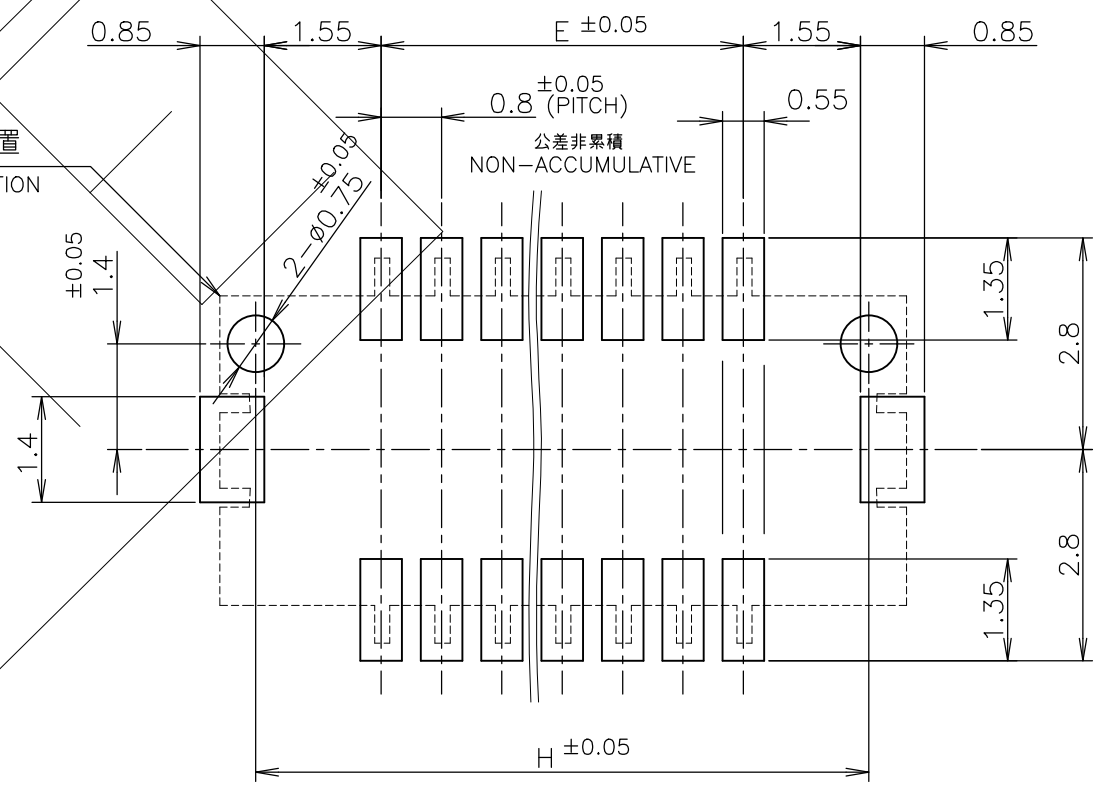
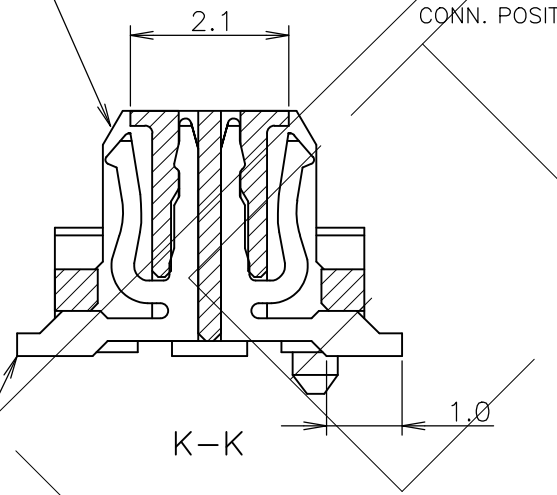
本図: コネクタ図
AS SHOWN: CONNECTOR DWG



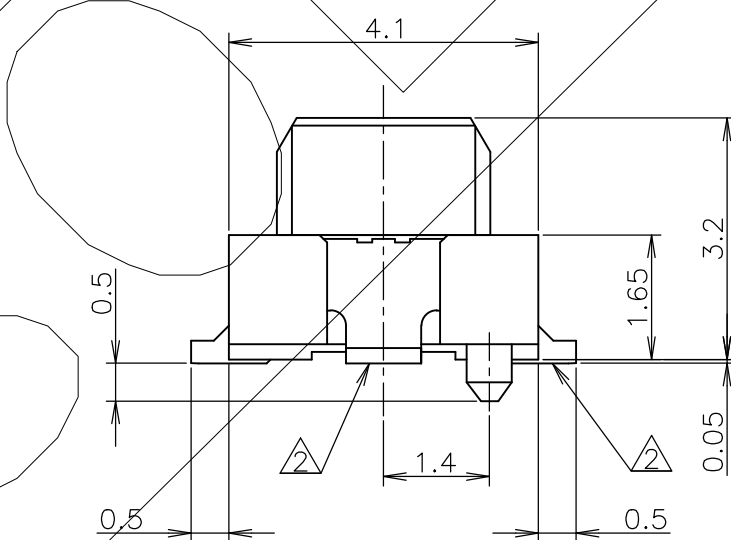
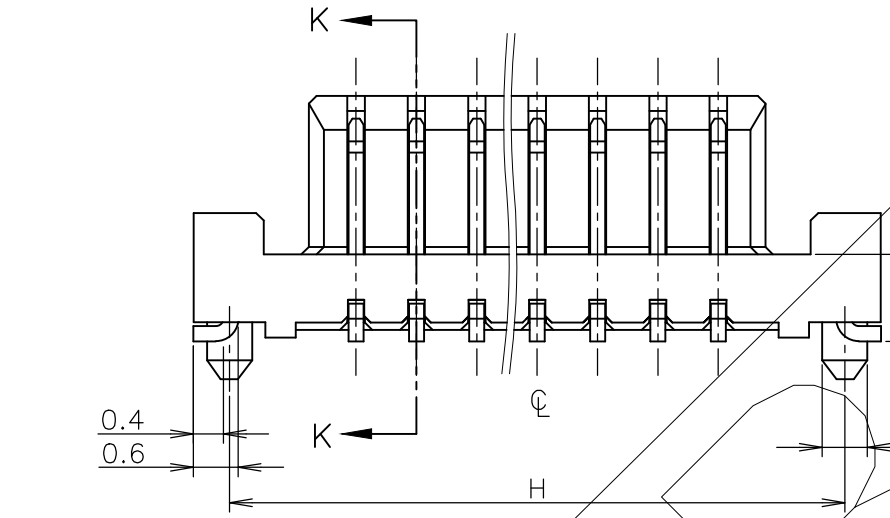
リセプタクルハウジング
RECEPTACLE HOUSING

テールプレート
TAIL PLATE

リセプタクルコンタクト
RECEPTACLE CONTACT



参考基板加工寸法
REFERENCE P.C BOARD LAYOUT



- 1 材料: リセプタクルハウジング: 46ナイロン (耐熱性樹脂)
- リセプタクルコンタクト: 銅合金 (t=0.2mm) 金めっき
- テールプレート: 銅合金 (t=0.2mm) 錫めっき

△ 全てのタイン部及びテールプレートのバラツキは 0.1mm MAX.

- 1 MATERIAL
- REC HOUSING: 46 NYLON (HIGH HEAT-RESISTED RESIN)
- REC CONTACT: COPPER-ALLOY (t=0.2mm) Au PLATING
- TAIL PLATE: COPPER-ALLOY (t=0.2mm) POST TIN PLATING

△ MISALIGNMENT BETWEEN TAINS AND TAIL PLATE: 0.1mm MAX.

GENERAL TOLERANCE 一般公差	
10 ≥	±0.2
30 ≥ > 10	±0.25
100 ≥ > 30	±0.3
ANGLES: ±3°	

THIS DRAWING IS A CONTROLLED DOCUMENT.

DIMENSIONS: 単位: 耗 mm	TOLERANCES UNLESS OTHERWISE SPECIFIED: 一般公差
	0 PLC ±
	1 PLC ±
	2 PLC ±
	3 PLC ±
	4 PLC ±
ANGLES	±
MATERIAL 材料	FINISH 仕上

INSTRUCTION SHEET 取扱説明書	22.55	23.5	20.45	19.2	50	5-5316464-0
411-5808	H	G	F	E	極数 POS	型番 PART NO
DWN	tyco Tyco Electronics AMP K.K.					
CHK	Electronics Kawasaki, Japan					
APVD	NAME 名称					
PRODUCT SPEC 製品規格	ON TAPING EMBOSS 0.8mm PITCH FINE MATE CONN RECEPTACLE ASSEMBLY WITH BOSS					
APPLICATION SPEC 取付適用規格	SIZE	CAGE CODE	DRAWING NO 番号	RESTRICTED TO		
WEIGHT	A3	00779	5316464	-		
CUSTOMER DRAWING	SCALE 尺度	10:1	SHEET 2	OF 2	REV A	