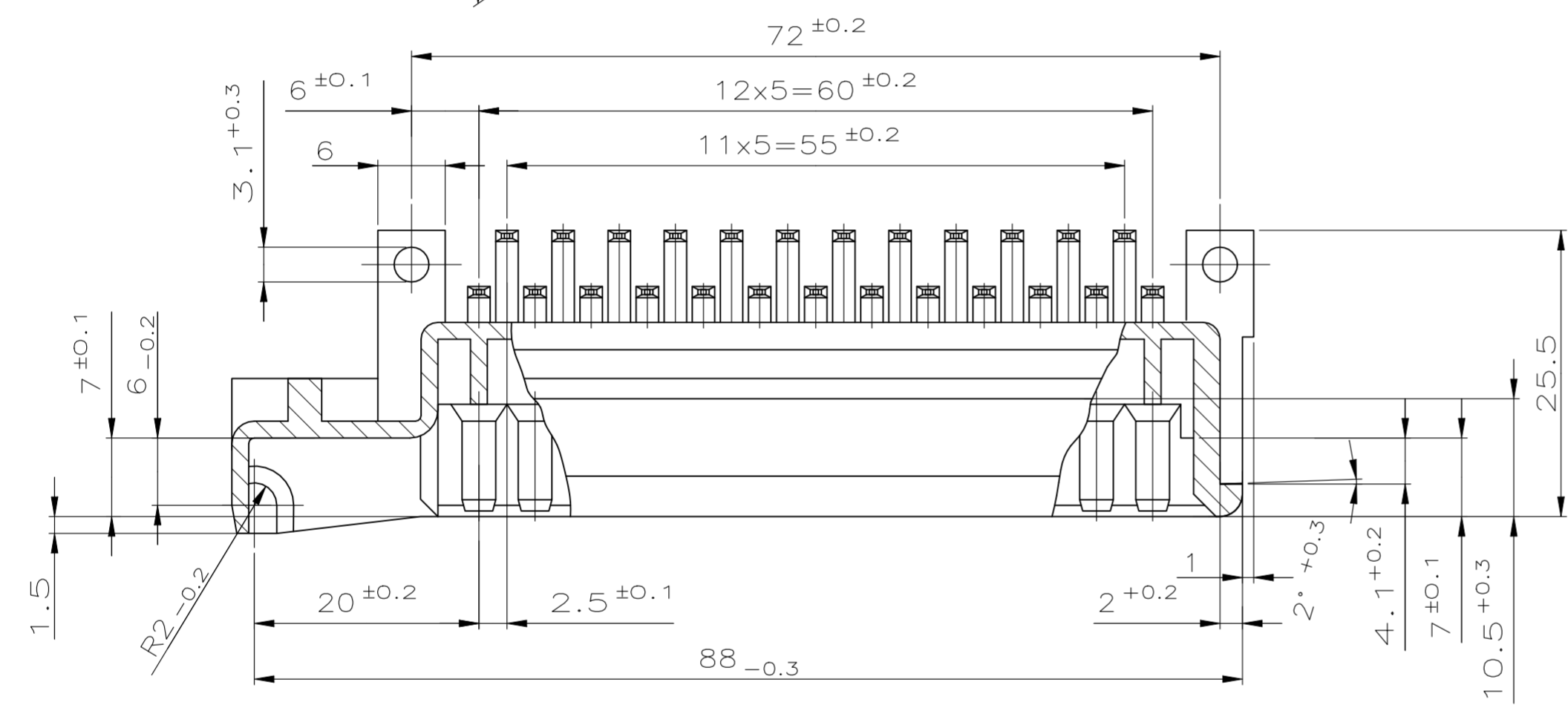
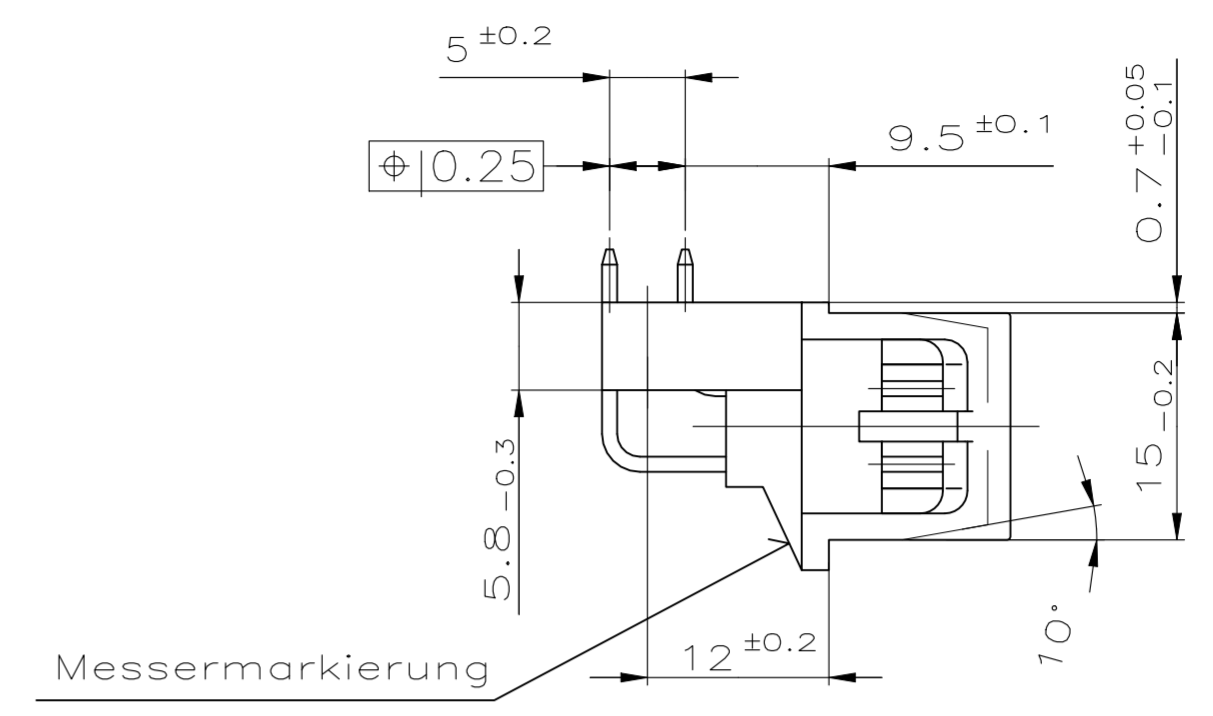
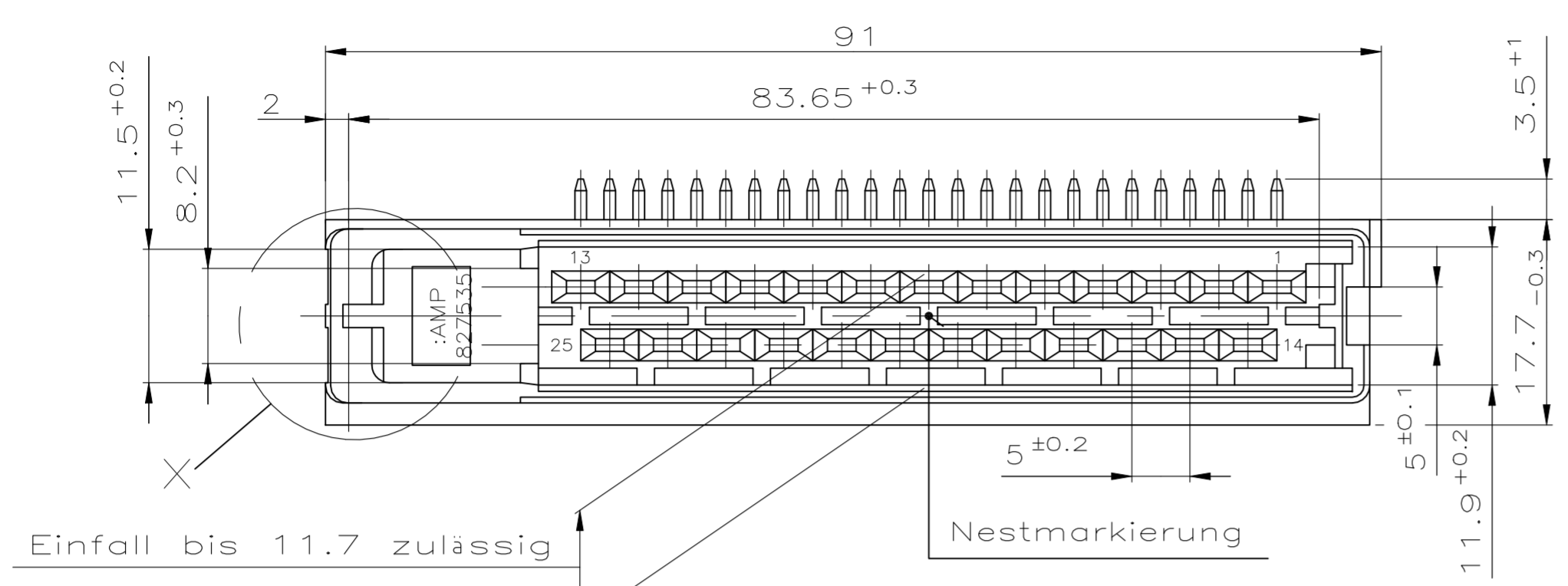


THIS INFORMATION IS CONFIDENTIAL AND PROPRIETARY TO TE CONNECTIVITY AND ITS WORLDWIDE SUBSIDIARIES AND AFFILIATES (TE). IT MAY NOT BE DISCLOSED TO ANYONE OTHER THAN THE PERSONS AUTHORIZED BY TE WITHOUT AUTHORIZATION FROM TE (www.Te.com).

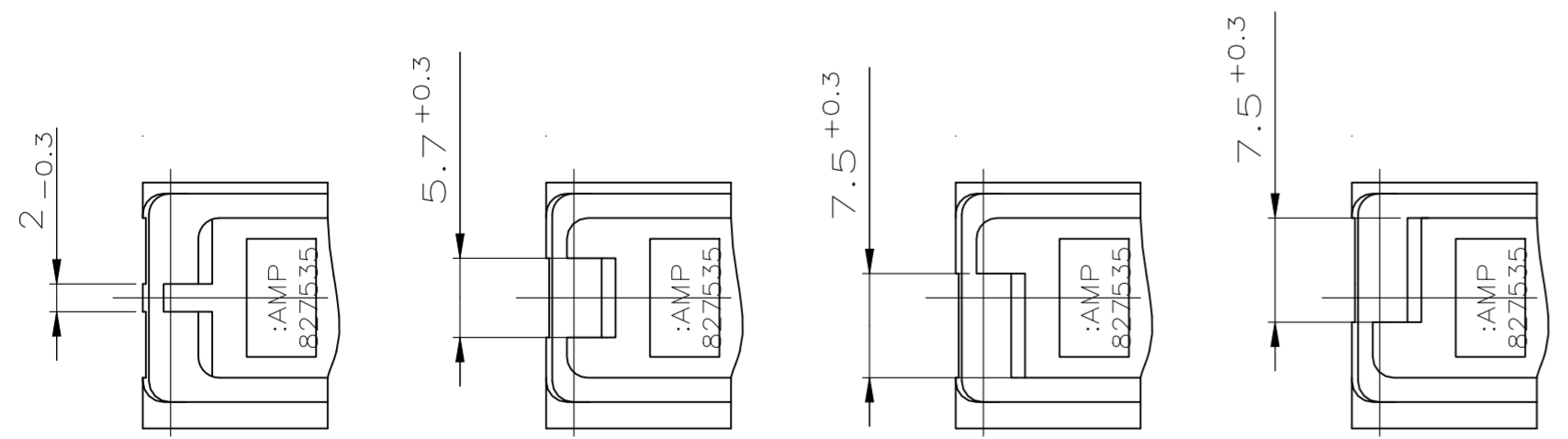
VERWENDET FÜR
THIS DRAWING IS A CONTROLLED DOCUMENT.
NUMMER DWG NO 827535

PASSEND ZU

USED ON



Kodierung – Einzelheit X



- 827535-1
- 827535-2
- 827535-3
- 827535-4
- 827535-5
- (F3) 827535-6
- (82-9545-2)
- 1-827535-2
- 1-827535-3
- (82-9545-3)
- 2-827535-2
- 2-827535-3
- 2-827535-4
- 82-9545-4

- (F6) **OBSELETE**
- OBSELETE**
- (F6) **OBSELETE**

Cu Zn HOT DIPPED	2-827535-4	PA 6.6 GV 13	blau
Cu Zn vorverzinkt	2-827535-3	PA 6.6 GV 13	gelb
Cu Zn verzinkt	2-827535-2	PA 6.6 GV 13	gelb
OBSELETE			
Cu Zn HOT DIPPED	1-827535-3	PA 6.6 GV 13	gelb
(F6) OBSELETE			
Cu Zn verzinkt	1-827535-2	PA 6.6 GV 13	gelb
Cu Zn vorverzinkt	0-827535-6	PA 6.6 GV 13	braun
Cu Zn vergoldet	0-827535-5	PA 6.6 GV 13	schwarz
Cu Sn4 vorverzinkt	0-827535-4	PA 6.6 GV 13	schwarz
Cu Zn vorverzinkt	0-827535-3	PA 6.6 GV 13	schwarz
Cu Zn verzinkt	0-827535-2	PA 6.6 GV 13	gelb
Cu Zn verzinkt	0-827535-1	PA 6.6 GV 13	schwarz
Messerwerkstoff Oberflaeche	BESTELL-NR.	WERKSTOFF	OBERFLAECHEN FARBE

DWN	18.01.83	MATERIAL	-	HEAT TREAT	-
F.PETTKE					
CHK	19.01.83				
R.ULLRICH					
APVD	-				
NAME		25 pol. Messerleiste mit 4fach Kodierung und Verrastung			
SCALE	2:1	SIZE	A2	DRAWING NO	827535
SHEET		1 OF 1		REV F6	

F6	ECR-22-132222	09MAR2022	MG	KK	
P	LTR	REVISION RECORD	DATE	DWN	APVD

DIMENSIONS:		TOLERANCES UNLESS OTHERWISE SPECIFIED:	
mm		0 PLC	± -
⌀		1 PLC	± -
∠		2 PLC	± 0.3mm
□		3 PLC	± -
□		4 PLC	± -
ANGLES ±		1.5°	
SURFACE TEXTURE		√	